

Manuals+

[Q & A](#) | [Deep Search](#) | [Upload](#)

Manuals.plus /

› [ECA](#) /

› ECA Flux Kitchen Sink Faucet User Manual

ECA 406218019

ECA Flux Kitchen Sink Faucet

Model: 406218019

1. INTRODUCTION

Thank you for choosing the ECA Flux Kitchen Sink Faucet. This manual provides essential information for the safe and efficient installation, operation, and maintenance of your new faucet. Please read this manual thoroughly before installation and keep it for future reference.

2. SAFETY INFORMATION

- Always turn off the main water supply before beginning any installation or maintenance work.
- Wear appropriate personal protective equipment (PPE) such as safety glasses and gloves during installation.
- If you are unsure about any part of the installation process, it is recommended to consult a qualified plumber.
- Do not use abrasive cleaners or harsh chemicals on the faucet's surface, as this may damage the finish.
- Ensure all connections are secure and leak-free before restoring water supply.

3. PACKAGE CONTENTS

Please check that all components are present before beginning installation. If any parts are missing or damaged, contact your retailer immediately.

- ECA Flux Kitchen Sink Faucet body
- Mounting hardware (nuts, washers, gaskets)
- Hot and cold water supply lines
- Installation manual (this document)



Figure 3.1: Overview of the ECA Flux Kitchen Sink Faucet, showcasing its modern design with a pull-down spray head and a single lever handle.

4. SETUP AND INSTALLATION

Tools Required: Adjustable wrench, Phillips screwdriver, plumber's putty or silicone sealant, basin wrench (optional).

1. **Prepare the Sink:** Ensure the sink hole is clean and free of debris. If replacing an old faucet, remove it and clean the area thoroughly.
2. **Install the Faucet:**
 - Place the faucet body into the sink hole.
 - From underneath the sink, slide the rubber gasket, metal washer, and mounting nut onto the threaded shank of the faucet.
 - Tighten the mounting nut securely with an adjustable wrench or basin wrench. Do not overtighten.

3. Connect Water Supply Lines:

- Connect the hot and cold water supply lines to the corresponding inlets on the faucet body. The hot water line is typically on the left, and the cold water line on the right.
- Connect the other ends of the supply lines to your hot and cold water shut-off valves. Ensure all connections are hand-tight, then tighten an additional quarter turn with a wrench.

4. Test for Leaks:

- Slowly turn on the main water supply.
- Check all connections for any signs of leaks. If leaks are present, tighten the connections slightly until they stop.
- Run water through the faucet for a few minutes to flush out any debris from the lines.

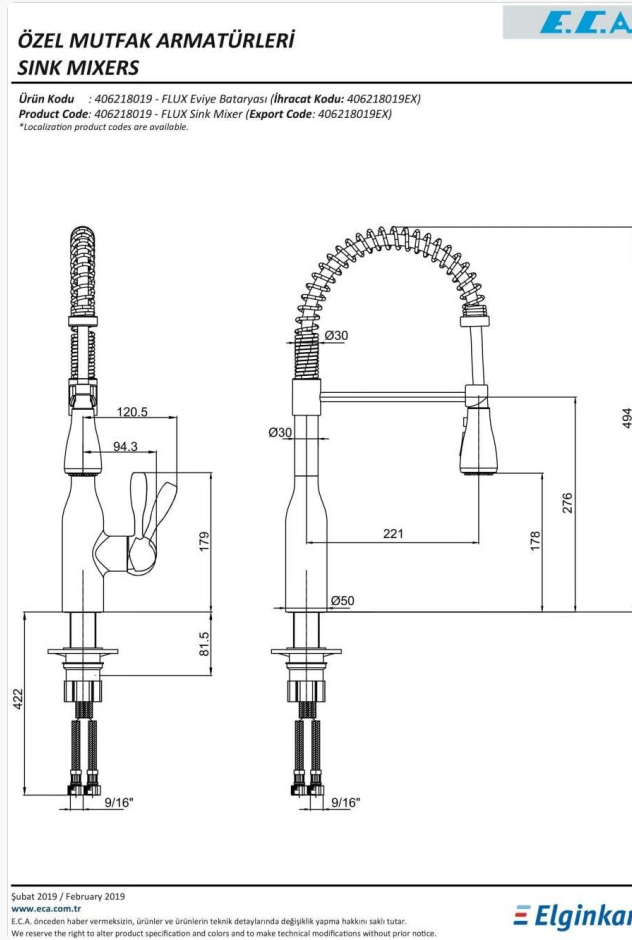


Figure 4.1: Detailed technical drawing of the ECA Flux Kitchen Sink Faucet, showing key dimensions in millimeters for installation planning and compatibility checks.

5. OPERATING INSTRUCTIONS

Your ECA Flux Kitchen Sink Faucet is designed for ease of use and durability.

- **Water Flow and Temperature:** The single lever handle controls both water flow and temperature.
 - Lift the handle upwards to increase water flow. Push it downwards to decrease or turn off the flow.
 - Move the handle to the left for hot water and to the right for cold water.
- **Spray Head Function:** The pull-down spray head offers versatile functionality.
 - Pull the spray head down from the spout to extend its reach.
 - Press the button on the spray head to switch between stream and spray modes.

- After use, gently guide the spray head back into the spout until it seats securely.

6. MAINTENANCE AND CARE

Proper care will ensure the longevity and appearance of your ECA Flux Faucet.

- **Cleaning the Finish:**

- Clean the faucet regularly with a soft cloth and mild soap and water.
- Rinse thoroughly with clean water and dry with a soft cloth to prevent water spots.
- **DO NOT** use abrasive cleaners, harsh chemicals, ammonia-based cleaners, or scouring pads, as these can damage the finish.

- **Cleaning the Aerator:** If water flow decreases, the aerator may be clogged.

- Unscrew the aerator from the tip of the spout.
- Rinse any debris from the screen. For stubborn mineral deposits, soak the aerator in a 50/50 solution of white vinegar and water.
- Reattach the aerator securely.

7. TROUBLESHOOTING

Before calling for service, please check the following common issues and solutions:

Problem	Possible Cause	Solution
Low water flow	Clogged aerator; partially closed shut-off valve; debris in supply line.	Clean aerator (see Section 6); ensure shut-off valves are fully open; flush supply lines.
Leaking at base of faucet	Loose mounting nut; worn gasket.	Tighten mounting nut (do not overtighten); replace gasket if damaged.
Leaking from spout	Worn cartridge.	Contact customer support for a replacement cartridge.
Water temperature issues	Incorrect supply line connection; water heater issues.	Verify hot/cold lines are connected correctly; check water heater settings.

8. SPECIFICATIONS

Refer to Figure 4.1 for a visual representation of the dimensions.

Feature	Detail
Model Number	406218019
Brand	ECA
Product Type	Kitchen Sink Faucet / Mixer
Material	(Not specified, typically brass with various finishes)

Feature	Detail
Finish	(Looks like brushed nickel/stainless steel from image)
Overall Height	Approx. 494 mm (from Figure 4.1)
Spout Reach	Approx. 221 mm (from Figure 4.1)
Mounting Hole Diameter	Approx. Ø30 mm (from Figure 4.1)
First Available Date	December 14, 2020

9. WARRANTY AND SUPPORT

ECA stands behind the quality of its products. This ECA Flux Kitchen Sink Faucet comes with a **20-Year Warranty**, ensuring peace of mind regarding its durability and performance.

For warranty claims, technical support, or to order replacement parts, please contact your retailer or visit the official ECA website. Please have your model number (406218019) and proof of purchase ready when contacting support.

Official Website: www.eca.com.tr

