

[Manuals.plus](#) /

> [OVE Decors](#) /

> OVE Decors Carran 60-inch Double Undermount Sink Bathroom Vanity Instruction Manual

OVE Decors Carran 60"

OVE Decors Carran 60-inch Double Undermount Sink Bathroom Vanity Instruction Manual

Model: Carran 60" | Brand: OVE Decors

SAFETY INFORMATION

Important: Read all instructions before assembly and installation. Failure to follow these instructions may result in product damage, property damage, or personal injury.

WARNING: This product may tip over if not properly installed. Follow assembly instructions carefully to ensure stability. Keep away from children during assembly.

Always use appropriate safety equipment (e.g., safety glasses, gloves) during installation.

Ensure all plumbing and electrical connections are performed by a qualified professional if required.

PRODUCT OVERVIEW

The OVE Decors Carran 60-inch Double Undermount Sink Bathroom Vanity is a pre-assembled unit designed for indoor bathroom use. It features a durable wood construction with a Wax Pine finish, a cultured marble countertop, and two undermount ceramic sinks. The vanity includes multiple storage options, such as drawers and an open shelf.



Image: Front view of the OVE Decors Carran 60-inch Double Undermount Sink Bathroom Vanity, showcasing its Wax Pine finish, white cultured marble countertop with two integrated sinks, black hardware on drawers, and an open bottom shelf.

INCLUDED COMPONENTS

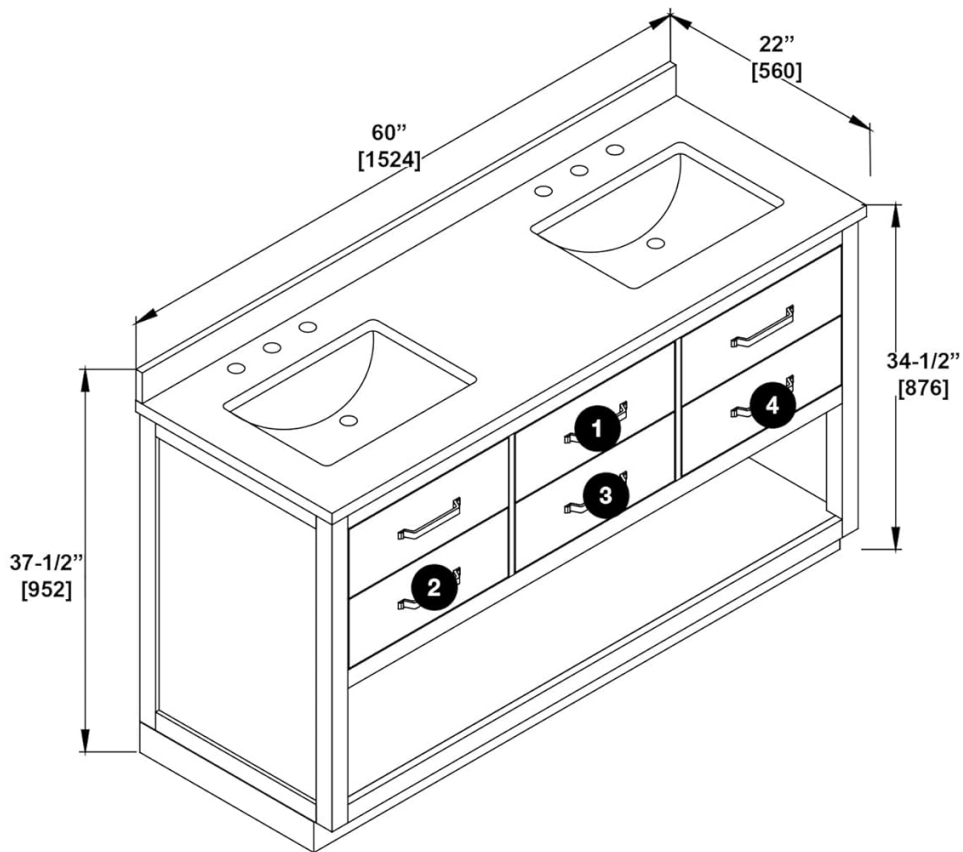
- Vanity Cabinet (Pre-assembled)
- Cultured Marble Countertop (Integrated with 2 Basins)
- Backsplash
- Hardware (Drawer pulls)
- Hidden Leveling Feet

Note: Faucets and drain assemblies are not included and must be purchased separately.

SPECIFICATIONS

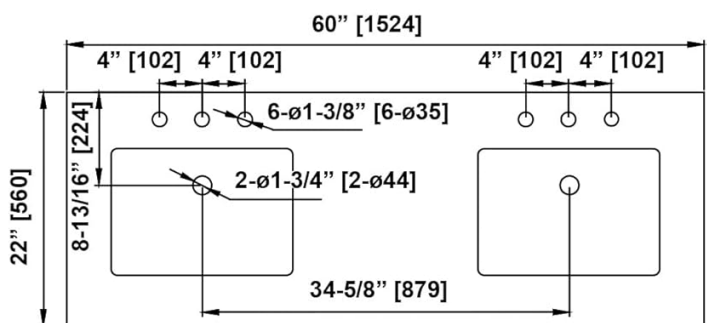
Feature	Detail
Brand	OVE Decors

Model Number	Carran 60"
Dimensions (D x W x H)	22.05" x 60" x 34.49"
Material	Wood
Finish	Wax Pine
Countertop Material	Cultured Marble
Sink Type	Double Undermount Ceramic
Number of Drawers	6 (2 tilt-down, 4 regular)
Installation Type	Freestanding
Mounting Type	Floor Mount
Item Weight	251.3 Pounds
Recommended Use	Indoor Bathroom



- 1 W= 17.4" L= 15.9" D= 4.6"
- 2 W= 17.4" L= 15.9" D= 4.6"
- 3 W= 17.4" L= 15.9" D= 4.6"
- 4 W= 17.4" L= 15.9" D= 4.6"

Drawer Dimensions



Top View

Image: Detailed dimensional drawing of the vanity, including measurements for overall size, sink placement, and individual drawer dimensions.

INSTALLATION

Pre-Assembly Checks

- Inspect all components for damage before beginning installation.
- Ensure you have all necessary tools and additional plumbing supplies (faucets, drain assemblies, sealant) not included with the vanity.
- Verify the installation area is level and structurally sound to support the vanity's weight (251.3 lbs).

Placement and Leveling

1. Carefully position the pre-assembled vanity cabinet in its desired location.
2. Utilize the hidden leveling feet located behind the toe-kick to adjust the vanity for uneven floor surfaces. Rotate the feet clockwise or counter-clockwise until the vanity is stable and level.

Plumbing Connections

The vanity features an oversized back opening to facilitate plumbing connections.



Oversized Back Opening

Large cutouts provide easy access to plumbing.

Image: View of the vanity's back panel, highlighting the generous cutouts designed for easy access to plumbing pipes and connections.

1. Connect the water supply lines and drain pipes to the installed faucets and sinks. Ensure all connections are secure and watertight.

2. Apply silicone caulk as needed to seal the countertop and backsplash to the wall and vanity cabinet, preventing water infiltration.

Backsplash Installation

1. Position the included backsplash against the wall at the rear of the countertop.
2. Secure the backsplash using appropriate adhesive or caulk (not included) to create a seamless and waterproof seal.

Your browser does not support the video tag.

Video: An official OVE Decors video showcasing various bathroom products, including vanities, tubs, and showers, demonstrating the brand's range and design philosophy. This video provides a general overview of OVE Decors products and may offer visual context for vanity installation and features.

OPERATION

Drawer Functionality

The vanity is equipped with 6 drawers: 2 tilt-down drawers and 4 regular drawers.



+

Plenty of Storage Space

4 smooth gliding drawers and 2 tilt-down drawers provide easy access to daily essentials.

Image: Drawers of the vanity pulled open, revealing internal compartments and ample storage space for

- **Soft-Closing Mechanism:** All drawers feature a soft-closing mechanism to prevent slamming and ensure quiet, effortless operation.
- **Tilt-Down Drawers:** The two top drawers are designed to tilt down, providing convenient access to smaller items.
- **Regular Drawers:** The four bottom drawers offer full extension for maximum storage and easy access to contents.



Soft-Closing Mechanism

Specialty soft-close mechanism prevents slamming and offers effortless opening and closing.

Image: A close-up view illustrating the soft-closing feature of the vanity drawers, ensuring gentle and quiet operation.



Image: A detailed view of one of the tilt-down drawers, open to show its design for quick access to small items.

Open Shelf

The vanity includes a spacious open bottom shelf, ideal for storing towels, toiletries, or decorative baskets.



Open Shelf

A farmhouse inspired open bottom shelf is ideal for stashing towels, toiletries and baskets.

Image: The open bottom shelf of the vanity, demonstrating its capacity for storing towels and other bathroom items in an accessible manner.

MAINTENANCE AND CARE

General Cleaning

- For daily cleaning, wipe surfaces with a soft, damp cloth.
- Avoid abrasive cleaners, harsh chemicals, or scouring pads, as these can damage the finish and countertop.
- Promptly wipe up spills to prevent staining, especially on the cultured marble countertop.

Countertop Care

The premium engineered marble countertop is designed for durability and to maintain its glossy shine.



Premium Engineered Marble Countertop

The superb quality of this material will keep its glossy shine for years to come.



Image: A detailed shot of the cultured marble countertop, emphasizing its smooth texture and quality finish.

- Use mild soap and water for cleaning.
- Do not place hot items directly on the countertop without protection.
- Avoid contact with strong acids, alkalis, or solvents.

Wood Finish Care

The Wax Pine wood finish is durable.



MetalGuard™

Keep your hardware shiny and spotless for years to come.



Durable Finishes

Available in Wax Pine and Pure White. Built for present-day bathroom needs.

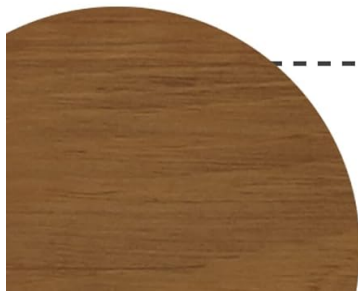
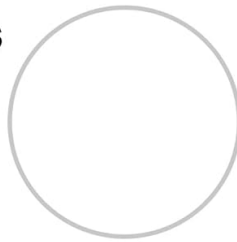


Image: A close-up showing the texture of the Wax Pine wood finish and the black MetalGuard hardware, indicating durable construction.

- Wipe wood surfaces with a soft, dry cloth.
- For deeper cleaning, use a wood-safe cleaner as directed by the product manufacturer.
- Avoid excessive moisture.

Hardware Care

The MetalGuard™ hardware is designed to maintain its appearance.

- Clean hardware with a soft, damp cloth.
- Do not use abrasive cleaners or polishes that could damage the finish.

TROUBLESHOOTING

Drawers Not Closing Smoothly

- Check for obstructions in the drawer slides.
- Ensure the vanity is level. Adjust leveling feet if necessary.
- Verify that the soft-closing mechanism is not damaged or misaligned.

Leaks from Plumbing Connections

- Turn off the water supply immediately.
- Inspect all connections for proper tightening and sealant application.
- If the issue persists, consult a qualified plumber.

Vanity Not Stable

- Re-check and adjust the hidden leveling feet to ensure all corners are firmly supported and the vanity is stable on the floor.
- Ensure the vanity is properly secured to the wall if applicable.

WARRANTY AND SUPPORT

This OVE Decors product is covered by a 1-year limited manufacturer warranty.

For warranty claims, technical assistance, or replacement parts, please contact OVE Decors customer support.

Contact Information: Refer to the original purchase documentation or visit the OVE Decors official website for current contact details.