

Manuals+

[Q & A](#) | [Deep Search](#) | [Upload](#)

[manuals.plus](#) /

› [Nagaoka](#) /

› [NAGAOKA JEWELTONE MM Series JT-80LB Record Stylus Instruction Manual](#)

Nagaoka JT-80LB

NAGAOKA JEWELTONE MM Series JT-80LB Record Stylus

PRODUCT INSTRUCTION MANUAL

Introduction

This manual provides essential information for the proper setup, operation, and maintenance of your NAGAOKA JEWELTONE MM Series JT-80LB Record Stylus. Please read these instructions carefully before use to ensure optimal performance and longevity of your product.

The NAGAOKA JEWELTONE MM Series JT-80LB is a moving magnet type (MM type) cartridge featuring an aluminum cantilever and a diamond bonding oval needle. It is designed to deliver a wide range of powerful sounds with high cost performance.

Product Overview



Figure 1: NAGAOKA JEWELTONE MM Series JT-80LB Record Stylus. This image shows the cartridge with its blue stylus assembly.

The JT-80LB stylus is engineered for precise tracking and sound reproduction. Its robust construction ensures durability and consistent audio quality.

Setup

1. Unpacking and Inspection

- Carefully remove the cartridge and stylus from its packaging.
- Inspect for any visible damage. If damaged, do not proceed with installation and contact your retailer.
- Ensure all included components (cartridge, stylus) are present.

2. Mounting the Cartridge

Mount the JT-80LB cartridge to your turntable's headshell using the provided screws and nuts. Ensure a secure fit without overtightening.

外觀寸法図 / Dimensions

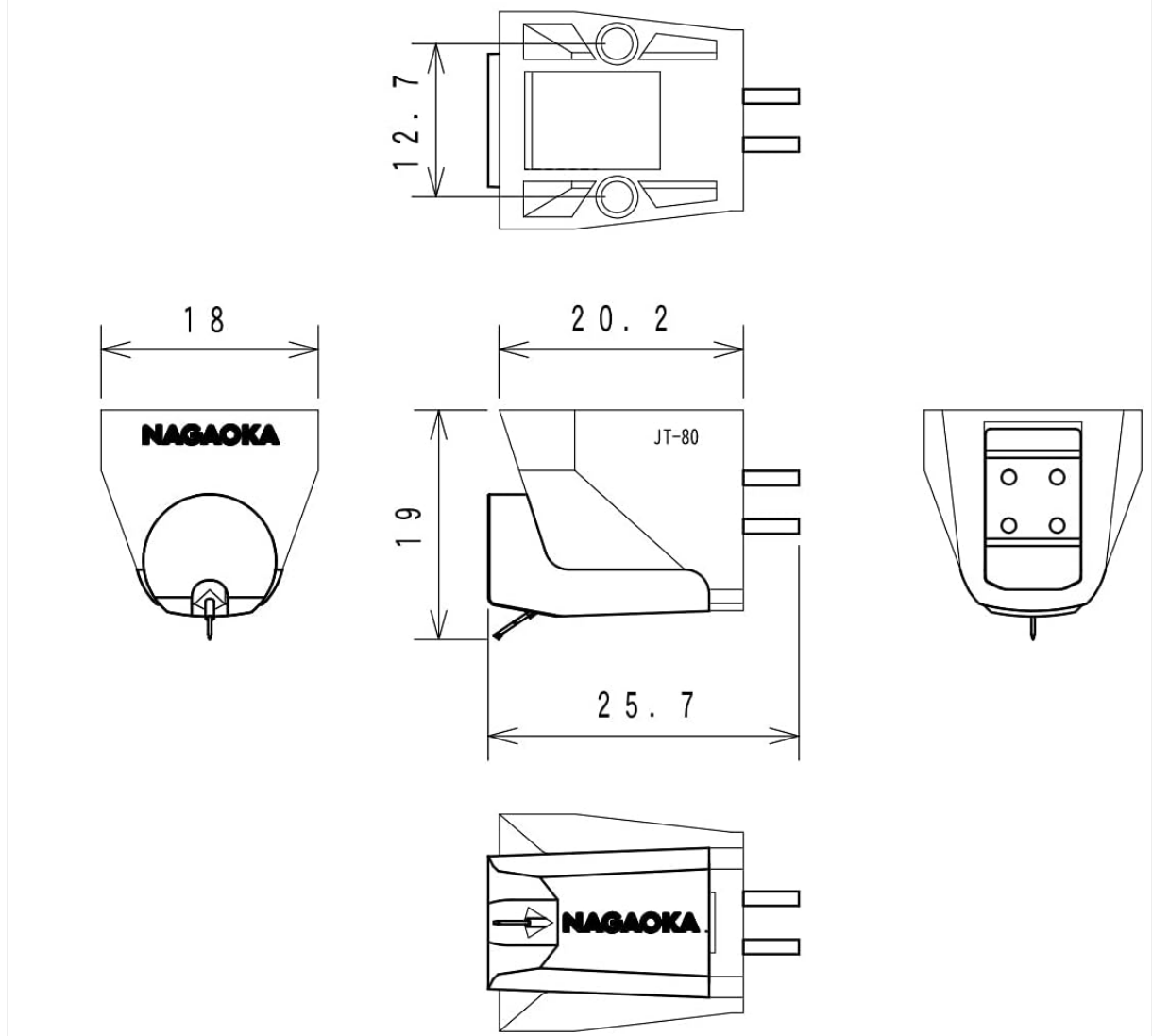


Figure 2: The NAGAOKA JT-80LB cartridge, ready for installation onto a tonearm headshell.

3. Wiring Connections

Connect the four color-coded wires from your tonearm to the corresponding pins on the back of the cartridge. Refer to your turntable's manual for specific wiring instructions if needed.

- Red (R+): Right channel hot
- Green (R-): Right channel ground
- White (L+): Left channel hot
- Blue (L-): Left channel ground

4. Alignment and Tracking Force

Accurate alignment and tracking force are crucial for optimal sound quality and to prevent record wear. Use a protractor for cartridge alignment and a stylus force gauge for tracking force adjustment.

- **Recommended Tracking Force:** 1.3 - 1.8 grams (0.04 - 0.06 oz)
- **Cantilever:** Aluminum Alloy
- **Needle Tip:** 0.4 x 0.7 mil Oval Joint Diamond

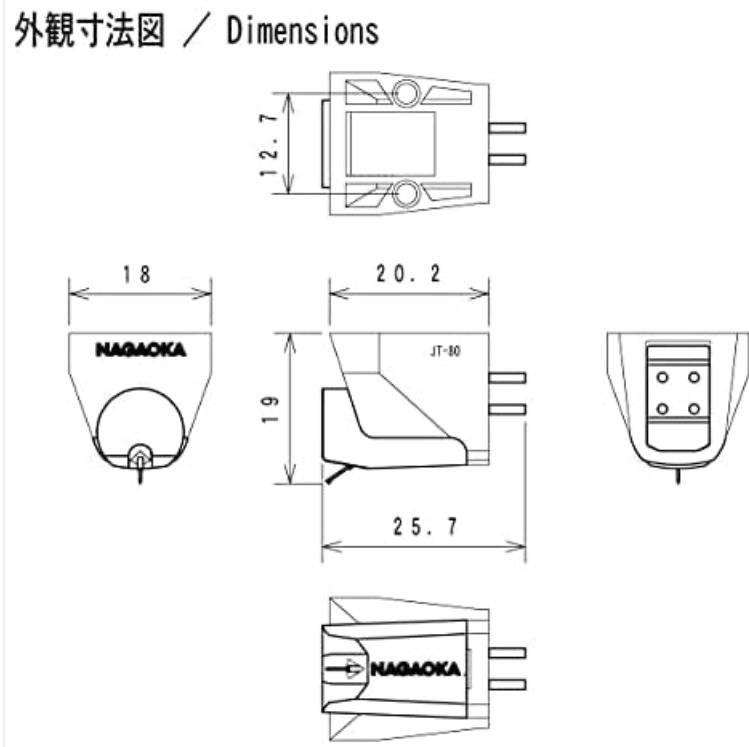


Figure 3: Dimensions of the NAGAOKA JT-80LB cartridge for precise mounting and alignment.

Operating Instructions

1. **Placing the Record:** Carefully place your vinyl record on the turntable platter.
2. **Starting Playback:** Gently lower the tonearm, allowing the stylus to settle into the record's lead-in groove. Avoid dropping the tonearm abruptly.
3. **During Playback:** Ensure the turntable is stable and free from vibrations. Do not touch the tonearm or stylus during playback.
4. **Ending Playback:** Use the tonearm lift mechanism to raise the stylus from the record. Return the tonearm to its rest.

For optimal sound, ensure your records are clean and free of dust before each play.

Maintenance

1. Stylus Cleaning

Regular cleaning of the stylus is essential to maintain sound quality and prevent damage to your records. Use a soft stylus brush and a recommended cleaning fluid.

- Brush the stylus gently from back to front (from the pivot point towards the tip).
- Never brush from side to side or front to back, as this can damage the cantilever.
- Clean the stylus before or after each listening session.

2. Cartridge Care

Keep the cartridge body clean and free of dust. Avoid touching the cantilever or stylus tip with your fingers. When not in use, always engage the stylus guard to protect the delicate stylus assembly.

Troubleshooting

Problem	Possible Cause	Solution
Poor sound quality / Distortion	Dirty stylus, incorrect tracking force, improper alignment, worn stylus.	Clean stylus, adjust tracking force, re-align cartridge, replace stylus if worn.
Skipping / Jumping grooves	Incorrect tracking force, damaged record, dirty stylus, turntable not level.	Adjust tracking force, clean record, clean stylus, ensure turntable is level.
No sound from one channel	Loose wiring connection, damaged cartridge/stylus.	Check and secure wiring connections, inspect cartridge/stylus for damage.

Specifications

- **Format:** Moving magnet type (MM type)
- **Output:** 5.0 mV (5 cm/sec)
- **Frequency Response:** 20Hz-20,000Hz
- **Channel Separation:** 23dB (1Khz)
- **Channel Balance:** Less Than 1.5dB
- **Cantilever:** Aluminum Alloy
- **Needle Tip:** 0.4 x 0.7 mil Oval Joint Diamond
- **Needle Pressure (Tracking Force):** 1.3 - 1.8 g (0.04 - 0.06 oz)
- **Cartridge Weight:** 6.9 g (0.2 oz)
- **Material:** Aluminum
- **Compatible Devices:** NAGAOKA turntables and compatible tonearms
- **Item Model Number:** JT-80LB

About Nagaoka Needles

Nagaoka has a rich history in producing high-quality record player needles. Their commitment to precision and craftsmanship ensures exceptional audio experiences.

Your browser does not support the video tag.

Video 1: "Nagaoka _ The Documentary" provides insight into the manufacturing process and history of Nagaoka record player needles. This video is provided by Nagaoka Trading JP.

Warranty and Support

For warranty information and customer support regarding your NAGAOKA JEWELTONE MM Series JT-80LB Record Stylus, please refer to the documentation included with your purchase or contact the retailer directly. You may also visit the official Nagaoka website for further assistance.

Keep your proof of purchase for any warranty claims.