

Manuals+

[Q & A](#) | [Deep Search](#) | [Upload](#)

manuals.plus /

› [KKT KOLBE](#) /

› [KKT KOLBE 60 cm Induction Hob IH85904FZ Instruction Manual](#)

KKT KOLBE IH85904FZ

KKT KOLBE 60 cm Induction Hob IH85904FZ Instruction Manual

Model: IH85904FZ

1. INTRODUCTION

This manual provides essential information for the safe and efficient operation of your KKT KOLBE IH85904FZ 60 cm induction hob. Please read these instructions carefully before installation and use, and keep them for future reference.

The KKT KOLBE IH85904FZ induction hob features a high-quality Superkeramik glass ceramic surface, offering four cooking zones, including two flexible zones for versatile cookware placement. It operates with a total power of 8.2 kW and includes nine power levels, a booster function for rapid heating, an automatic timer, and a child lock for safety.



Figure 1: KKT KOLBE IH85904FZ Induction Hob in a kitchen setting.



Figure 2: Flexible cooking zones in use on the IH85904FZ hob.

2. SAFETY INSTRUCTIONS

- Read all instructions before using the appliance.
- Ensure the appliance is correctly installed and grounded by a qualified technician.
- Do not touch hot surfaces. Use handles or knobs.
- Never leave the hob unattended during operation, especially when cooking with oil or fat.
- Use only induction-compatible cookware.
- Keep children away from the hob during operation and while it is cooling down.
- Do not place metallic objects such as knives, forks, spoons, or lids on the hob surface as they can become hot.
- Ensure adequate ventilation around the appliance as described in the installation section.
- In case of a crack in the glass ceramic surface, immediately switch off the appliance and disconnect it from the power supply to avoid electric shock.

3. INSTALLATION

3.1 General Requirements

The KKT KOLBE IH85904FZ induction hob is a self-sufficient appliance, meaning it can be installed independently of other kitchen appliances. Installation should be performed by a qualified professional in accordance with local regulations and standards.

3.2 Dimensions and Cutout

The hob has a width of 59 cm. Before cutting the countertop, verify that the provided dimensions match the product dimensions. The product dimensions are approximately 52 cm (depth) x 60 cm (width) x 5.8 cm (height).



Figure 3: Installation steps for the induction hob.

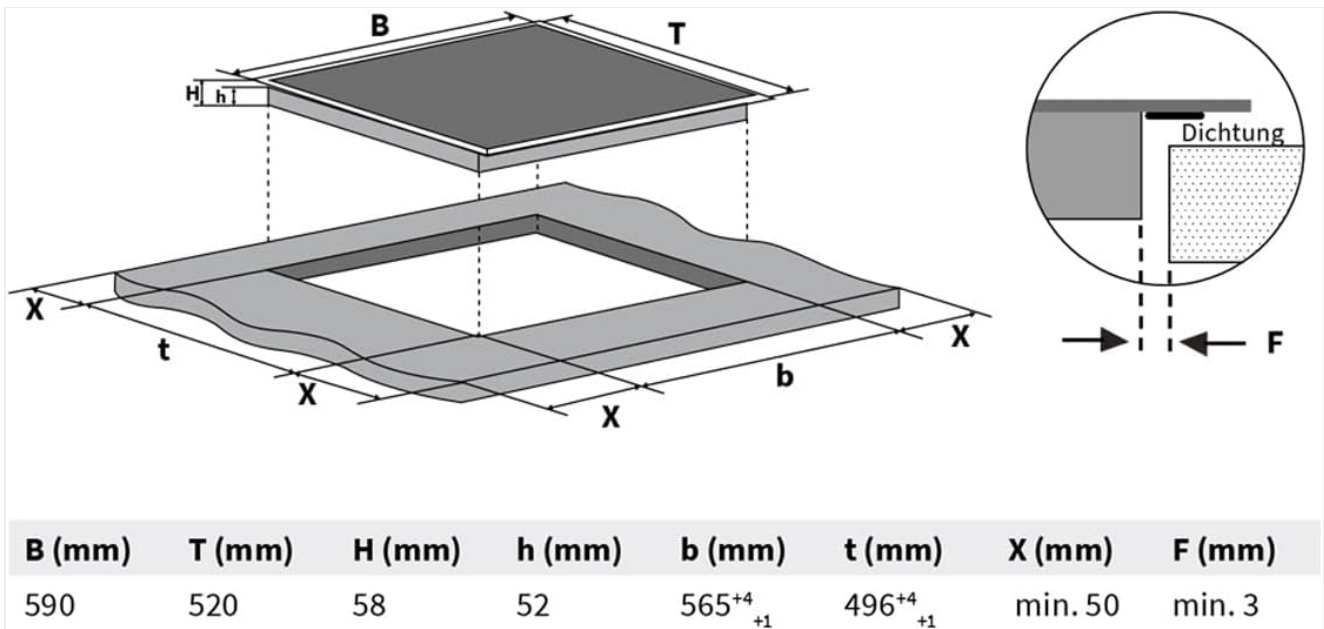


Figure 4: Hob dimensions and cutout requirements.

3.3 Ventilation Requirements

Proper air circulation is crucial for the induction coils' cooling. An air gap of approximately 5 cm must be available below the hob. Additionally, a gap of 5 mm x 560 mm must be present at the front, between the countertop and the oven cover/door. If a wooden crossbar is present in the cabinet below, it must be removed to ensure adequate airflow.

Bitte beachten Sie die Luftzirkulationsskizze:

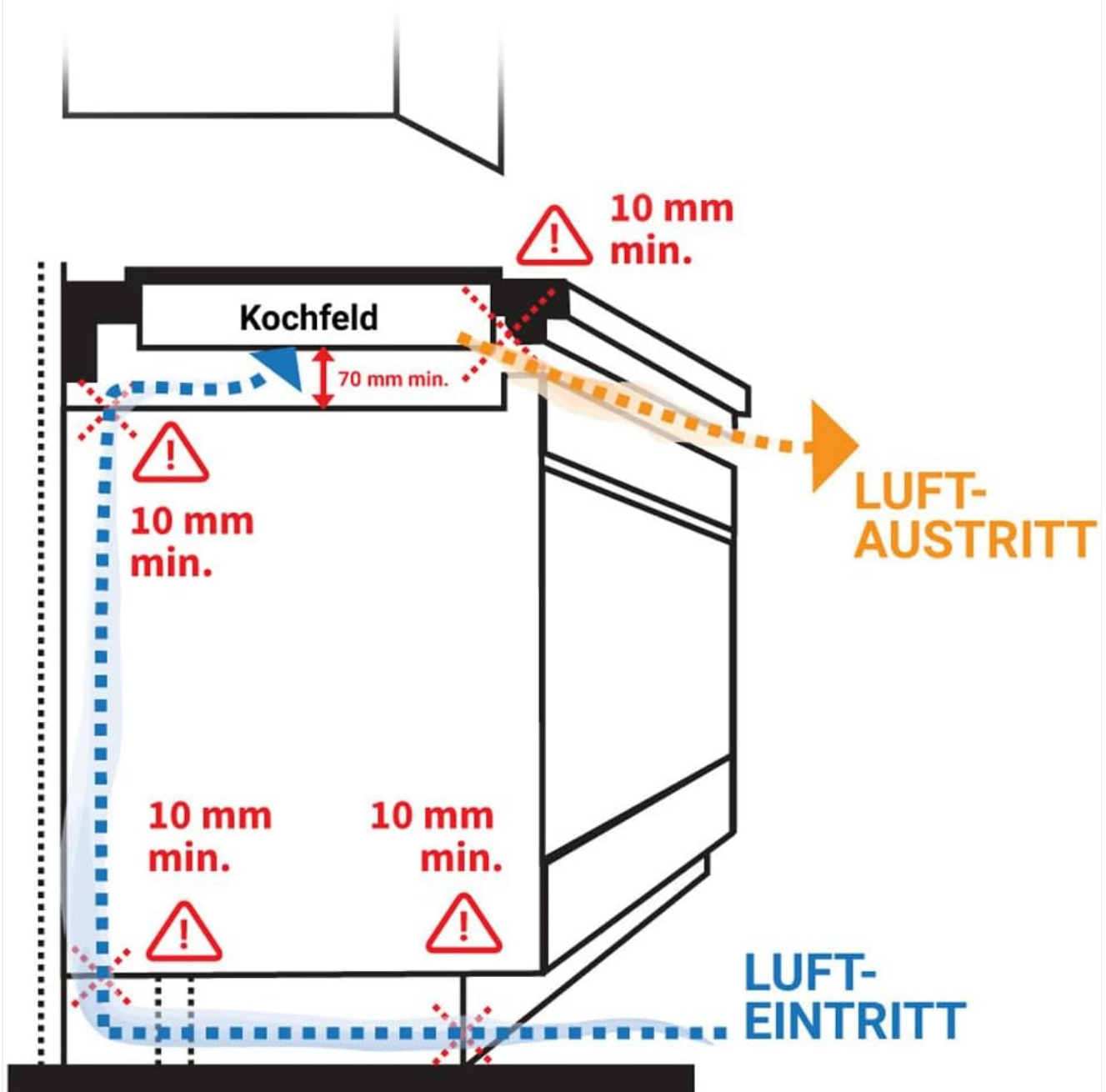


Figure 5: Air circulation diagram for installation.

4. OPERATING INSTRUCTIONS

4.1 Control Panel

The hob is operated using TouchSelect touch controls. The slider on the control panel allows for quick adjustment of power levels from 1 to 9.



Figure 6: Overview of the control panel features.

4.2 Flexible Zones

The IH85904FZ features two flexible zones, allowing you to place larger pots and pans across multiple heating elements. This ensures efficient and even heating for various cookware sizes.

4.3 Booster Function

The integrated booster function provides very rapid heating for individual cooking zones, quickly bringing contents to a boil or heating pans to high temperatures.

4.4 Timer Function

The timer function allows you to set a specific cooking duration for each zone. Once the set time expires, the cooking zone will automatically switch off.

4.5 Child Lock

The appliance is equipped with a child lock to prevent accidental operation. Refer to the detailed operating instructions for activation and deactivation procedures.

4.6 Automatic Pot Detection

If no suitable cookware is detected on a cooking zone, the hob will automatically switch off for safety and energy efficiency.

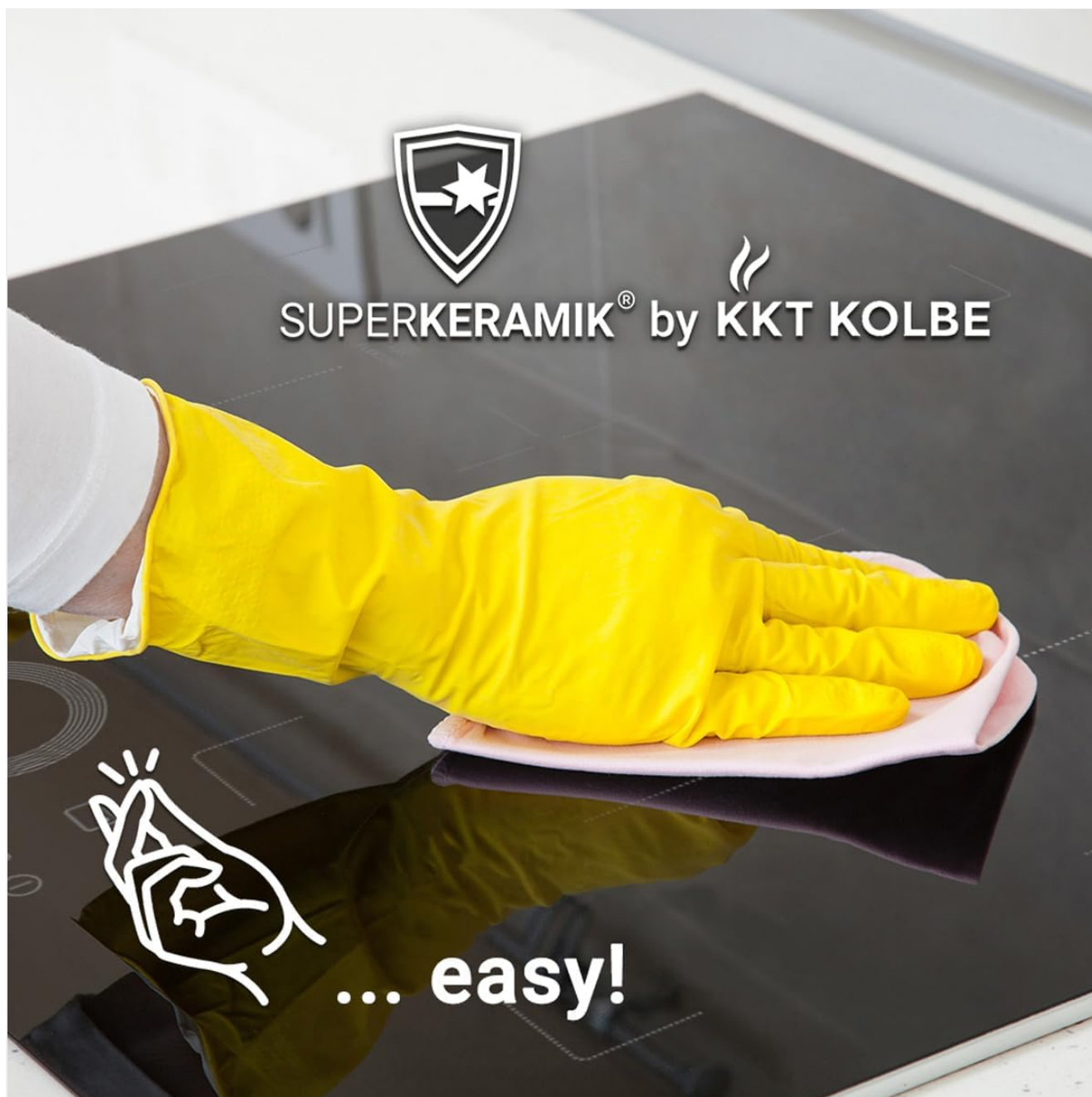


Figure 7: Onboard safety features of the induction hob.

Your browser does not support the video tag.

Video 1: Product presentation of the KKT KOLBE IH85904FZ induction hob. A presenter demonstrates the hob's features, including the flexible zones, power levels, slider control, child lock, timer, and booster function. The video highlights the ease of use and the advanced functionalities of the hob.

5. MAINTENANCE AND CLEANING

The high-quality Superkeramik glass ceramic surface is designed for easy cleaning. To maintain its appearance and functionality:

- Always allow the hob to cool down before cleaning.
- Use a soft cloth or sponge with a mild detergent.

- For stubborn stains, use a specialized ceramic hob cleaner.
- Avoid abrasive cleaners, scouring pads, or harsh chemicals that can scratch or damage the surface.
- Wipe up spills immediately to prevent them from baking onto the surface.

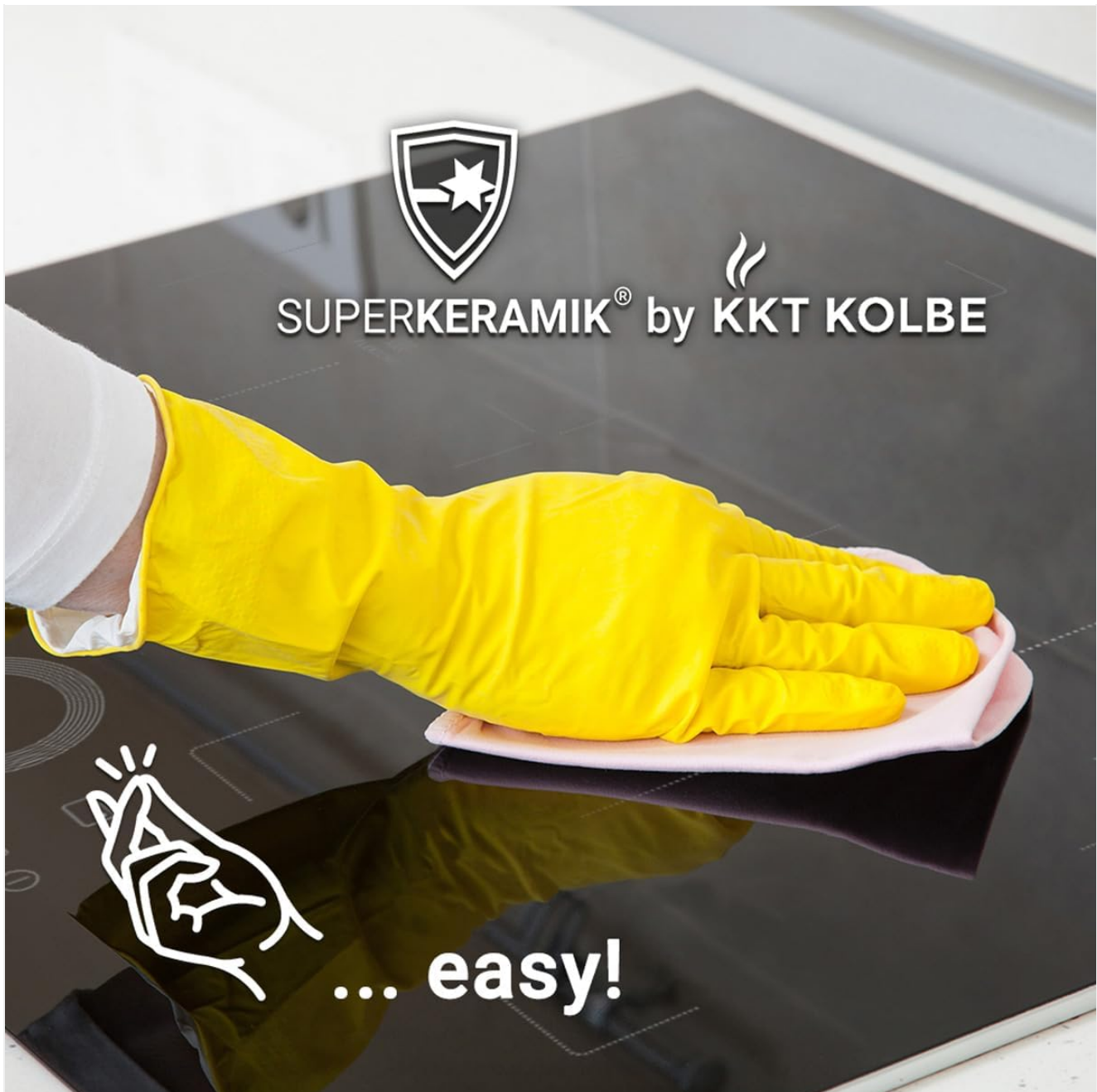


Figure 8: Cleaning the Superkeramik surface.

6. TROUBLESHOOTING

If you encounter issues with your induction hob, refer to the following common problems and solutions:

Problem	Possible Cause	Solution
Hob does not turn on	No power supply; Child lock activated	Check power connection; Deactivate child lock
Cooking zone not heating	Cookware not induction-compatible; Pot not centered; Automatic pot detection activated	Use suitable cookware; Reposition pot; Ensure pot is on the zone

Problem	Possible Cause	Solution
Display shows an error code	Specific internal error	Consult the full user manual for specific error codes or contact customer support.
Unusual noise during operation	Normal operation of induction technology or cooling fan	This is usually normal. If noise is excessive or unusual, contact support.

For more detailed troubleshooting or issues not listed here, please refer to the complete user manual or contact KKT KOLBE customer support.

7. SPECIFICATIONS

Feature	Specification
Brand	KKT KOLBE
Model	IH85904FZ
Product Dimensions (D x W x H)	52 x 60 x 5.8 cm
Weight	8.8 kg
Installation Type	Built-in
Special Features	Timer, Touch Panel, Flexible Zones, Booster, Child Lock
Burner Type	Induction
Number of Heating Elements	4
Voltage	240 Volts
Wattage	8200 W
Fuel Type	Electric
Surface Material	Tempered Glass (Superkeramik glass ceramic)
Included Components	BBQ function, standard grill plate (for induction), child lock

8. WARRANTY AND SUPPORT

KKT KOLBE is committed to providing high-quality kitchen appliances. All products undergo rigorous quality controls. Should any issues arise, KKT KOLBE offers repair services and customer support.

For assistance, technical support, or warranty claims, please contact KKT KOLBE customer service. Details can typically be found on the manufacturer's official website or through your point of purchase.

