

## Monzana 108622

# MONZANA Stainless Steel Stair Handrail 150 cm Instruction Manual

## 1. PRODUCT OVERVIEW

---

Thank you for choosing the MONZANA Stainless Steel Stair Handrail. This handrail is designed for both indoor and outdoor use, offering robust and stable support. Constructed from high-quality stainless steel, it is weather-resistant and suitable for various environments, including gardens, home entrances, hallways, and stairwells.

The handrail provides essential support, particularly beneficial for children, the elderly, or anyone requiring assistance when ascending or descending stairs.



Image 1.1: MONZANA Stainless Steel Stair Handrail in an outdoor setting.

## 2. SAFETY INSTRUCTIONS

---

- Always wear appropriate safety gear, including gloves and eye protection, during installation.
- Ensure the mounting surface is structurally sound and capable of supporting the handrail and anticipated loads.
- Use appropriate mounting hardware for your specific wall or floor material (mounting hardware is not included).
- Keep children and pets away from the installation area.
- Regularly inspect the handrail for any signs of wear, damage, or loose fixings. Tighten as necessary.

## 3. PACKAGE CONTENTS

---

Please verify that all components are present before beginning installation:

- 1 x MONZANA Stainless Steel Stair Handrail (150 cm, without crossbars)
- Assembly instructions

**Note: Mounting hardware (screws, anchors, etc.) is NOT included and must be purchased**

separately based on your installation surface.

## 4. INSTALLATION

---

The handrail features an adjustable joint mechanism on the handrail support, allowing it to be individually adapted to any stair inclination. The mounting supports are designed for easy assembly, and a cover conceals the screws for a clean finish.

### 4.1 Tools Required (Not Included)

- Drill
- Drill bits suitable for your mounting surface
- Measuring tape
- Pencil or marker
- Level
- Wrench or screwdriver (depending on mounting hardware)

### 4.2 Installation Steps

1. **Plan Placement:** Determine the desired height and angle for your handrail. Use a level and measuring tape to mark the positions for the mounting supports on your wall or floor. Refer to the dimensions diagram for guidance.
2. **Drill Holes:** Drill pilot holes at the marked locations using the appropriate drill bit for your chosen mounting hardware.
3. **Secure Supports:** Attach the mounting supports to the wall or floor using suitable screws and anchors (not included). Ensure they are firmly secured.
4. **Attach Handrail:** Place the handrail onto the supports. The adjustable joint allows you to set the desired angle. Secure the handrail to the supports.
5. **Conceal Fixings:** Once the handrail is securely in place and adjusted, attach the decorative covers over the mounting points to hide the screws.
6. **Final Check:** Gently test the handrail to ensure it is stable and securely fastened before regular use.

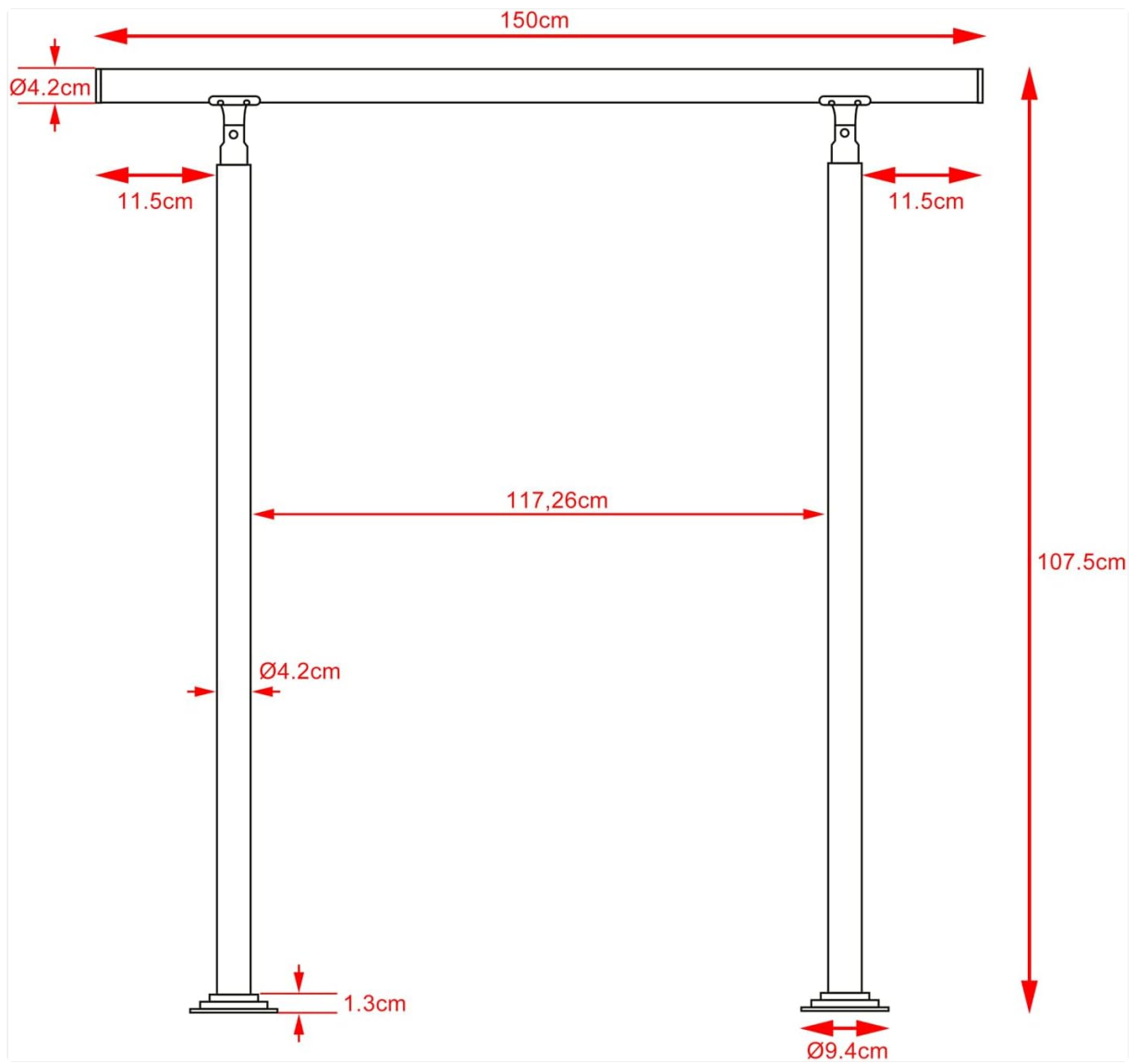


Image 4.1: Dimensional drawing of the 150 cm handrail.



Image 4.2: Detail of the adjustable joint for angle customization.



Image 4.3: Detail of the handrail base plate for secure floor/wall mounting.

## 5. USAGE

---

The MONZANA Stainless Steel Stair Handrail is designed to provide stable and reliable support when navigating stairs. Grasp the handrail firmly to assist with balance and stability. Its robust construction ensures a secure grip for users of all ages.



Image 5.1: Demonstrating proper grip on the handrail.



Image 5.2: Handrail providing support on indoor wooden stairs.

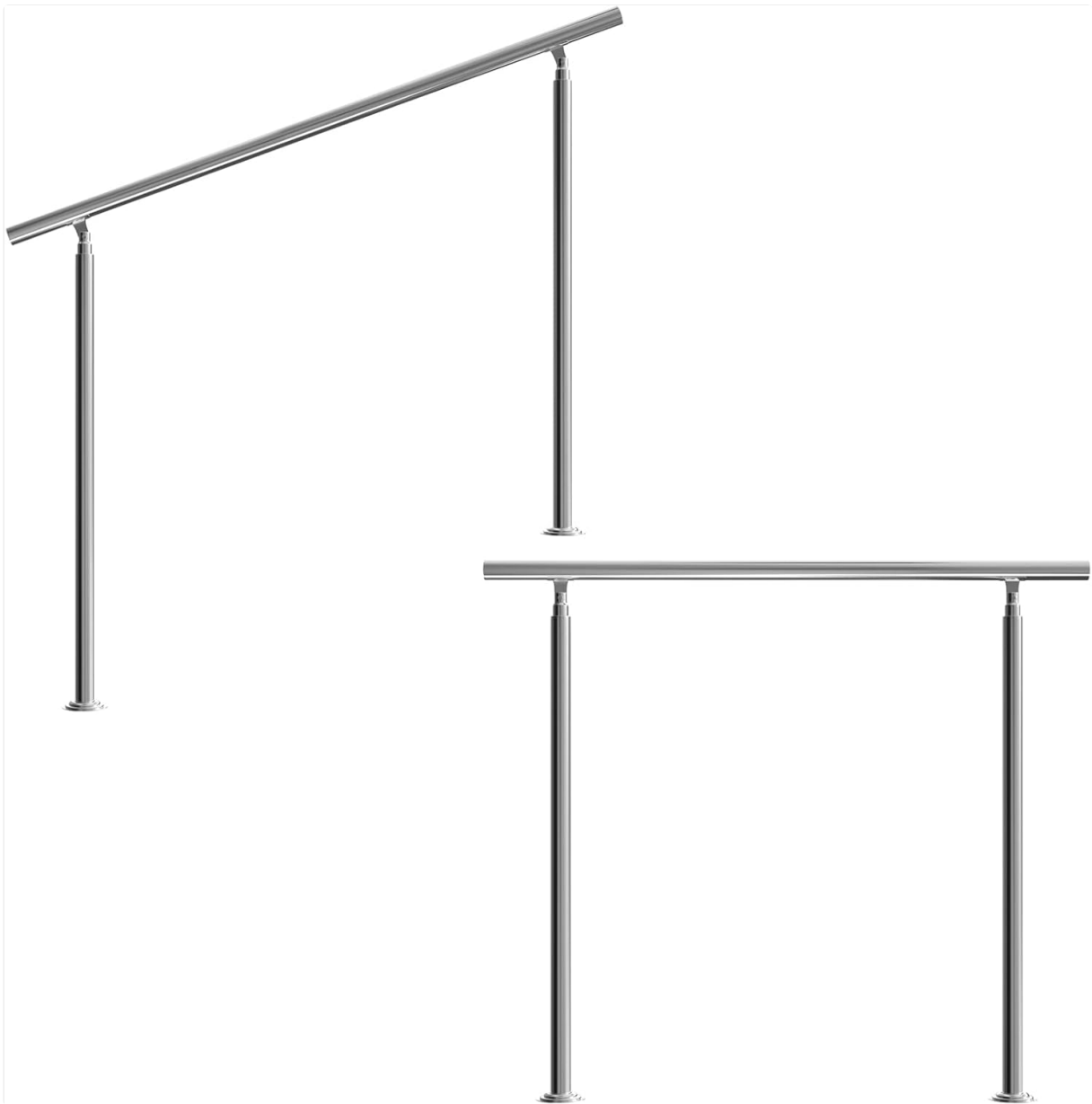


Image 5.3: Handrail versatility for both inclined and flat installations.

## 6. MAINTENANCE

---

The MONZANA Stainless Steel Stair Handrail is designed for easy care and durability. To maintain its appearance and structural integrity:

- **Cleaning:** Wipe the handrail regularly with a soft, damp cloth. For stubborn dirt, use a mild soap solution and rinse thoroughly with clean water. Avoid abrasive cleaners or scouring pads, which can scratch the stainless steel finish.
- **Inspection:** Periodically check all mounting points and connections to ensure they remain tight and secure. Re-tighten any loose screws immediately.
- **Corrosion Prevention:** Although stainless steel is highly resistant to corrosion, prolonged exposure to harsh chemicals or saltwater environments may require more frequent cleaning and inspection.

## 7. TROUBLESHOOTING

---

Problem	Possible Cause	Solution
---------	----------------	----------

Problem	Possible Cause	Solution
Handrail feels loose or wobbly.	Mounting screws are loose; mounting surface is not strong enough.	Tighten all mounting screws. If the problem persists, reinforce the mounting surface or use stronger anchors.
Surface appears dull or stained.	Accumulation of dirt or residue; improper cleaning agents used.	Clean with a soft cloth and mild soap solution. Avoid abrasive cleaners. For persistent stains, specialized stainless steel cleaners may be used.
Difficulty adjusting the angle.	Joint mechanism is stiff or obstructed.	Ensure no debris is obstructing the joint. Apply a small amount of silicone lubricant if necessary. Do not force the adjustment.

## 8. SPECIFICATIONS

---

- **Model:** 108622
- **Material:** Stainless Steel
- **Overall Dimensions (L x W x H):** 150 x 4.2 x 107 cm
- **Handrail Length:** 150 cm
- **Handrail Diameter:** 4.2 cm
- **Weight:** Approximately 6.55 kg
- **Finish Type:** Brushed
- **Minimum Weight Capacity:** 100 kg

## 9. WARRANTY AND SUPPORT

---

Specific warranty information and direct support contact details are not provided in the product data. For warranty claims or technical assistance, please refer to the retailer or manufacturer's official website, or contact their customer service directly using the information provided at the point of purchase.