

Manuals+

[Q & A](#) | [Deep Search](#) | [Upload](#)

manuals.plus /

› [Panasonic](#) /

› [Panasonic WhisperWarm FV-0511VHL1 Bathroom Exhaust Fan with LED Light & Heater User Manual](#)

Panasonic FV-0511VHL1

Panasonic WhisperWarm FV-0511VHL1 User Manual

Ceiling Mount Bathroom Exhaust Fan with LED Light & Heater

1. PRODUCT OVERVIEW

The Panasonic WhisperWarm FV-0511VHL1 is a high-performance ceiling-mount bathroom exhaust fan designed to provide ventilation, heating, and illumination. This unit integrates a powerful 1600W PTC heater for instant warmth, an energy-efficient 3000K LED light panel with adjustable brightness, and a low-power night light function. It features a DC/ECM motor and Pick-A-Flow technology, allowing users to select airflow rates of 50, 80, or 110 Cubic Feet Per Minute (CFM) to suit specific room sizes and usage requirements. The fan operates quietly at 0.8 Sones, ensuring minimal disturbance.



Figure 1.1: Top-down view of the Panasonic WhisperWarm FV-0511VHL1 unit, showing the white grille, LED light panel, and the duct connection.

The unit is designed for ease of installation, featuring a Flex-Z Fast Bracket and options for both 4-inch and 6-inch ducting. Its ultra-slim profile allows it to fit within standard ceiling joist cavities. This model is Energy Star-certified, reflecting its energy-efficient operation.

2. SAFETY INFORMATION

Please read and understand all instructions before installation and operation. Failure to follow these instructions may result in electric shock, fire, property damage, or personal injury.

- **Electrical Safety:** Always disconnect power at the circuit breaker before installing, servicing, or cleaning the unit. Ensure all wiring complies with local and national electrical codes. This unit requires a dedicated 20A circuit.
- **Installation:** Install the unit in accordance with the provided installation manual. Do not install in a ceiling where the temperature may exceed 104°F (40°C).
- **Ducting:** Ensure proper ducting to the outside. Do not vent into attics, crawl spaces, or garages.

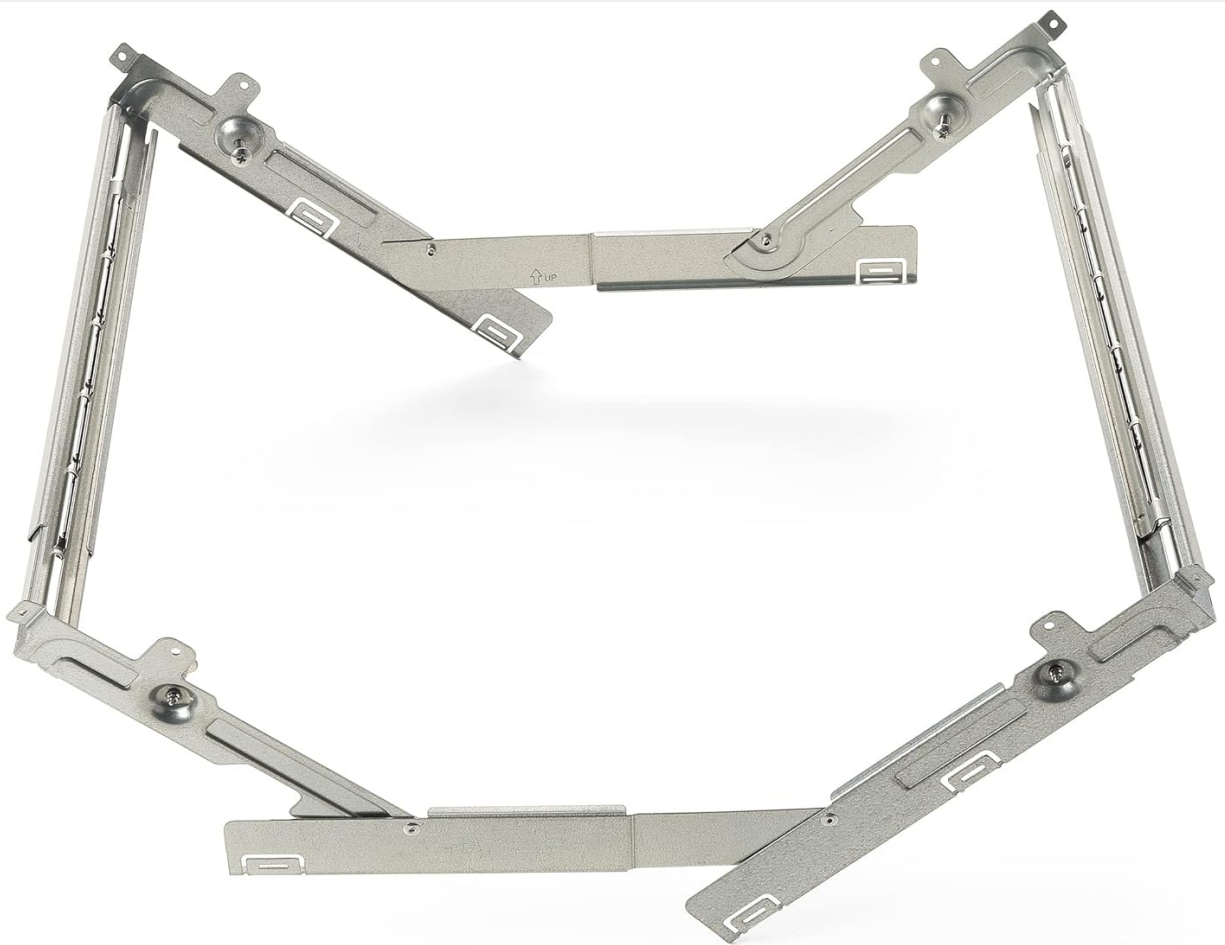
- **Heater Safety:** The heater element becomes hot during operation. Avoid direct contact. Do not obstruct the heater's airflow.
- **Maintenance:** Only perform maintenance as described in this manual. Refer qualified service personnel for repairs beyond routine maintenance.

3. INSTALLATION

The FV-0511VHL1 is designed for straightforward installation in both new construction and existing structures, even without attic access. Refer to the detailed installation manual (PDF) available on the product page for complete instructions.

3.1 Mounting

The unit utilizes a **Flex-Z Fast Bracket**, a single-hinge bracket system that simplifies positioning and secures the fan housing. This bracket allows for installation through the ceiling opening.



Easy-To-Install Flex-Z Fast Installation Bracket

Figure 3.1: The Flex-Z Fast Installation Bracket, designed for easy and secure mounting of the fan unit.

3.2 Ducting

The unit supports both 4-inch and 6-inch ducting options. Ensure the ductwork is properly sealed and routed to the

exterior of the building to prevent moisture buildup.

3.3 Electrical Connections

Connect the unit to a dedicated 120V, 20A circuit. All electrical connections should be made by a qualified electrician and conform to all applicable electrical codes. The electrical connections can be accessed and completed through the ceiling opening before the unit is fully slid into place.

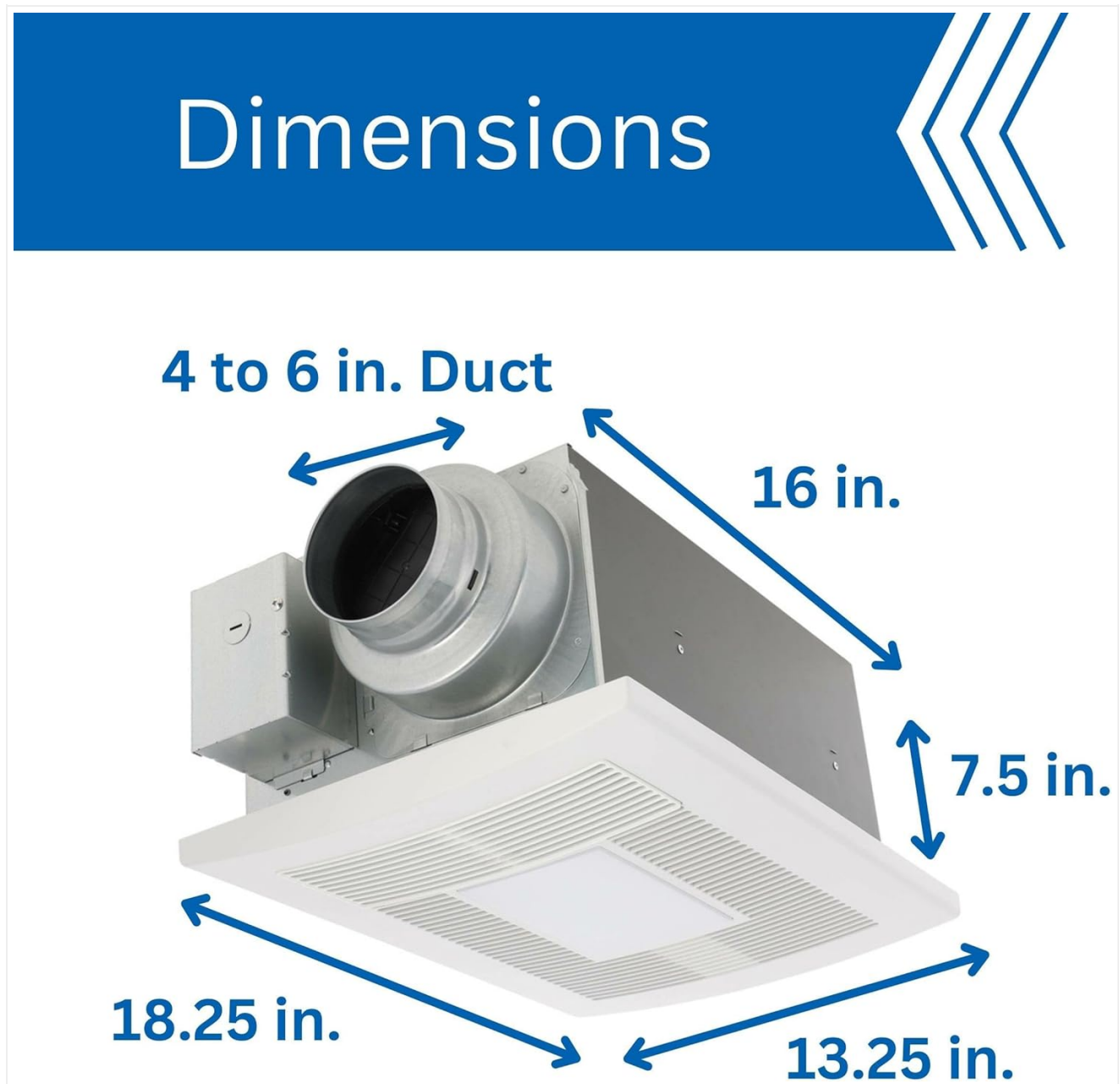


Figure 3.2: Dimensional diagram of the fan unit, indicating its compact size and ducting options (4 to 6 inches).

4. OPERATING INSTRUCTIONS

The Panasonic WhisperWarm FV-0511VHL1 offers integrated ventilation, heating, and lighting functions, controlled via external wall switches (not included).

4.1 Fan Operation (Ventilation)

The fan features **Pick-A-Flow technology**, allowing you to select your desired airflow rate. Before final installation, locate the airflow selector switch on the unit and set it to 50, 80, or 110 CFM based on your room size and ventilation needs. Once set, the fan will operate at this CFM when activated by its dedicated wall switch.



PICK-A-FLOW Airflow Selector Select Speed 50-80-110 CFM

Figure 4.1: Internal view of the fan unit, highlighting the Pick-A-Flow airflow selector switch and the heater element.

4.2 Heater Operation

The 1600W PTC heater provides instant warmth. Activate the heater using its dedicated wall switch. Allow a short period for the heater to reach full operating temperature. The heater is designed to quickly warm the bathroom environment.



Quickly heats up any bathroom

Panasonic

Figure 4.2: An installed fan unit in a bathroom setting, illustrating its function in quickly heating the space.

4.3 LED Light Operation

The integrated 3000K LED light panel provides illumination. It also includes a low-power night light feature. Control the light functions using their respective wall switches. The brightness of the main LED light may be adjustable depending on the connected switch type.

5. MAINTENANCE

Regular maintenance ensures optimal performance and longevity of your WhisperWarm fan. Always disconnect power at the circuit breaker before performing any maintenance.

- **Grille Cleaning:** Periodically remove the grille and wipe it with a soft cloth dampened with a mild, non-abrasive cleaner. Ensure it is completely dry before reattaching.
- **Heater Filter Cleaning:** The heater element includes a filter that can accumulate dust and lint. Check this filter monthly or as needed, depending on usage. Carefully remove the filter and clean it to maintain heating efficiency. A clogged filter can reduce heater effectiveness.

- **Fan Blade Cleaning:** If accessible, gently wipe the fan blades with a damp cloth to remove dust buildup.
- **LED Light Panel:** The LED light panel is designed for long life and is not user-replaceable. If the LED light fails, contact customer support.

6. TROUBLESHOOTING

If you experience issues with your Panasonic WhisperWarm FV-0511VHL1, consult the following table before contacting customer support.

Problem	Possible Cause	Solution
Fan/Heater/Light does not operate	No power to the unit; Circuit breaker tripped; Incorrect wiring; Faulty wall switch.	Check circuit breaker and reset if tripped. Verify power supply to the unit. Inspect wiring connections. Test or replace wall switch.
Heater not producing sufficient warmth	Clogged heater filter; Obstructed airflow.	Clean the heater filter as described in Section 5. Ensure no objects are blocking the heater's air intake or exhaust.
Excessive noise during operation	Loose mounting; Debris in fan blades; Motor issue.	Ensure the unit is securely mounted. Disconnect power and check for debris in fan blades. If noise persists, contact customer support.
Poor ventilation/airflow	Incorrect CFM setting; Clogged ductwork; Obstructed grille.	Verify the Pick-A-Flow setting. Check ductwork for blockages or leaks. Clean the grille.

7. SPECIFICATIONS

Feature	Specification
Model Number	FV-0511VHL1
Brand	Panasonic
Air Flow Capacity	50, 80, 110 CFM (selectable)
Noise Level	0.8 Sones
Heater Wattage	1600 watts
Voltage	120 Volts
Light Type	3000K LED with Night Light
Duct Size	4 or 6 inches
Product Dimensions (D x W x H)	15.28"D x 22.64"W x 12.72"H
Item Weight	16 ounces (1 pound)
Control Method	Touch (via external switches)

Feature	Specification
Certification	UL, Energy Star

8. WARRANTY AND SUPPORT

For detailed warranty information, product registration, or technical support, please visit the official Panasonic website or contact Panasonic customer service directly. Keep your purchase receipt for warranty claims.

Additional resources, including the full Installation Manual and User Guide, are available in PDF format. These documents provide comprehensive details on installation, operation, and maintenance.

- [Installation Manual \(PDF\)](#)
- [User Guide \(PDF\)](#)