

Manuals.plus /

› VASAGLE /

› VASAGLE Bathroom Storage Cabinet with 4 Drawers, Grey, Model LHC040G01 Instruction Manual

VASAGLE LHC040G01

VASAGLE Bathroom Storage Cabinet with 4 Drawers

MODEL: LHC040G01

Introduction

This instruction manual provides essential information for the safe assembly, operation, and maintenance of your VASAGLE Bathroom Storage Cabinet, Model LHC040G01. Please read this manual thoroughly before assembly and use, and retain it for future reference.





Image: The VASAGLE LHC040G01 grey bathroom storage cabinet, featuring four pull-out drawers and a compact design.

Safety Information

To ensure safe use of this product, please observe the following precautions:

- Children are prohibited from climbing on or playing with the storage cabinet.
- For safety reasons, always secure the storage cabinet to the wall using the provided anti-tipping device. Failure to do so may result in serious injury.

Package Contents

Please verify that all components are present before beginning assembly:

- 1 x VASAGLE Bathroom Cabinet
- 1 x Assembly Kit (hardware and tools)
- 1 x Anti-tipping Device

- 1 x Instruction Manual

Specifications

Feature	Detail
Brand	VASAGLE
Model Number	LHC040G01
Color	Grey
Product Dimensions (L x W x H)	30 x 30 x 82 cm
Item Weight	8.3 kg
Material	Engineered Wood (MDF)
Maximum Weight Capacity (Top)	90 kg
Maximum Static Load Capacity per Drawer	4.5 kg
Features	4 Drawers

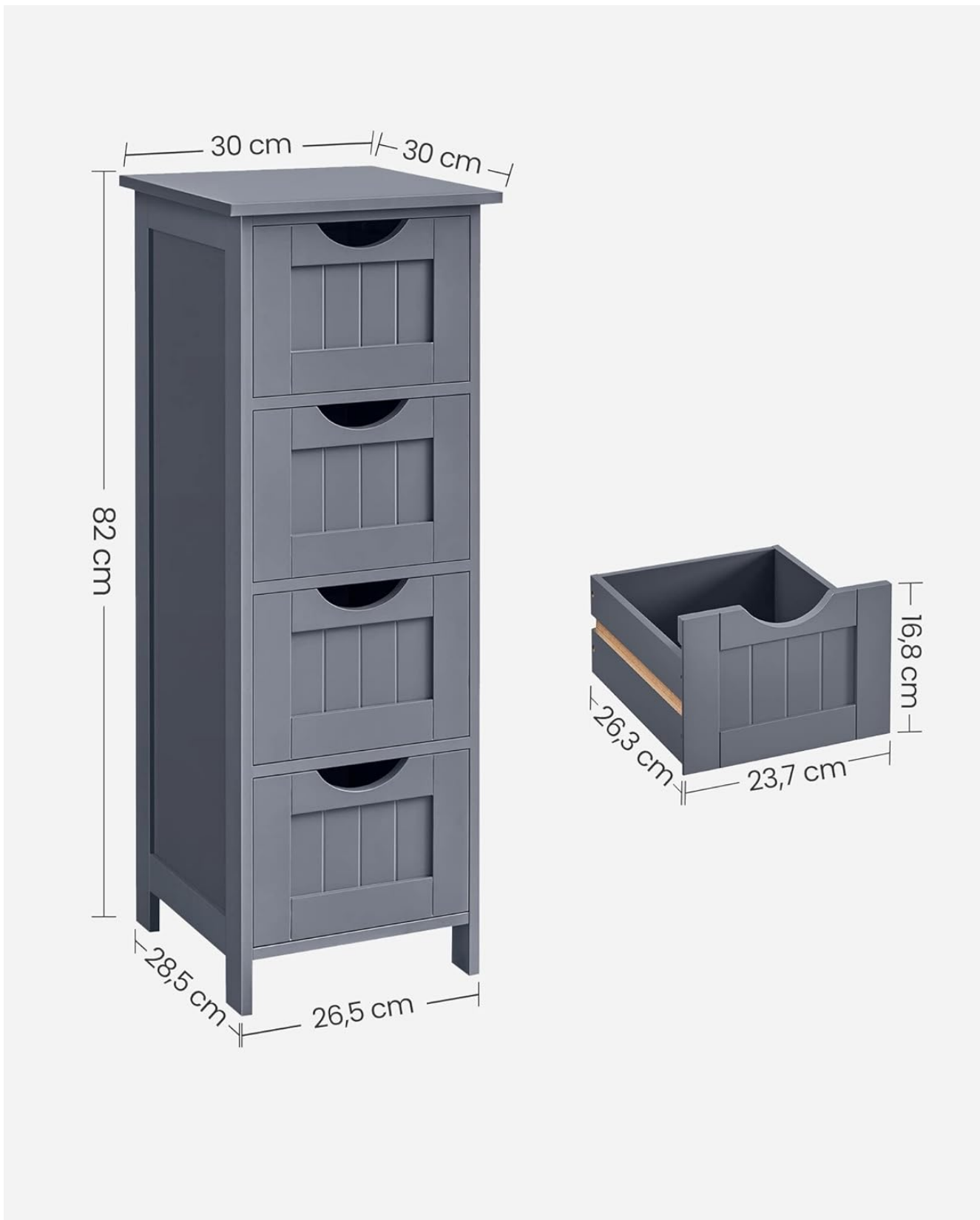


Image: Detailed dimensions of the cabinet and individual drawers.

Setup and Assembly

The assembly process is designed to be straightforward. Follow the numbered steps in the included instruction manual. All parts are labeled for easy identification.

1. **Unpack Components:** Carefully remove all parts from the packaging and lay them out on a clean, soft surface to prevent scratches. Verify that all items listed in the 'Package Contents' section are present.
2. **Follow Illustrated Instructions:** Refer to the step-by-step illustrations in the provided manual for detailed

assembly guidance.

3. **Assemble Frame:** Connect the main frame components using the designated hardware from the assembly kit. Do not overtighten screws initially.
4. **Install Drawers:** Assemble each of the four drawers according to the instructions. Ensure they slide smoothly into the cabinet frame.
5. **Secure Anti-tipping Device:** Once the cabinet is fully assembled and placed in its desired location, use the anti-tipping device to securely fasten the cabinet to a wall stud. This is a critical safety step.

Operating Instructions

This storage cabinet is designed for versatile use in various rooms to help organize your belongings.

Storage Capacity

The four drawers provide ample space for organizing items. Each drawer has a maximum static load capacity of 4.5 kg. The top surface of the cabinet can support up to 90 kg.



Image: The cabinet with all four drawers open, revealing organized towels and toiletries.



Image: A close-up view of one drawer, neatly storing bath salts and small bottles.

Versatile Placement

The compact design and neutral grey finish allow this cabinet to complement various interior styles and functions:

- **Bathroom:** Ideal for storing towels, toilet paper, toiletries, and cleaning supplies.
- **Living Room:** Can be used to organize CDs, albums, remote controls, or small decorative items.
- **Dining Room:** Suitable for storing glassware, placemats, or other dining essentials.
- **Kitchen:** Useful for keeping bottles, jars, or small kitchen gadgets organized.



Image: Two VASAGLE cabinets positioned on either side of a bathroom vanity, demonstrating their utility in a bathroom setting.



Image: The cabinet situated in a living room, showcasing its adaptability beyond the bathroom.

Maintenance

Proper care will ensure the longevity of your VASAGLE storage cabinet.

- **Cleaning:** Wipe the cabinet surfaces with a soft, damp cloth. Avoid using harsh chemicals or abrasive cleaners, as these can damage the finish.
- **Spills:** Promptly wipe up any spills to prevent water damage or staining, especially on the engineered wood surfaces.
- **Stability Check:** Periodically check the tightness of all screws and connections. Re-tighten if necessary. Ensure the anti-tipping device remains securely attached to the wall.
- **Avoid Overloading:** Do not exceed the maximum weight capacities for the top surface (90 kg) or individual drawers (4.5 kg) to prevent structural damage.



Image: A hand wiping the top surface of the cabinet, demonstrating easy cleaning.

Troubleshooting

If you encounter any issues with your cabinet, consider the following common solutions:

- **Wobbly Cabinet:** Ensure all screws are tightened. Verify that the cabinet is placed on a level surface. If necessary, adjust the anti-tipping device for proper wall attachment.
- **Drawers Not Sliding Smoothly:** Check for any obstructions in the drawer glides. Ensure the drawers were assembled correctly and are not overloaded.
- **Missing Parts:** If any parts were missing from the package, please contact customer support with your purchase details.

Warranty Information

Specific warranty details for this product may vary by region and retailer. Please refer to your purchase documentation or contact the retailer where the product was purchased for detailed warranty information.

Customer Support

For further assistance, questions, or to report any issues, please contact VASAGLE customer support through the retailer's platform or visit the official VASAGLE website for contact information.