



Manuals.plus /

- › RoWood /
- › RoWood Starry Night Music Box 3D Wooden Puzzle Instruction Manual

RoWood AMK51

RoWood Starry Night Music Box 3D Wooden Puzzle Instruction Manual

Model: AMK51

INTRODUCTION

Thank you for choosing the RoWood Starry Night Music Box 3D Wooden Puzzle. This mechanical building model kit offers an engaging assembly experience, culminating in a beautiful music box that plays the melody "MEMORY (FROM CATS)". This manual provides detailed instructions for assembly, operation, maintenance, and troubleshooting to ensure a rewarding experience.



Figure 1: The completed RoWood Starry Night Music Box 3D Wooden Puzzle.

SETUP AND ASSEMBLY

The RoWood Starry Night Music Box is a DIY wooden mechanical building model kit consisting of 84 pre-cut small wooden pieces. Follow the instructions carefully for optimal assembly.

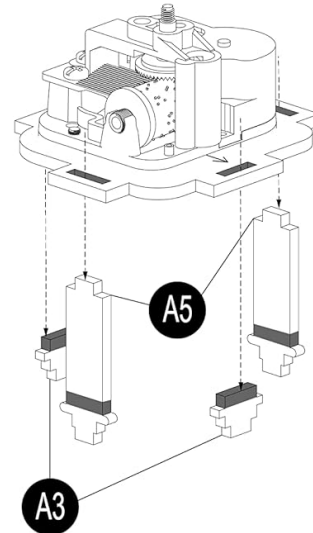
Unpacking and Preparation

- Carefully open the packaging and lay out all components.
- Identify the wooden sheets containing the pre-cut puzzle pieces.
- Review the English instruction manual provided with pictures to familiarize yourself with the steps.
- Prepare a clean, flat workspace. A modeling knife (e.g., X-Acto type) is recommended for carefully removing fragile parts from the wooden sheets.

Beautiful Packaging



Follow English Instruction Manual



Pop Out Puzzle Pieces



Build Your Own Craft Kit



Figure 3: Visual guide for unpacking and initial assembly steps.

Assembly Video

Your browser does not support the video tag.

Video 1: An official assembly guide for the RoWood AMK51 Starry Night Music Box, demonstrating key steps and the final product in motion.

OPERATING INSTRUCTIONS

Once assembled, your Starry Night Music Box is ready to play its enchanting melody.

- **Winding the Music Box:** Locate the winding key on the bottom or side of the music box. Gently turn the key clockwise until you feel slight resistance. Do not overwind.
- **Playing the Melody:** After winding, the music box will begin to play the tune "MEMORY (FROM CATS)" and the internal gears will rotate, causing the crystal balls to move in an orbital fashion.
- **Stopping Playback:** To stop the music, some models may have a small lever or switch. If not, the music will play until the spring unwinds completely.

Stars of All Colors



Gear Drive



Meridian Circle



Bottom Switch



Figure 4: Detailed views of the music box features, including the winding mechanism.

MAINTENANCE

Proper maintenance will ensure the longevity and smooth operation of your wooden music box.

- **Cleaning:** Use a soft, dry cloth to gently wipe dust from the wooden surfaces and gears. Avoid using water or chemical cleaners, as these can damage the wood.
- **Lubrication:** If the gears begin to stick or the movement becomes stiff, reapply wax to the moving wooden parts as indicated in the original assembly instructions. Do not use oil or grease.
- **Storage:** Store the music box in a dry environment away from direct sunlight and extreme temperature changes to prevent warping or damage to the wood.

TROUBLESHOOTING

If you encounter any issues with your music box, refer to the following common problems and solutions:

Problem	Possible Cause	Solution
Music box does not play or stops prematurely.	Not fully wound, gears are sticking, or internal mechanism obstruction.	Ensure the music box is fully wound. Check for any visible obstructions in the gear mechanism. Reapply wax to moving parts if they feel stiff.
Gears are stiff or do not rotate smoothly.	Insufficient waxing during assembly or dust accumulation.	Reapply wax to all moving wooden gear components. Clean any dust or debris from the gear teeth.
Pieces break during assembly.	Excessive force used when removing or connecting parts.	The kit often includes spare parts for common breakages. If a critical piece breaks and no spare is available, contact customer support. Use a modeling knife for delicate removals.

SPECIFICATIONS

- **Model Number:** AMK51
- **Product Dimensions:** 5.31 x 5.31 x 6.1 inches
- **Item Weight:** 1.15 pounds
- **Number of Pieces:** 84 (approximate)
- **Recommended Age:** 14 years and up
- **Material:** Natural Wood
- **Melody:** "MEMORY (FROM CATS)"

2.5
h

101
PCS

14+

Product Name: Starry Night
Assembly Size: 5.31*5.31*6.1inch

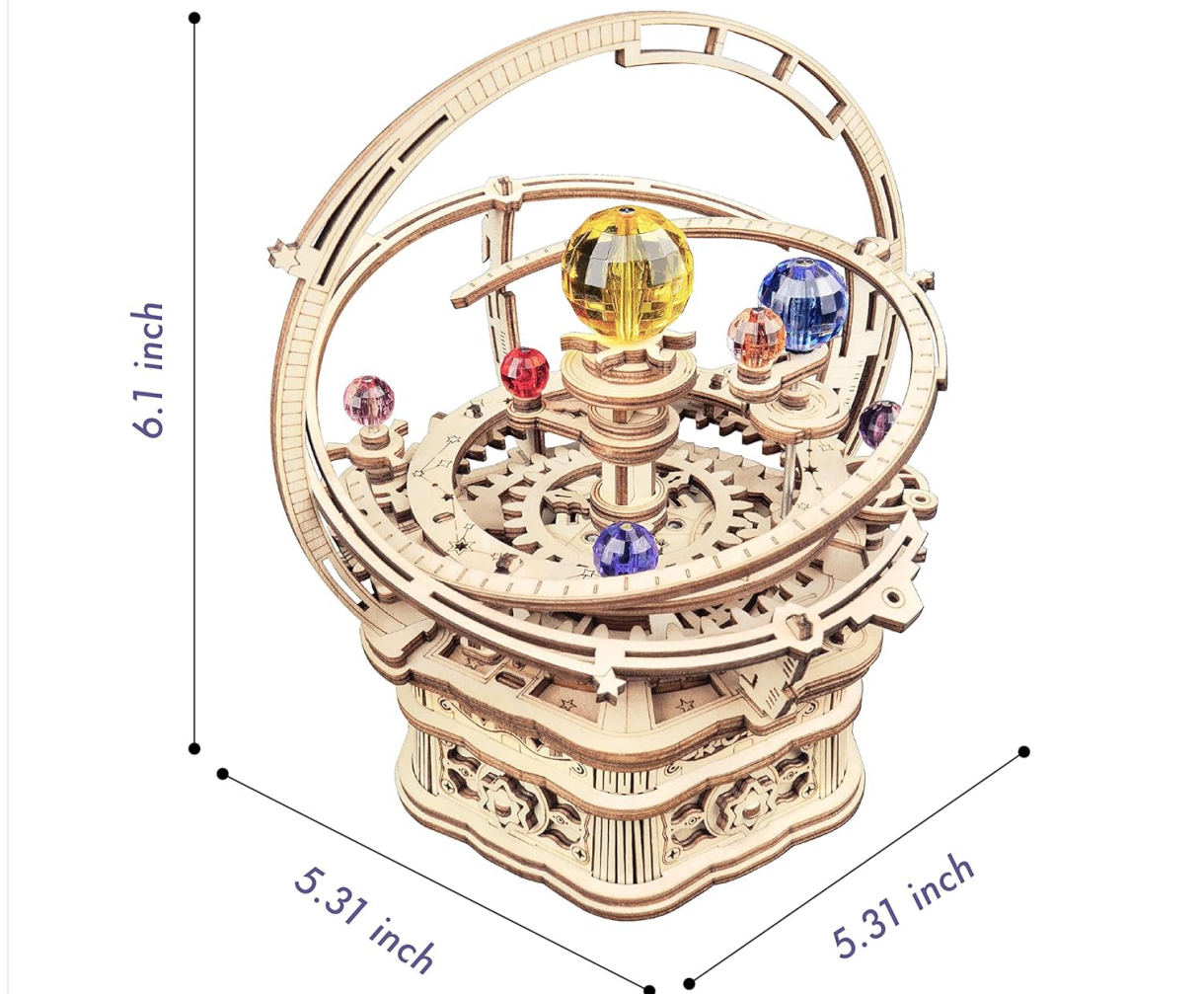


Figure 5: Product dimensions for the assembled music box.

WARRANTY AND SUPPORT

RoWood products are designed for quality and enjoyment. For any questions, missing parts, or support needs, please contact RoWood customer service. Refer to the product packaging for specific contact information or visit the official RoWood website.