

## OEDRO US8X486E

# OEDRO Rear Bumper Combo Instruction Manual

Model: US8X486E

## INTRODUCTION

---

This manual provides detailed instructions for the installation, operation, and maintenance of your OEDRO Rear Bumper Combo. This bumper is designed for 2018-2026 Jeep Wrangler JL and Unlimited JLU (2/4 Doors) models. It features a full-width design with a hitch receiver, D-rings, and a paintable trim panel. Please read these instructions thoroughly before beginning installation to ensure proper fitment and safe operation.

**Important Note:** This bumper is not compatible with 2018-2026 Jeep Gladiator models and models equipped with rear parking sensors.

## PACKAGE CONTENTS

---

Verify all components are present before beginning installation:

- 1 x Rear Bumper
- 2 x D-ring Shackles
- 1 x Set of Mounting Hardware
- 1 x Instruction Manual (this document)



Image: Overview of the OEDRO Rear Bumper components, highlighting the license plate bracket, detachable decorative plate, D-ring shackle with isolator, harness bracket, and separate hitch receiver.

## SETUP AND INSTALLATION

Professional installation is recommended. Ensure the vehicle is on a level surface and properly supported before beginning. Always wear appropriate safety gear.

### Tools Required (Not Included):

- Socket Wrench Set
- Torque Wrench
- Pry Tool (for trim removal)
- Drill (if relocating trailer electrical box)
- Safety Glasses and Gloves

### Installation Steps:

1. **Prepare Vehicle:** Park the Jeep on a flat, stable surface. Engage the parking brake. Disconnect the negative terminal of the vehicle's battery.
2. **Remove Factory Bumper:**

- Locate and remove all bolts securing the factory rear bumper to the vehicle frame.
- Disconnect any wiring harnesses attached to the bumper (e.g., license plate lights, trailer wiring).
- Carefully remove the factory bumper. It may require two people due to its weight.

**3. Install OEDRO Rear Bumper:**

- Position the OEDRO rear bumper onto the vehicle frame. Align the mounting holes.
- Secure the bumper using the provided mounting hardware. Hand-tighten all bolts first.
- Once all bolts are in place, progressively tighten them to the manufacturer's specified torque settings.

**4. Connect Wiring:** Reconnect any necessary wiring harnesses for license plate lights or trailer electrical systems. *Note: Some users have reported needing to relocate the trailer electrical box and drill new mounting holes. Ensure proper wiring and functionality.*

**5. Install License Plate Bracket:** Attach the provided license plate bracket to the designated area on the bumper. Ensure it is securely fastened and visible.

**6. Install D-ring Shackles:** Attach the D-ring shackles to the recovery points on the bumper. Ensure the isolators are correctly seated to prevent rattling.

**7. Final Checks:** Reconnect the vehicle battery. Test all lights and electrical connections. Ensure all bolts are tightened.



Image: A blue Jeep Wrangler JL with the OEDRO rear bumper installed, showcasing the hitch receiver and D-rings. This image illustrates the bumper's appearance after installation.



Image: A close-up view of the OEDRO rear bumper's detachable design, specifically showing the license plate bracket and hitch receiver from a lower angle.

## OPERATION AND FEATURES

The OEDRO Rear Bumper Combo enhances your vehicle's utility and appearance. Understand its features for optimal use.

### **Hitch Receiver:**

The integrated hitch receiver allows for towing and mounting accessories. Always adhere to your vehicle's towing capacity and local regulations. Ensure the hitch pin is securely installed before use.

### **D-Ring Shackles:**

The D-ring shackles provide secure recovery points for off-road situations. Use only rated recovery straps and equipment. Always ensure shackles are fully tightened before applying load.

### **Paintable Trim Panel:**

The bumper includes a pretreated, detachable trim panel that can be customized with paint or decals to match your vehicle's color or personal style. Remove the panel carefully before painting and allow it to dry completely before reattaching.

## DIY PAINTING ALLOWED

Detachable decor allows you redesign it according to your car.



Image: Two Jeep Wranglers, one blue and one red, equipped with OEDRO rear bumpers. The image highlights the customizable paintable trim panels, with the red bumper showing red panels and the blue bumper showing blue panels.

Your browser does not support the video tag.

Video: This video demonstrates how to customize the OEDRO Wrangler bumpers, including the paintable trim panels, to create a personalized style.

Your browser does not support the video tag.

Video: This video showcases the OEDRO Bumper with its paintable trim feature, illustrating the customization options available.

### Spare Tire Clearance:

The bumper is designed to accommodate a spare tire. However, some larger tire sizes (e.g., 33" or 35") may require modifications to the spare tire mount or may interfere with the tailgate operation. Verify clearance with your specific tire size after installation.



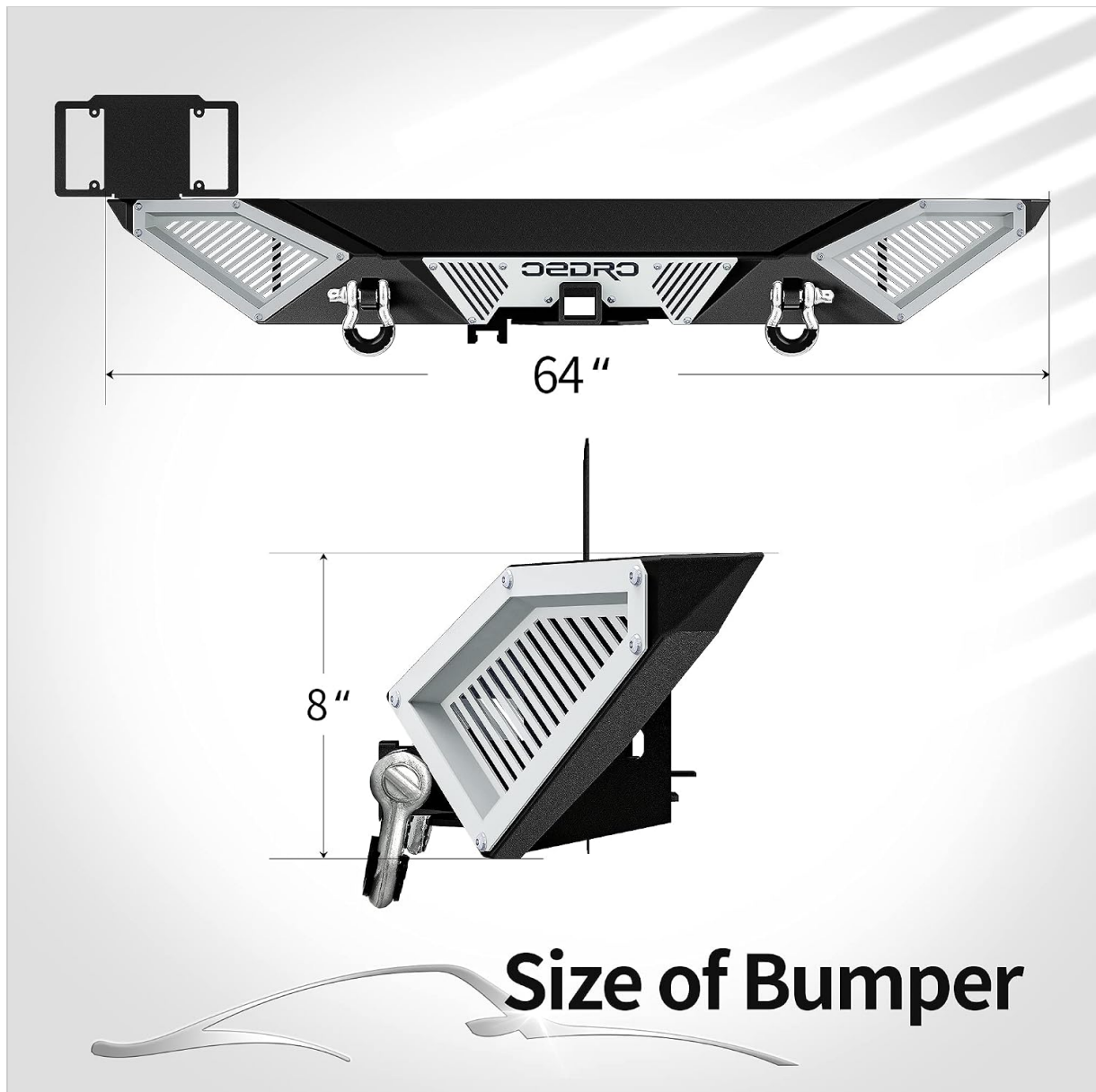
Image: A blue Jeep Wrangler JL from the rear, featuring the OEDRO rear bumper and a spare tire mounted on the tailgate. This image demonstrates the bumper's compatibility with a spare tire.

## MAINTENANCE

---

Regular maintenance will ensure the longevity and performance of your OEDRO Rear Bumper.

- **Cleaning:** Wash the bumper regularly with mild soap and water to remove dirt, salt, and other debris. Avoid abrasive cleaners or harsh chemicals that could damage the powder coat finish.
- **Inspection:** Periodically inspect all mounting hardware for tightness. Re-torque bolts as necessary. Check for any signs of damage, rust, or wear.
- **Rust Prevention:** The bumper features a carbide black powder coat finish for rust resistance. If the finish is scratched or damaged, touch up with appropriate paint to prevent rust formation.



## Size of Bumper

Image: A cross-section diagram detailing the rust resistance features of the OEDRO bumper, showing the all-steel build, rust-resistant layer, and textured powder coat finish.

## TROUBLESHOOTING

Refer to the following common issues and solutions:

Issue	Possible Cause	Solution
Spare tire rubs bumper or tailgate won't open.	Larger than stock spare tire (e.g., 33" or 35") without appropriate spare tire carrier modifications.	Verify tire size compatibility. An aftermarket spare tire carrier or extension may be required for larger tires.
No license plate light.	Wiring not connected, faulty light, or bumper design does not include an integrated light.	Ensure license plate light wiring is correctly connected. If no integrated light is present, an external license plate illumination solution may be required to comply with local regulations.

Issue	Possible Cause	Solution
Trailer electrical box does not fit.	Original mounting location incompatible with new bumper.	Relocate the trailer electrical box to a suitable position. This may require drilling new mounting holes. Ensure all wiring is properly secured and protected.
Bumper appears scratched or damaged upon arrival.	Shipping damage or manufacturing defect.	Inspect product immediately upon receipt. Contact OEDRO customer support with photographic evidence of damage for assistance.

## SPECIFICATIONS

Feature	Detail
Brand	OEDRO
Model Number	US8X486E
Auto Part Position	Rear
Material	Carbon Steel
Color	Black & Silver
Item Weight	63 Pounds
Product Dimensions (D x W x H)	14.17"D x 66.14"W x 11.02"H
Exterior Finish	Carbide black powder coat
Compatible Vehicle Type	2018-2026 Jeep Wrangler JL & Unlimited JLU (2/4 Doors)
Included Components	Rear Bumper, 2 D-ring Shackles, Mounting Hardware, Instruction



## RUST RESISTANCE



Image: A diagram illustrating the key dimensions of the OEDRO rear bumper, including its overall width and the height of the side panel.

### WARRANTY INFORMATION

The OEDRO Rear Bumper Combo is covered by a **Limited Lifetime Warranty**. This warranty covers defects in materials and workmanship under normal use. For specific terms, conditions, and to file a warranty claim, please refer to the official OEDRO website or contact customer support.

### CUSTOMER SUPPORT

If you have any questions regarding the installation, operation, or maintenance of your OEDRO Rear Bumper, please contact OEDRO customer support. Have your model number (US8X486E) and purchase information ready for faster service.

For additional resources and product information, visit the official OEDRO website: [OEDRO Store](#)

