

Cecotec GrandHeat 2000

Cecotec GrandHeat 2000 Built-in Microwave Instruction Manual

1. INTRODUCTION

This manual provides comprehensive instructions for the safe and efficient use of your Cecotec GrandHeat 2000 Built-in Microwave. Please read this manual thoroughly before operating the appliance and retain it for future reference. This microwave combines microwave and grill functions, offering versatile cooking options.

2. SAFETY INSTRUCTIONS

- Always ensure the microwave is properly installed and grounded according to local electrical codes.
- Do not operate the microwave if the door is damaged, or if the door seals or interior are compromised.
- Never heat sealed containers, baby bottles with narrow necks, or whole eggs in the microwave, as they may explode.
- Use only microwave-safe cookware. Metal objects can cause arcing.
- Supervise children when the microwave is in use, especially when the child safety lock is not activated.
- Do not attempt to service or repair the microwave yourself. Contact qualified service personnel.
- Ensure proper ventilation around the appliance.
- The microwave features a child safety lock to prevent unintended operation.

3. PRODUCT OVERVIEW

The Cecotec GrandHeat 2000 is a 20-liter built-in microwave with 700 W microwave power across 6 levels and a 900 W grill. It features a ceramic-coated interior for easy cleaning and a 24.5 cm diameter turntable.

Control Panel

The control panel consists of buttons and a rotary dial for setting functions and time. The door opens easily with a push button.



Figure 1: Control Panel Detail



Figure 2: Microwave installed in a kitchen setting

4. SETUP AND INSTALLATION

This appliance is designed for built-in installation. Ensure the cabinet opening meets the required dimensions for proper fit and ventilation. Refer to the diagrams below for precise measurements.



Figure 3: External Product Dimensions

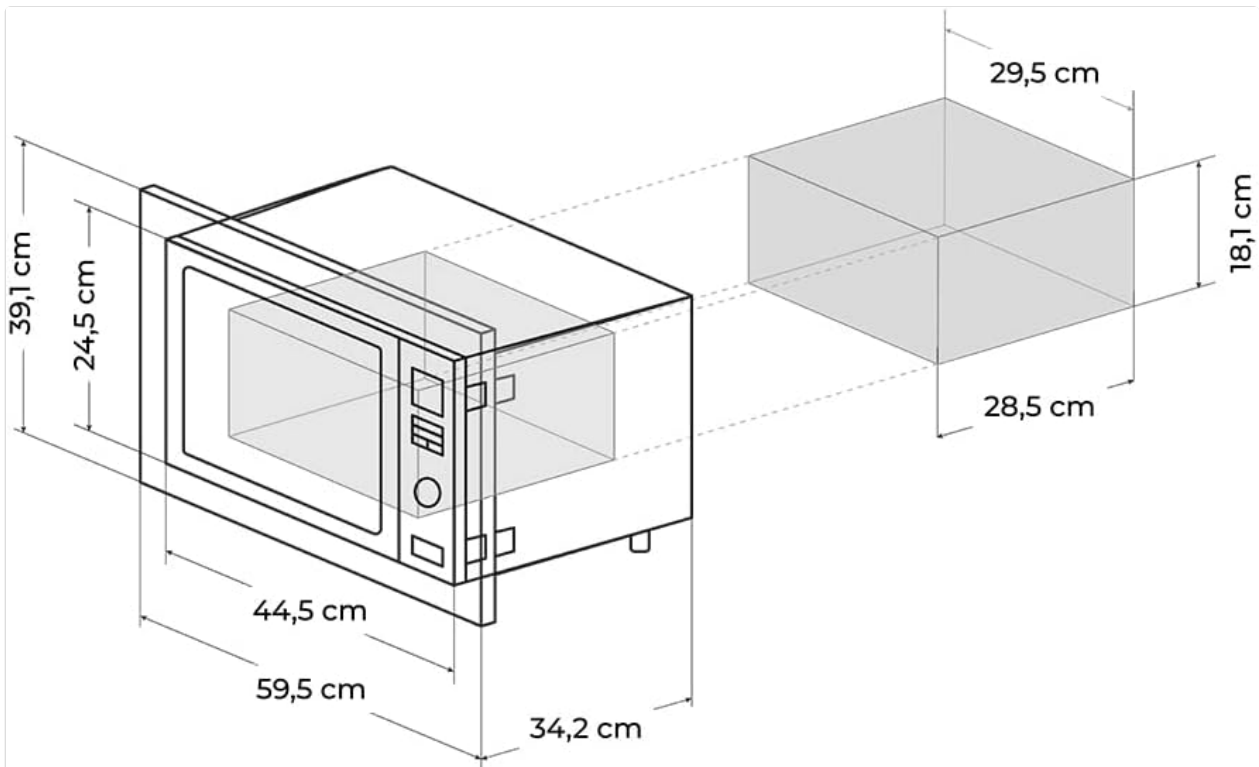


Figure 4: Installation Dimensions and Cavity

After installation, ensure the microwave is securely fastened and the power cord is not pinched or damaged. Plug the appliance into a suitable 230 Volt power outlet.

5. OPERATING INSTRUCTIONS

Basic Microwave Operation

1. Place food in a microwave-safe container on the turntable.
2. Close the microwave door securely.
3. Select the desired power level (6 available levels up to 700 W) using the control panel.
4. Set the cooking time using the rotary dial or appropriate buttons.
5. Press the Start button to begin cooking.

Grill Function

The microwave features a 900 W grill for browning and crisping food. Use the included metal grill rack for optimal results. Select the grill function and set the desired cooking time.

Pre-configured Functions

The appliance includes 9 pre-configured functions for common food types:

- Milk/Coffee
- Rice
- Pasta
- Meat
- Potatoes
- Fish
- Chicken
- Skewers
- Automatic Reheat

Select the desired function from the control panel, and the microwave will automatically set the appropriate power and time based on the food type.

Defrost Mode

The defrost mode allows you to thaw food based on its weight. Place the frozen food in the microwave, select the defrost function, and input the weight. The microwave will calculate the optimal defrosting time.

Quick Start

The Quick Start function allows the microwave to begin cooking immediately at maximum power for a preset duration. This is ideal for quick reheating tasks.

Automatic Start and Timer

You can program the microwave to start a cooking program at a specific time. The integrated timer can be set for up to 95 minutes for various cooking needs.

6. CLEANING AND MAINTENANCE

Regular cleaning ensures optimal performance and extends the lifespan of your microwave. Always unplug the appliance before cleaning.

- **Interior:** The ceramic-coated interior is designed for easy cleaning. Wipe the interior with a damp cloth and

mild detergent after each use. For stubborn stains, a mixture of water and lemon juice can be microwaved for a few minutes to loosen residue before wiping.

- **Exterior:** Clean the exterior surfaces with a soft, damp cloth. Avoid abrasive cleaners or solvents that could damage the finish.
- **Turntable:** The glass turntable and roller ring can be removed and washed in warm, soapy water or in a dishwasher. Ensure they are completely dry before placing them back in the microwave.
- **Door Seals:** Regularly clean the door seals and adjacent parts to ensure proper closure and prevent microwave leakage.

7. TROUBLESHOOTING

If you encounter issues with your microwave, consult the following common troubleshooting steps:

- **Microwave not starting:** Check if the door is fully closed. Ensure the appliance is plugged in and the circuit breaker has not tripped.
- **Food not heating:** Verify that the correct power level and cooking time have been set. Ensure you are using microwave-safe cookware.
- **Unusual noises:** Check if the turntable and roller ring are correctly positioned and free from obstructions.
- **Display not working:** Unplug the microwave for a few minutes, then plug it back in to reset the system.

If the problem persists after attempting these steps, please contact customer support.

8. SPECIFICATIONS

Feature	Specification
Brand	Cecotec
Model Name	GrandHeat 2000
Model Number	01375
Installation Type	Built-in
Capacity	20 Liters
Microwave Power	700 Watts (6 levels)
Grill Power	900 Watts
Voltage	230 Volts
Control Type	Buttons, Rotary Dial
Product Dimensions (D x W x H)	29D x 59.5W x 39H centimeters
Turntable Diameter	24.5 Centimeters
Interior Material	Ceramic
Number of Programs	9 (Pre-configured)
Defrost System Type	Automatic Defrost (by weight)

Special Features	Control panel lock, Turntable, Defrost, Programmable, Timer
Included Components	1 x microwave; 1 x turntable; 1 x metal grill; 1 x manual

9. WARRANTY AND SUPPORT

Warranty: The provided information states that the warranty description is 'Not applicable'. Please refer to your point of purchase or local consumer laws for specific warranty details.

Spare Parts Availability: Spare parts for this appliance are available in the EU for a duration of 10 years.

For further assistance, technical support, or inquiries regarding your Cecotec GrandHeat 2000 Built-in Microwave, please contact Cecotec customer service or visit the official Cecotec website.