

FSP HPT2-750M

FSP Hydro PTM Pro 750W Power Supply User Manual

Model: HPT2-750M

[Contents](#) [Setup](#) [Operation](#) [Introduction](#) [Safety Information](#) [Package](#)
[Maintenance](#) [Troubleshooting](#) [Specifications](#) [Warranty & Support](#)

1. INTRODUCTION

This manual provides detailed instructions for the installation, operation, and maintenance of your FSP Hydro PTM Pro 750W 80 Plus Platinum Full Modular ATX 12V Power Supply (Model: HPT2-750M). Please read this manual thoroughly before using the product to ensure proper function and safety.

The FSP Hydro PTM Pro series is designed for high efficiency and durability, featuring a conformal coating for protection against dust, humidity, and stains. It includes a semi-fanless Eco Mode for quiet operation under low loads and fully modular black ribbon cables for flexible system builds.

2. SAFETY INFORMATION

WARNING: Improper installation or use can result in serious injury or damage to the power supply and other components. Always follow these safety guidelines:

- Do not open the power supply unit. High voltages are present inside, and there are no user-serviceable parts. Opening the unit will void the warranty.
- Ensure the power supply is disconnected from the AC power outlet before installation or maintenance.
- Install the power supply in a well-ventilated area.
- Use only the modular cables provided with this power supply. Using incompatible cables may cause damage to the power supply and connected components.
- This product is designed for use in personal computers. Do not use it for any other purpose.
- Keep the power supply away from water, moisture, and extreme temperatures.
- Ensure all connections are secure before powering on the system.



Hydro PTM PRO

Model No. (型號 / 型号 / 모델명) : HPT2-750M

750W

AC Input 交流輸入 / 交流輸入 / 정격입력	100-240V~ 10-5A 50-60Hz				
DC Output --- 直流輸出 / 直流輸出	+3.3V	+5V	+12V	-12V	+5Vsb
Max Output Current 最大電流 / 最大電流 / 정격출력	20A	20A	62.5A	0.3A	3A
Max Combined Power 最大功率 / 最大功率	120W		750W	18.6W	
Total Power 額定功率 / 額定功率	750W				

SWITCHING POWER SUPPLY

Caution! Don't remove the cover by yourself! Fixing has to be done by qualified personnel only. No parts were used that need any maintenance.

Attention! Veuillez ne pas ouvrir le bloc. Seul du personnel qualifié est habilité à effectuer des réparations. Les composants utilisés ne requièrent aucun entretien.

Warnung! VOR DEM ÖFFNEN DES GERÄTES NETZSTECKER ZIEHEN. KEINE SERVICE RELEVANTEN BAUTEILE ENTHALTEN. SERVICEARBEITEN SOLLTEN NUR VON AUTORISIERTEM FACHPERSONAL DURCHFÜHRT WERDEN.

交換式電源供應器

注意：請勿自行開啟電源外殼，否則不予保固！

开关电源供应器

注意：勿自行开启电源外壳，否则不予质保！



컴퓨터용전원공급장치
YU10059-20004
R-R-Fsp-HPT2-750M
A/S Tel: 02-717-5774-5
제조자: Shenzhen Huli Electronics Co., Ltd
제조국가: 중국



This device complies with part 15 of the FCC Rules. Operation is subject to the following two conditions: (1) This device may not cause harmful interference and (2) this device must accept any interference received, including interference that may cause unintended operation.



FSP TECHNOLOGY INC.
NO. 22, Jianguo East Road, Taoyuan City,
Taiwan 330
Tel: +886-3-3759888

全漢企業股份有限公司 / 全汉企业股份有限公司
桃園市桃園區建國東路22號
電話：03-3759888

Fortron/Source (Europa) GmbH
Carl-Friedrich-Benz-Strasse 13, D-47877
Willich, Germany
Tel: 49-2154-894-012-0

中國製造 / 中国制造 / Made in China



P/N: PPA7505701

Image: Rear label of the FSP Hydro PTM Pro 750W power supply, showing electrical specifications and safety warnings, including a caution against opening the unit.

3. PACKAGE CONTENTS

Verify that all items are present in your package:

- FSP Hydro PTM Pro 750W Power Supply Unit (HPT2-750M)
- AC Power Cord
- Modular Cable Set (refer to the "Cable Length and Connectors" section for details)
- Mounting Screws
- User Manual (this document)



Image: The FSP Hydro PTM Pro 750W power supply unit, showcasing its compact design and modular ports.

4. SETUP AND INSTALLATION

4.1 Physical Installation

1. **Prepare Your System:** Ensure your computer is completely powered off and unplugged from the wall outlet.
2. **Remove Old Power Supply (if applicable):** Disconnect all cables from your old power supply and remove it from the PC case.
3. **Mount the Power Supply:** Insert the FSP Hydro PTM Pro 750W into the power supply bay of your PC case. Secure it with the provided mounting screws.
4. **Connect Motherboard Cables:**
 - Connect the 20+4 Pin ATX cable to your motherboard's main power connector.
 - Connect the 4+4 Pin CPU (EPS) cable(s) to your motherboard's CPU power connector(s).
5. **Connect Peripheral Cables:**
 - Connect the 6+2 Pin PCI-E cables to your graphics card(s).

- Connect SATA power cables to your SSDs, HDDs, and optical drives.
 - Connect Molex cables to any other peripherals requiring them.
6. **Secure Connections:** Ensure all modular cables are firmly seated into both the power supply and the respective components.
 7. **Connect AC Power:** Plug the AC power cord into the power supply's AC inlet and then into a wall outlet or surge protector.



Image: Side view of the FSP Hydro PTM Pro 750W power supply, highlighting the clearly labeled modular cable ports for easy connection.

4.2 Cable Length and Connectors

The FSP Hydro PTM Pro 750W comes with a set of fully modular black ribbon cables. Refer to the diagram below for connector types and approximate lengths.

Cable Length

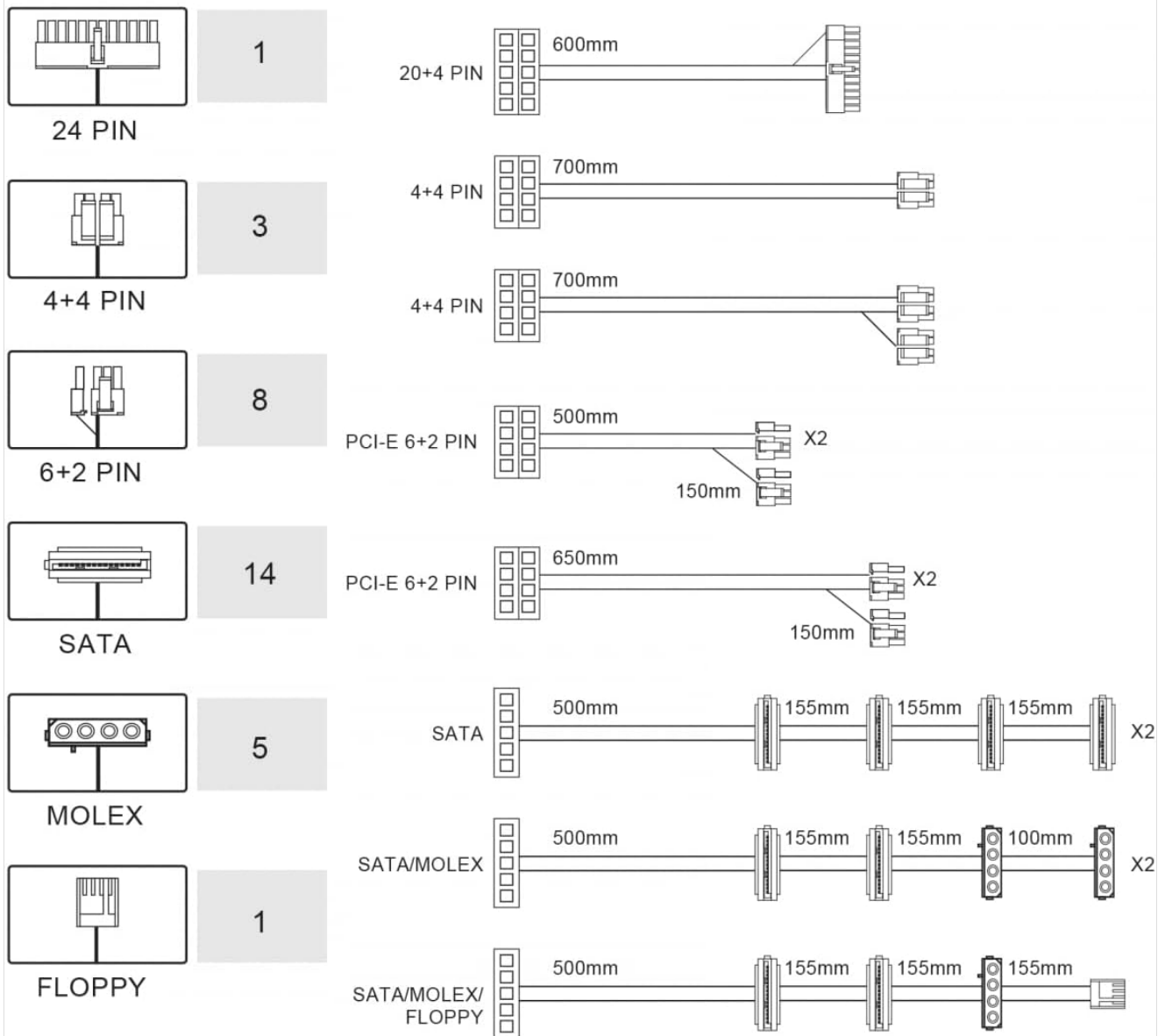


Image: Diagram illustrating the types and lengths of modular cables included with the FSP Hydro PTM Pro 750W power supply, including 24-pin, 4+4-pin, 6+2-pin PCI-E, SATA, and Molex connectors.

5. OPERATION

5.1 Powering On/Off

After completing the installation, ensure the main power switch on the back of the power supply is in the "ON" (I) position. You can then power on your computer using its case power button.

5.2 Eco Mode

The Hydro PTM Pro features a semi-fanless Eco Mode. When enabled, the power supply fan will remain off until the system load exceeds approximately 30%. This provides silent operation during low-power tasks.

- To activate Eco Mode: Locate the "ECO" switch next to the main power switch on the rear of the power supply and set it to the "ON" position.
- To disable Eco Mode: Set the "ECO" switch to the "OFF" position. The fan will operate continuously based on temperature.



Image: Rear view of the FSP Hydro PTM Pro 750W power supply, showing the AC inlet, main power switch, and the "ECO" switch for controlling the semi-fanless mode.

Your browser does not support the video tag.

Video: An overview of the FSP Hydro PTM Pro series, highlighting features like conformal coating, Eco Mode, and modular design. This video is provided by FSP GROUP USA.

6. MAINTENANCE

6.1 Cleaning

To maintain optimal performance and longevity, periodically clean your power supply:

- Ensure the power supply is completely powered off and unplugged from the AC outlet before cleaning.
- Use compressed air to gently remove dust from the fan grille and ventilation openings.
- Wipe the exterior with a soft, dry cloth. Do not use liquid cleaners or solvents.

6.2 Environmental Protection

The FSP Hydro PTM Pro features a proprietary conformal coating that protects internal components from dust, humidity, and stains. This allows the power supply to reliably operate in environments with up to 95% relative humidity. While this coating offers enhanced protection, it is still recommended to operate the power supply in a clean, dry environment for best results.

7. TROUBLESHOOTING

If you encounter issues with your power supply, refer to the following common problems and solutions:

Problem	Possible Cause	Solution
System does not power on.	<ul style="list-style-type: none">AC power cord not connected.Power supply switch is off.Loose cable connections.Faulty component.	<ul style="list-style-type: none">Ensure AC power cord is securely plugged into the PSU and wall outlet.Flip the power switch on the PSU to the "ON" (I) position.Check all modular cable connections (motherboard, CPU, GPU, peripherals).Test with minimal components (motherboard, CPU, one RAM stick) to isolate the issue.
System powers on but immediately shuts down.	<ul style="list-style-type: none">Overload or short circuit.Overheating.Faulty component.	<ul style="list-style-type: none">Verify total system wattage does not exceed PSU capacity.Check for any loose screws or metal objects causing a short circuit.Ensure proper airflow within the PC case.Disconnect non-essential components and test again.
Fan is not spinning (Eco Mode off).	<ul style="list-style-type: none">Fan malfunction.Insufficient load (if Eco Mode is on).	<ul style="list-style-type: none">Ensure Eco Mode switch is in the "OFF" position.If Eco Mode is off and the fan still doesn't spin under load, contact support.

If the problem persists after attempting these solutions, please contact FSP customer support.

8. SPECIFICATIONS

Feature	Detail
Model Name	Hydro PTM Pro (HPT2-750M)
Brand	FSP
Output Wattage	750W
80 Plus Certification	Platinum
Form Factor	ATX
Power Supply Design	Full Modular
Cooling Method	Air (135mm fan)
Input Voltage	115-240 Volts
Dimensions (L x W x H)	170 x 150 x 86 mm (6.7 x 5.9 x 3.4 inches)
Protections	OCP, OVP, SCP, OPP, UVP, OTP
Capacitors	Japanese-made Electrolytic Capacitors

Feature	Detail
PFC	Active PFC $\geq 99\%$
Conformal Coating	Yes (Dust, Humidity, Stain protection)



Image: The FSP Hydro PTM Pro 750W power supply with indicated dimensions: 170mm length, 150mm width, and 86mm height.

9. WARRANTY AND SUPPORT

9.1 Warranty Information

The FSP Hydro PTM Pro 750W power supply is covered by a **10-year warranty** from the date of purchase. This warranty covers defects in materials and workmanship under normal use. Please retain your proof of purchase for warranty claims.

The warranty does not cover damage resulting from:

- Improper installation or operation.
- Accidental damage, abuse, or misuse.
- Unauthorized repairs or modifications.
- Natural disasters or external causes.

9.2 Customer Support

For technical assistance, troubleshooting, or warranty inquiries, please contact FSP customer support. Refer to the official FSP website for the most up-to-date contact information.

FSP GROUP USA

[Visit the FSP Store on Amazon](#)