

XTRONS CM179A

XTRONS Android Car Overhead Player 17.3 Inch Monitor CM179A User Manual

Model: **CM179A** | Brand: **XTRONS**

1. INTRODUCTION AND OVERVIEW

This manual provides detailed instructions for the installation, operation, and maintenance of your XTRONS Android Car Overhead Player, Model CM179A. Please read this manual thoroughly before using the device to ensure proper functionality and safety.

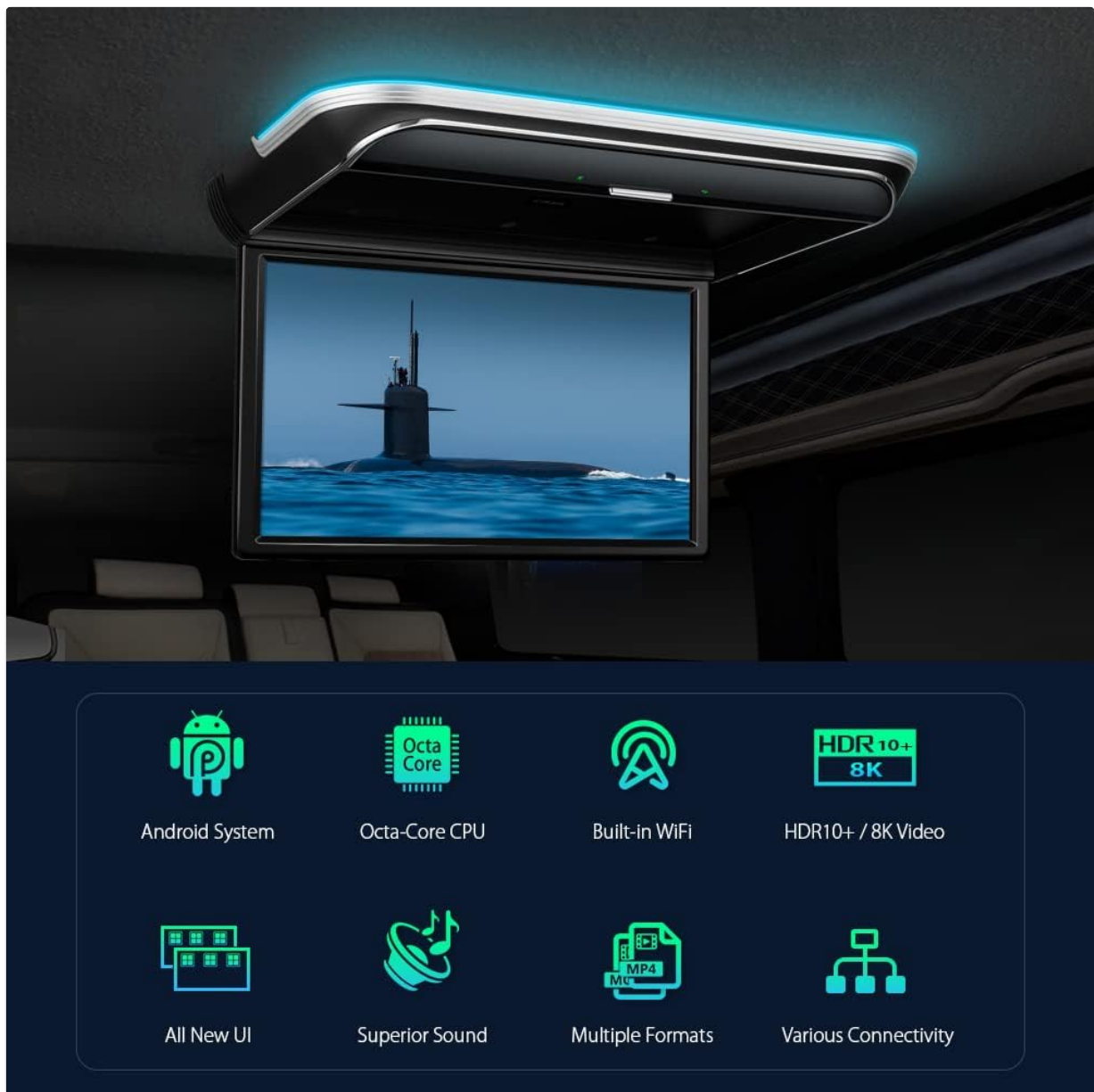


Image 1.1: The XTRONS 17.3-inch Android Car Overhead Player in a vehicle interior, with the screen folded down.

2. PRODUCT FEATURES

The XTRONS CM179A offers a range of features designed for in-car entertainment:

- **Android Operating System:** Equipped with an upgraded Android OS, Octa Core CPU, 2GB RAM, and 32GB ROM for app compatibility.
- **17.3-inch FHD IPS Screen:** Large digital screen with HDR10+ Technology and IPS for an immersive viewing experience with sharp images.
- **8K Video Support:** Capable of playing 8K, 4K, 2K, and 1080P format videos smoothly.
- **Versatile Connectivity:** Includes Screen Mirroring, HDMI, USB, and AV input.
- **Built-in Stereo Speakers:** Provides direct audio output without external speakers.
- **Bluetooth Audio Transmission:** Supports Bluetooth and IR headphones for alternative audio output.
- **WiFi Connectivity:** Connects to WiFi or mobile hotspots for online content.
- **Colorful Aura Lighting:** Customizable ambient lighting for enhanced aesthetics.

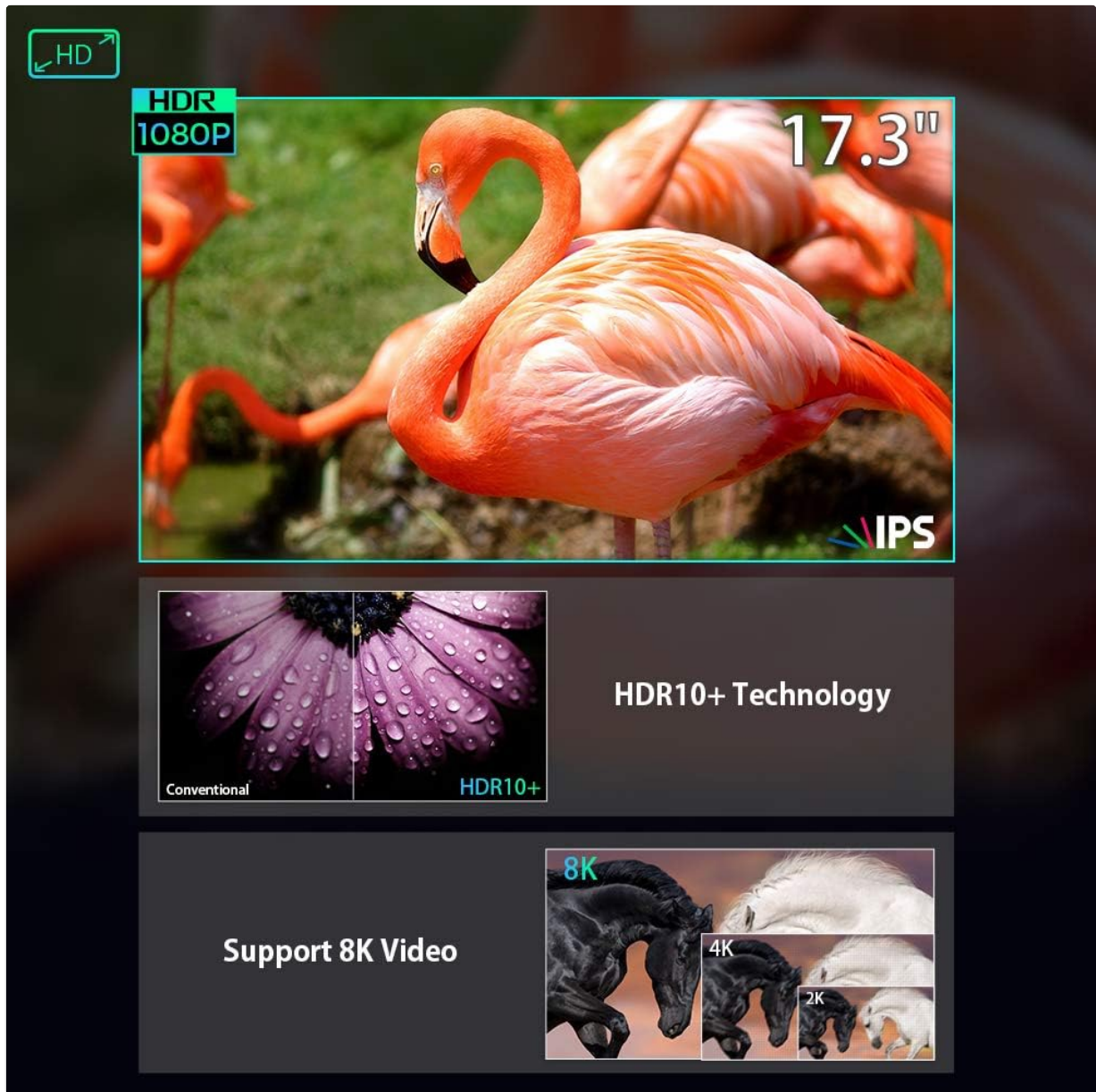


Image 2.1: The monitor's home screen showing icons for Music, Video, YouTube, File Manager, Settings, Downloads, and Video Input.



Image 2.2: The monitor displaying a movie, with popular streaming app logos visible at the bottom.

3. SETUP AND INSTALLATION

Proper installation is crucial for the performance and safety of your overhead player. It is recommended that installation be performed by a qualified professional.

3.1 Installation Steps

1. **Install the bracket:** Securely attach the mounting bracket to the car roof.
2. **Fix the player:** Attach the car roof player to the installed bracket using the provided screws.
3. **Connect power:** Connect the power cable to the vehicle's electrical system.

Installation Steps

1. Install the bracket to the car roof.
2. Fix the car roof player to the bracket with the screws.
3. Connect the power cable.

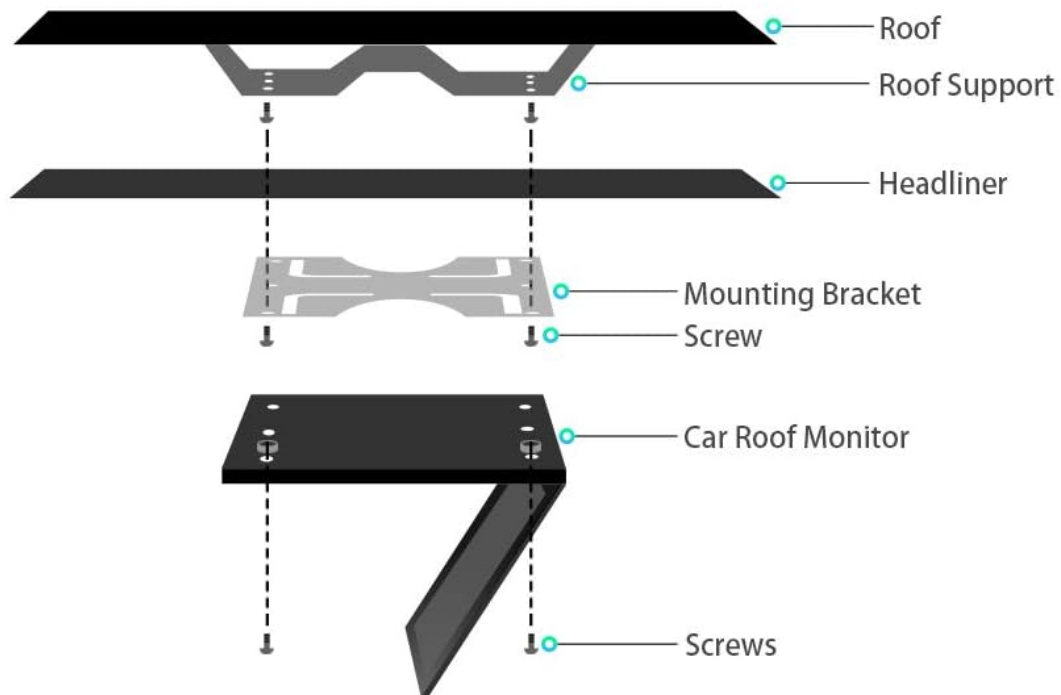


Image 3.1: Exploded view diagram illustrating the components and steps for mounting the monitor to the car roof, including the roof, roof support, headliner, mounting bracket, screws, and car roof monitor.

3.2 Wiring Harness

The wiring harness includes connections for power, door control, audio input, and video input. Ensure all connections are made correctly according to your vehicle's wiring diagram.



Image 3.2: Detailed diagram of the wiring harness, labeling connections such as B+, ACC, GND, Door Control -, Door Control +, Audio Left Input, Audio Right Input, Video Input 1, and Video Input 2.

4. OPERATING INSTRUCTIONS

The XTRONS CM179A operates similarly to other Android devices. Navigate the interface using the remote control or virtual touch buttons.

4.1 Screen Rotation

The screen can be rotated up to 170 degrees to adjust the viewing angle for optimal comfort.

4.2 Virtual Touch Buttons

The unit features virtual touch buttons that illuminate when powered on, maintaining a clean aesthetic.

4.3 Aura Lighting

Customize the ambient lighting with multiple color options to match your vehicle's interior or personal preference.



Image 4.1: The monitor with its customizable aura lighting feature, displaying various color options.

5. CONNECTIVITY

The CM179A offers diverse connectivity options for various devices and media sources.

5.1 Screen Mirroring

Share content from your mobile phone (Android 8.0+ or iOS 9.0+) directly to the monitor without needing additional apps.

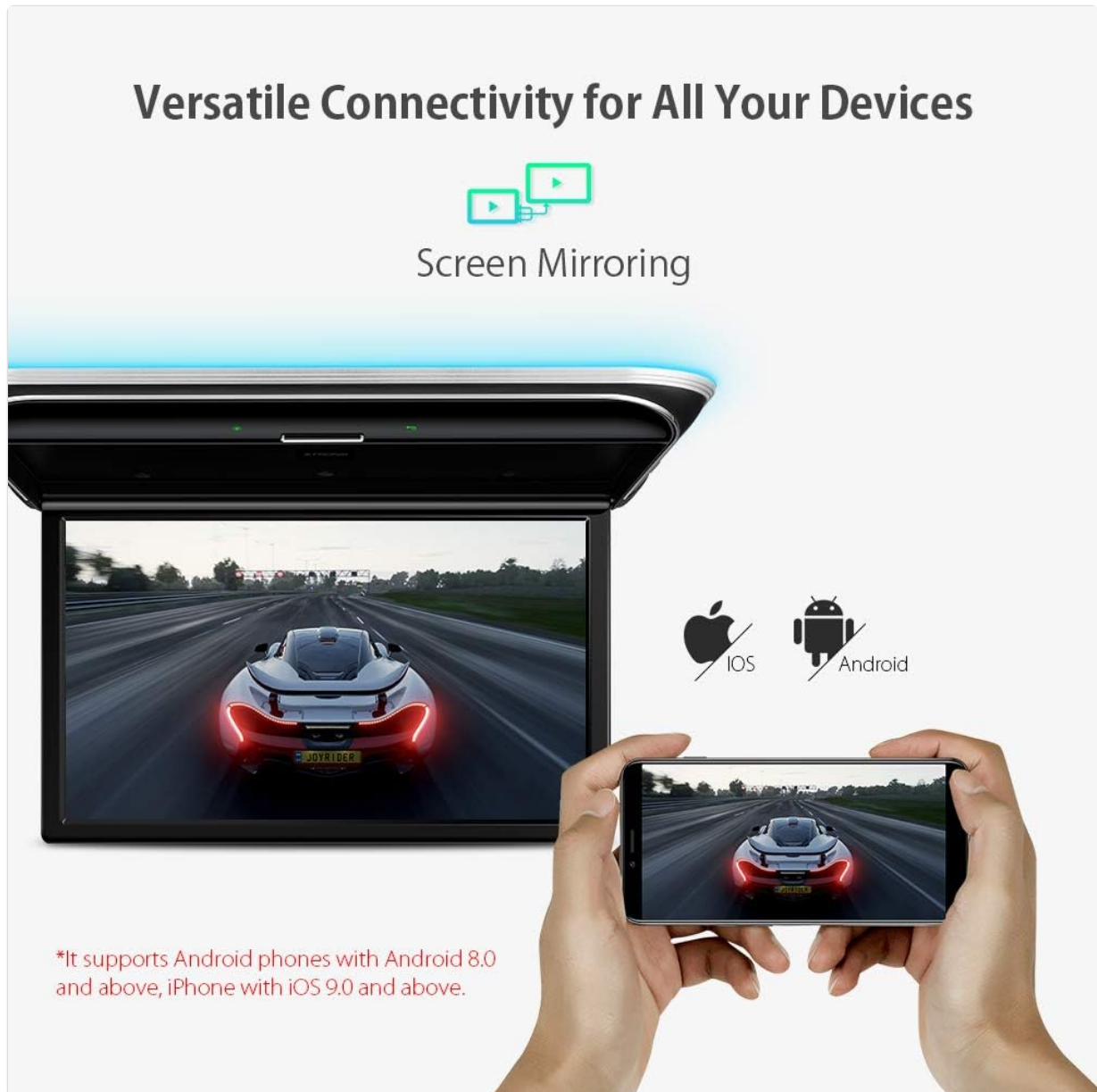


Image 5.1: A smartphone screen being mirrored onto the overhead monitor, showing a racing game.

5.2 HDMI Input

Connect external HDMI devices such as game consoles, digital TV receivers, cameras, or video recorders to display content on the screen.

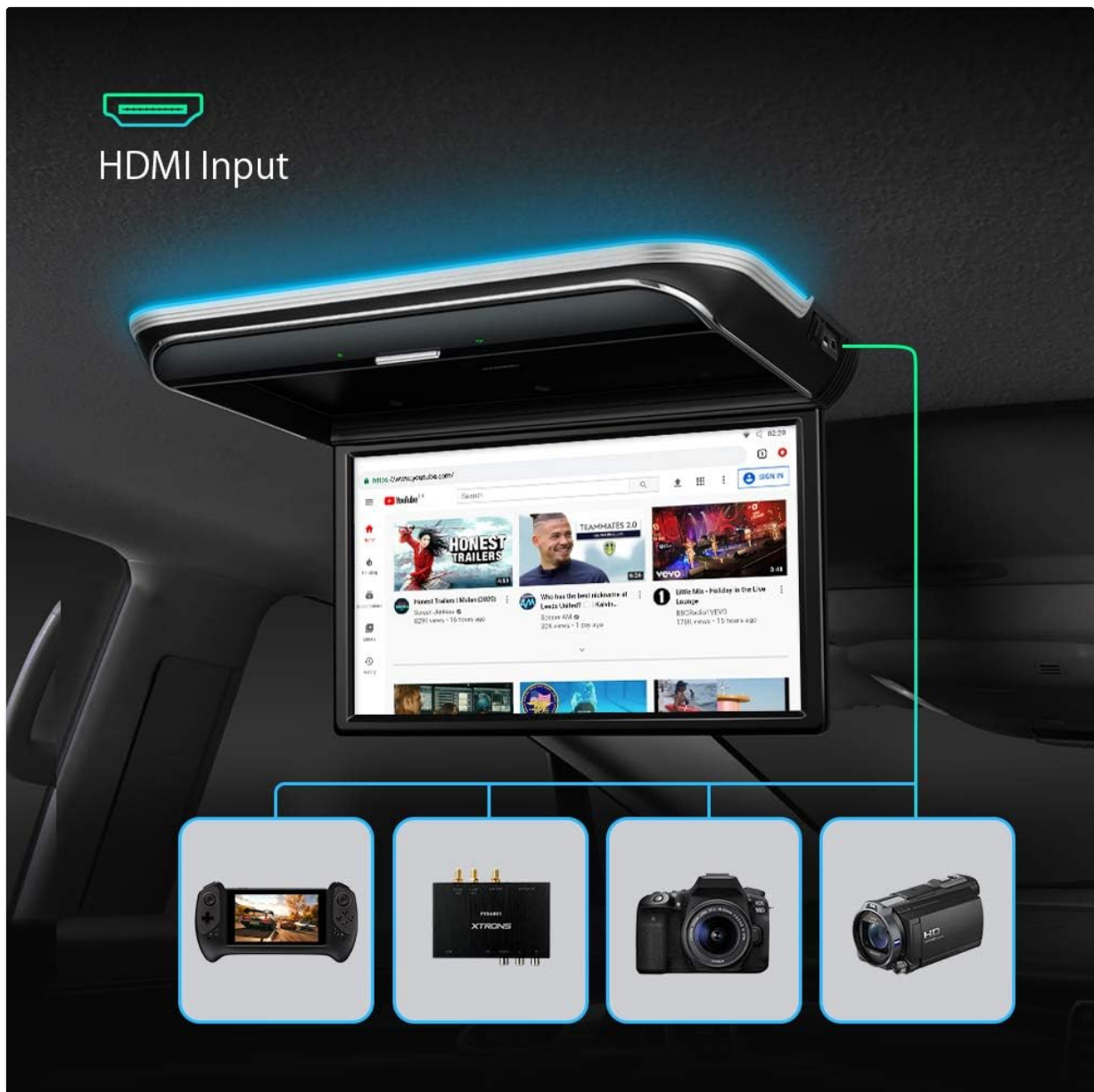


Image 5.2: The monitor displaying YouTube content, with icons below representing a game console, XTRONS digital TV box, camera, and video recorder as potential HDMI input sources.

5.3 USB and AV Input

Share media content by inserting a USB flash drive or connecting to a car head unit using RCA cables.

5.4 WiFi and 3G/4G Dongle Support

Utilize the built-in WiFi for internet access or connect an optional external 3G/4G dongle for mobile data connectivity.

6. AUDIO OUTPUT OPTIONS

The CM179A provides multiple ways to enjoy audio:

- **Built-in Speakers:** Enjoy audio directly through the integrated stereo speakers.
- **Bluetooth Headphones:** Connect compatible Bluetooth headphones for private listening.
- **IR Headphones:** Use IR headphones for wireless audio.
- **FM Transmitter:** Transmit audio to your vehicle's FM radio for playback through the car's sound system.

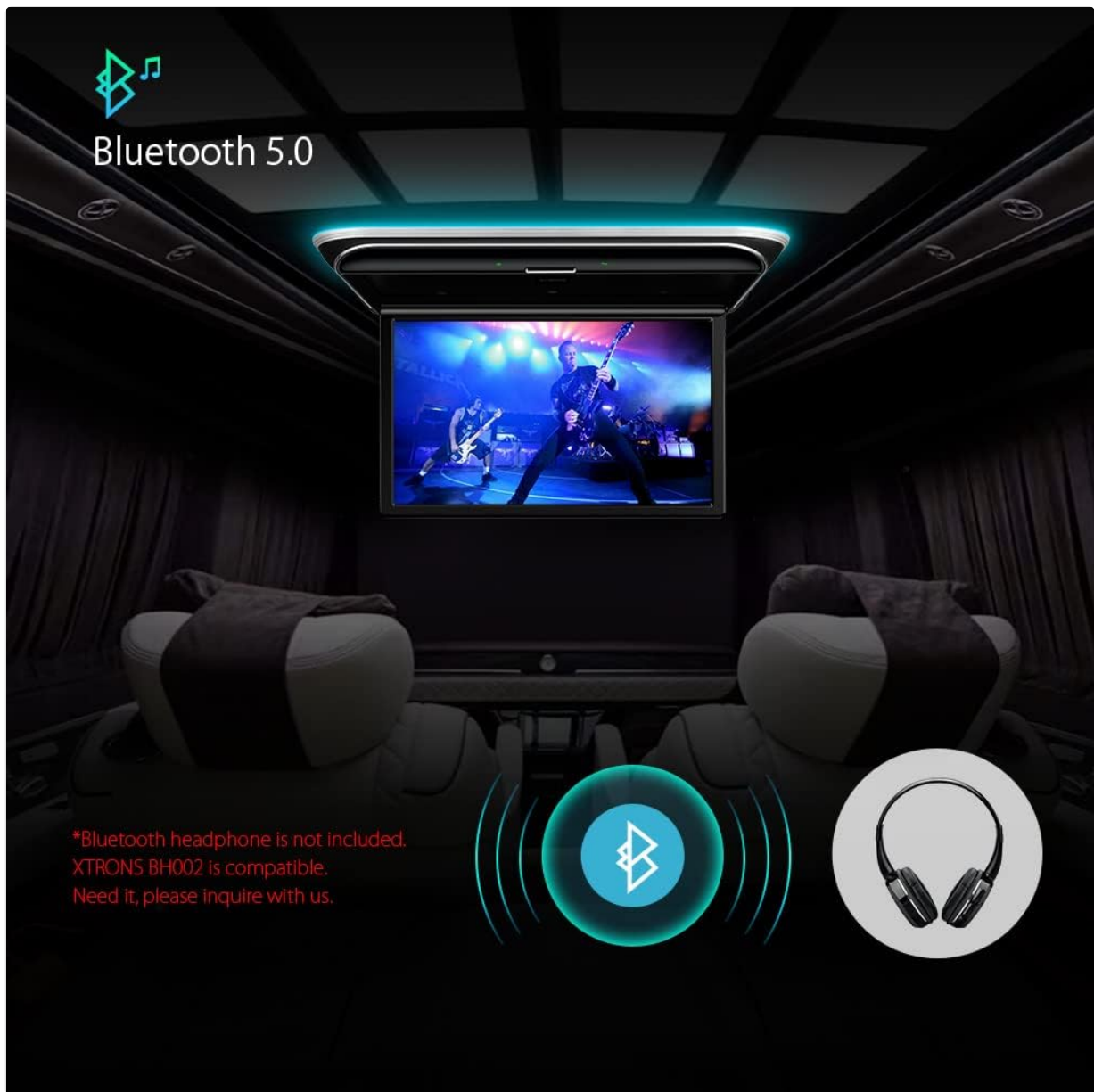


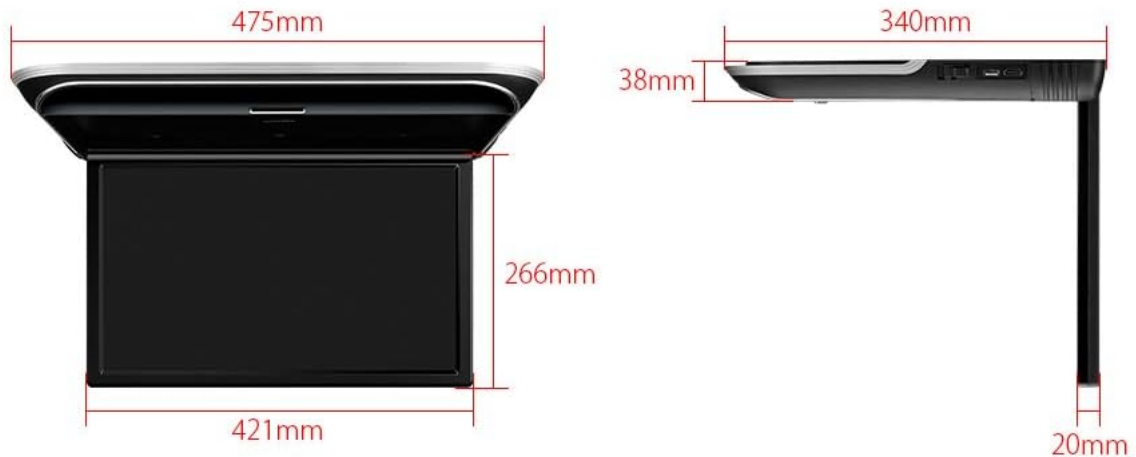
Image 6.1: The monitor displaying a music video, with a Bluetooth 5.0 icon and headphones indicating wireless audio output capability.

7. SPECIFICATIONS

Feature	Specification
Brand	XTRONS
Model Number	CM179A (Derived from product information)
Screen Size	17.3 Inches
Display Type	LCD (IPS Panel)
Native Resolution	1920x1080 (FHD)
Video Support	Up to 8K, 4K, 2K, 1080P
Connectivity Technology	Wi-Fi, Bluetooth 5.0, HDMI, USB, AV In

Compatible Devices	Smartphone (Android 8.0+, iPhone 9.0+), Game Consoles, Digital TV Boxes, Cameras, Video Recorders
Item Dimensions (L x W x H)	18.7" x 11.97" x 11.97" (Approx. 475mm x 304mm x 304mm when folded)
Item Weight	4.99 Kilograms
Color	Black

Size



Accessories

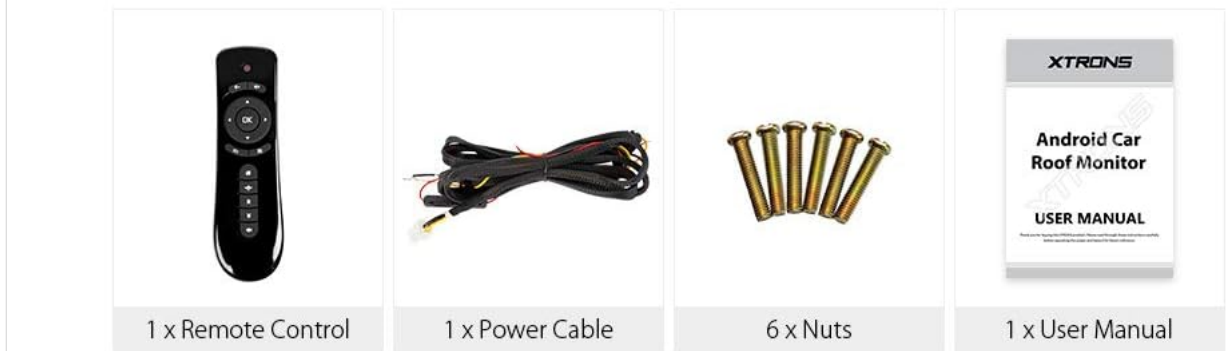


Image 7.1: Dimensions of the monitor (475mm x 266mm x 38mm when closed, 421mm screen width) and a list of included accessories: 1x Remote Control, 1x Power Cable, 6x Nuts, 1x User Manual.

8. MAINTENANCE

To ensure the longevity and optimal performance of your XTRONS CM179A, follow these maintenance guidelines:

- **Cleaning:** Use a soft, dry cloth to clean the screen and exterior. Avoid abrasive cleaners or solvents.
- **Temperature:** Operate the device within recommended temperature ranges. Avoid extreme heat or cold.

- **Power:** Ensure the device is properly powered off when not in use to prevent battery drain.
- **Software Updates:** Periodically check for and install software updates to improve performance and add new features.

9. TROUBLESHOOTING

If you encounter issues with your XTRONS CM179A, refer to the following common troubleshooting steps:

- **No Power:** Check all power connections. Ensure the vehicle's ignition is on if wired to ACC.
- **No Picture:** Verify video input source selection. Check HDMI/AV cable connections.
- **No Sound:** Check volume levels. Ensure correct audio output is selected (built-in speakers, Bluetooth, IR, FM).
- **Screen Mirroring Issues:** Ensure your mobile device is compatible and connected to the same network (if applicable) or directly.
- **App Performance:** If apps are slow or unresponsive, try restarting the device or clearing app caches.
- **Remote Control Not Working:** Check battery levels in the remote. Ensure no obstructions between the remote and the unit.

For persistent issues, contact XTRONS customer support.

10. WARRANTY AND SUPPORT

The XTRONS CM179A comes with a **1-Year Manufacturer Warranty**.

For technical support, warranty claims, or further assistance, please contact XTRONS customer service through their official channels or the seller on the platform where the product was purchased.

Your browser does not support the video tag.

Video 10.1: An official XTRONS product video demonstrating the features and functionality of the Android Car Overhead Player CM179A. This video provides a visual guide to the device's capabilities, including its Android system, screen quality, connectivity options, and design elements.