

[Manuals.plus](#) /

> [AQQA](#) /

> AQQA Aquarium Electric Power Sponge Filter Instruction Manual for Model FUS-AQ016-S

AQQA FUS-AQ016-S

AQQA Aquarium Electric Power Sponge Filter Instruction Manual

Model: FUS-AQ016-S

INTRODUCTION

The AQQA Electric Power Sponge Filter is designed to provide efficient physical and biochemical filtration for both saltwater and freshwater aquariums. This submersible filter features a powerful, quiet motor and a dual-stage filtration system to maintain optimal water quality and increase oxygen content. This manual provides detailed instructions for setup, operation, and maintenance to ensure the best performance of your filter.

PRODUCT FEATURES

- **Upgrade Electric Power Filter:** Features a powerful motor, eliminating the need for an external air pump. Operates efficiently with low energy consumption and a noise level below 30dB for a quiet environment.
- **Double Filtration System:** Combines physical filtration (biochemical cotton with ribbing design for increased surface area) and biochemical filtration (bio ceramic media balls for improved water purification and beneficial bacteria cultivation).
- **Adjustable Water Outlet:** The water outlet can be adjusted 360° and is retractable to adapt to various tank depths. It can be submerged or positioned above the water surface to purify water, increase circulation, and enhance oxygen content.
- **Comprehensive Accessories:** Includes 4 sponges (2 spare), 1 bag of bio ceramic media balls, and 2 strong suction cups for secure installation. The filter box can accommodate additional or alternative filter media.
- **Versatile Use:** Suitable for both saltwater and freshwater aquarium environments.

PACKAGE CONTENTS

Please ensure all items are present before proceeding with setup:

- 1 x AQQA Electric Power Sponge Filter Unit (with motor)
- 4 x Biochemical Filter Sponges (2 pre-installed, 2 spare)
- 1 x Bag of Bio Ceramic Media Balls
- 2 x Suction Cups
- 1 x Retractable Water Outlet Pipe

SETUP INSTRUCTIONS

Follow these steps to correctly set up your AQQA Electric Power Sponge Filter:

1. **Unpack and Inspect:** Carefully remove all components from the packaging. Inspect for any damage.
2. **Assemble Filter Components:** Attach the biochemical sponges to the filter base. Ensure the motor unit is securely placed. The filter is designed for easy assembly and disassembly.
3. **Add Filter Media:** Place the bio ceramic media balls into the designated filter box compartments. Ensure any spare sponges are removed from the filter box before use.
4. **Attach Water Outlet:** Connect the retractable water outlet pipe to the motor unit. Adjust its height and direction as needed for your aquarium setup.
5. **Install in Aquarium:** Use the provided suction cups to securely attach the filter to the inside wall of your aquarium. Ensure the filter is fully submerged in water.
6. **Prime the Filter:** Before plugging in, ensure the filter is completely immersed in water. Gently squeeze the sponges repeatedly until they are full of water and sink to the bottom of the fish tank. This removes trapped air and ensures proper operation.
7. **Connect to Power:** Plug the filter into a suitable power outlet. The filter will begin operating, providing oxygenation and filtration.

Upgrade Electric Power Sponge Filter



No air pump required

An exploded view of the AQQA Electric Power Sponge Filter, highlighting its powerful motor, filter biochemical sponges, 5.6ft cord, and American standard plug. No external air pump is required for operation.

Your browser does not support the video tag.

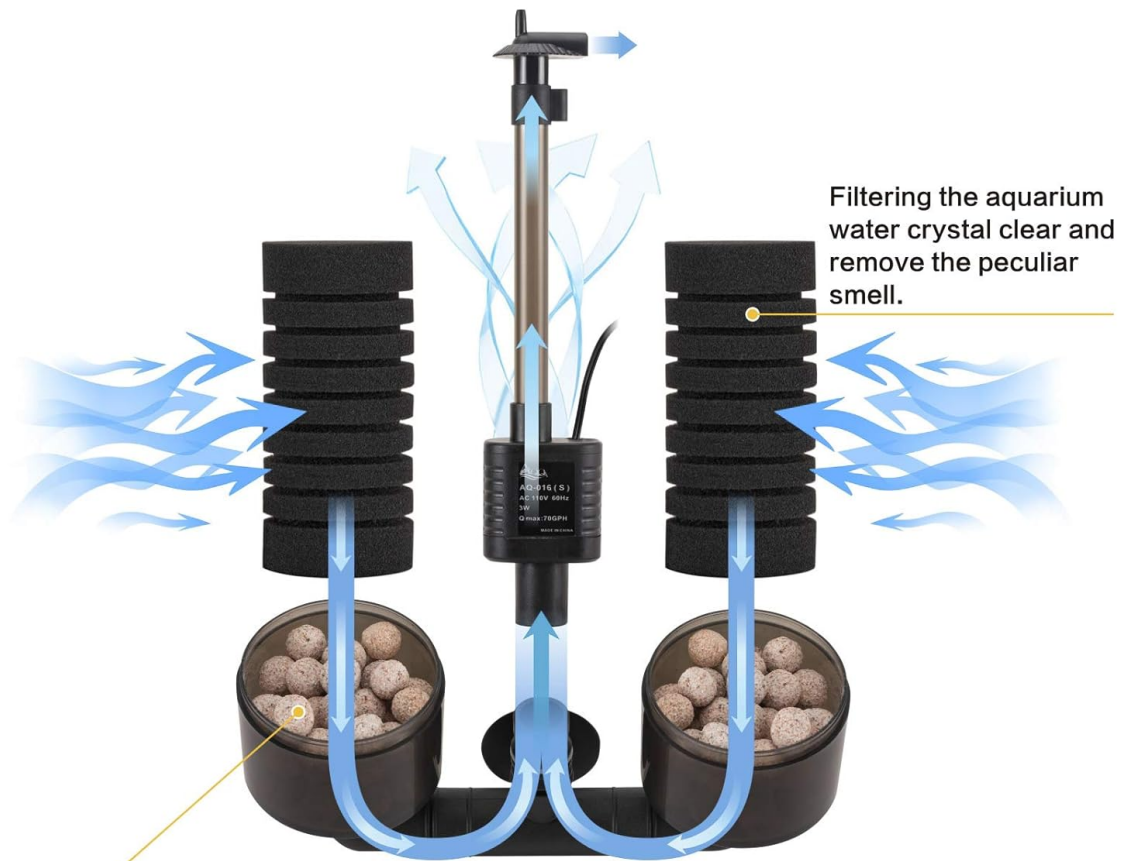
Official AQQA video demonstrating the assembly, installation, and quiet operation of the Aquarium Sponge Filter, highlighting its oxygenation, filtration, and energy-saving features.

OPERATING INSTRUCTIONS

Once installed and powered on, the AQQA Electric Power Sponge Filter will begin its operation:

1. **Continuous Filtration:** The powerful motor will draw water through the biochemical sponges for physical filtration, removing debris and residues.
2. **Biological Processing:** Water then passes through the bio ceramic media balls, where beneficial bacteria cultivate to purify water quality and decompose harmful substances.
3. **Oxygenation:** The filter's operation increases water circulation and oxygen content in the aquarium, crucial for fish health.
4. **Adjust Water Flow:** The 360° adjustable water outlet allows you to direct the flow as desired, minimizing surface disturbance or maximizing aeration.

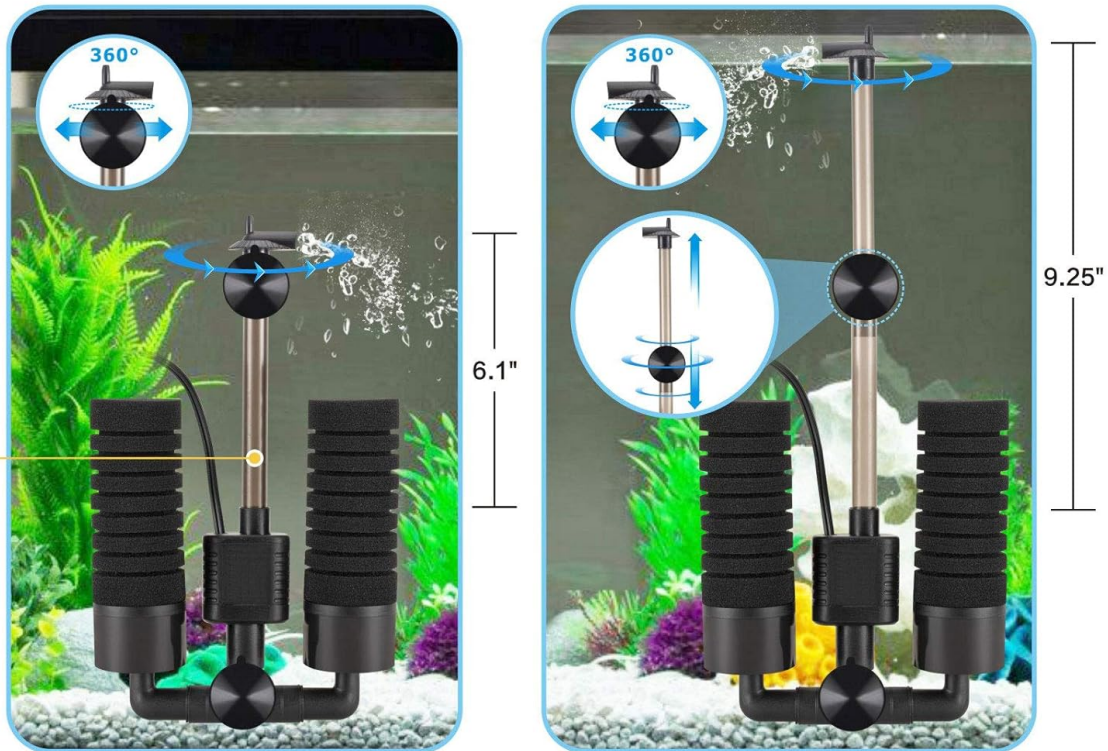
Double Filter



Bio Ceramic Media Balls will remove harmful substance Cultivate beneficial bacteria and increase dissolved oxygen.

Diagram illustrating the double filtration process of the AQQA filter, showing water flowing through biochemical sponges for physical filtration and bio ceramic media balls for biochemical filtration, resulting in clear water and increased dissolved oxygen.

360° adjust the water outlet



The height of the water outlet can be adjusted, which can be higher than the water surface or can be submerged in the water.

Images demonstrating the 360° adjustable and retractable water outlet, which can be positioned above or submerged in the water to suit various aquarium depths.

MAINTENANCE

Regular maintenance ensures the longevity and efficiency of your AQQA Electric Power Sponge Filter:

- Sponge Cleaning:** Periodically remove the biochemical sponges and gently clean them with water from the fish tank. Avoid using tap water directly as it may contain chlorine that harms beneficial bacteria.
- Media Ball Cleaning:** The bio ceramic media balls should also be rinsed gently with aquarium water during sponge cleaning. Note that new media balls may have a layer of protective powder, which is normal and should be rinsed off before first use.
- Motor Inspection:** Occasionally inspect the motor and impeller for any debris or blockages. Clean as necessary to maintain optimal flow.
- Replacement:** The filter comes with 2 spare sponges. Replace sponges when they show significant wear or clogging that cannot be cleaned.



Image illustrating the process of removing and cleaning the biochemical sponges from the filter unit.



The AQQA filter shown with four sponges, emphasizing that spare sponges are included and should be removed from the filter box before initial use.

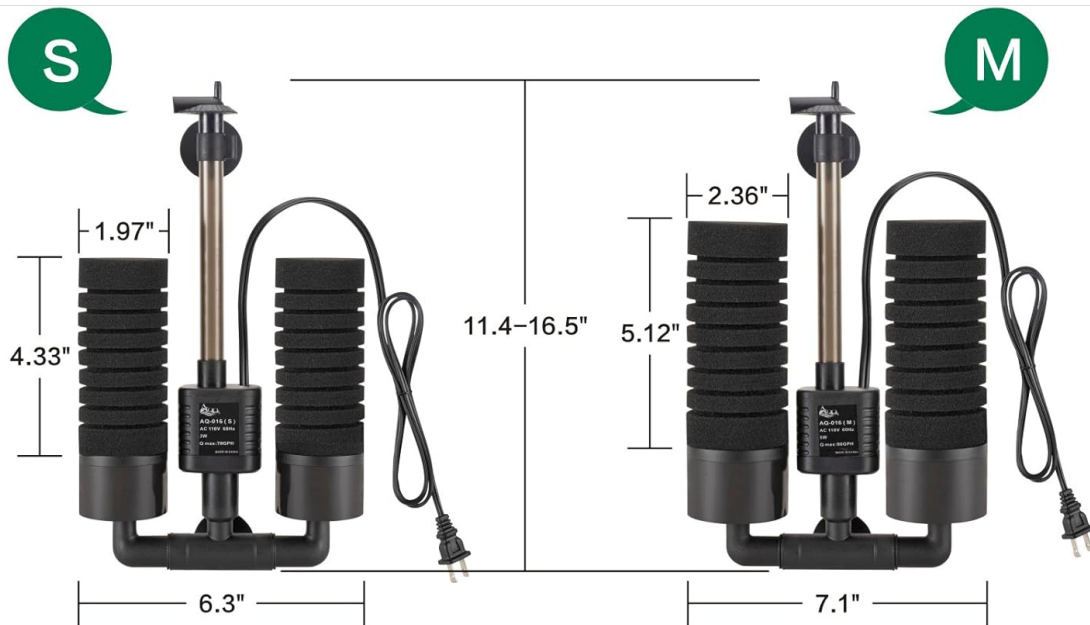
TROUBLESHOOTING

If you encounter any issues with your AQQA Electric Power Sponge Filter, please refer to the following common solutions:

- **Reduced Flow:** Check if the sponges are clogged and require cleaning. Inspect the motor and impeller for any blockages. Ensure the water outlet is not obstructed.
- **Excessive Noise:** Ensure the filter is fully submerged and securely attached to the tank wall. Check for any trapped air within the unit; re-prime if necessary. Inspect the impeller for damage or debris.
- **Filter Not Starting:** Verify that the power cord is securely plugged into a working outlet. Ensure the motor is properly assembled and free of obstructions.
- **Cloudy Water:** This may indicate insufficient filtration or an imbalance in the aquarium's biological cycle. Perform regular water changes and ensure filter media is clean and functioning correctly.

SPECIFICATIONS

Feature	Specification
Brand	AQQA
Model Number	FUS-AQ016-S
Power (S model)	3W
Power (M model)	5W
Max Flow (S model)	79 GPH (300 L/H)
Max Flow (M model)	132 GPH (500 L/H)
Applicable Tank Size (S model)	10-40 Gallons
Applicable Tank Size (M model)	20-55 Gallons
Cord Length	5.6 ft (1.7 m)
Noise Level	< 30dB
Filtration Type	Physical & Biochemical
Water Type	Saltwater & Freshwater



Size	S	M
Sponge Dimension	1.97"D*4.33"H	2.36"D*5.12"H
Inner Diameter of Sponge	0.51"	0.62"
Applicable Tank	< 40 Gal	< 55 Gal
Power	3 W	5 W
Cord length	1.7M (5.6FT)	1.7M (5.6 FT)
Retractable Outlet Pipe Length	6.1"~9.25"	6.1"~9.25"
Capacity of Ceramic Pearls Container	100 ml	200 ml

A detailed table outlining the dimensions, power, GPH, applicable tank size, cord length, retractable outlet pipe length, and ceramic pearls container capacity for both Small (S) and Medium (M) models of the AQQA filter.

WARRANTY & SUPPORT

AQQA is committed to providing quality products and customer satisfaction.

- **Warranty:** This product comes with a 1-year warranty from the date of purchase.
- **Customer Support:** For any questions, concerns, or technical assistance, please feel free to contact AQQA customer service.

AQQA Aquarium accessories, Quality A+



Long term and quality
after-sales service



Please feel free to contact us
if you have any questions



Warranty period 1 year

Image displaying AQQA's commitment to long-term after-sales service, contact information, and a 1-year warranty period.