



[Manuals.plus](#) /

› [BERTOLINI](#) /

› BERTOLINI M. TV RT 3069 TV Stand Instruction Manual

BERTOLINI 3069

BERTOLINI M. TV RT 3069 TV Stand Instruction Manual

Model: RT 3069

1. INTRODUCTION

This manual provides detailed instructions for the assembly, operation, and maintenance of your BERTOLINI M. TV RT 3069 TV Stand. This unit is designed to accommodate televisions up to 42 inches and features two drawers with metallic slides, ample shelf space, and various compartments for media devices and accessories. Please read all instructions carefully before beginning assembly and retain this manual for future reference.

2. SAFETY INFORMATION

- Always read and understand all instructions before assembly and use.
- Keep all small parts and packaging materials away from children and pets to prevent choking hazards.
- Assemble the unit on a soft, clean surface to prevent scratches.
- Ensure all fasteners are securely tightened before use. Periodically check and re-tighten fasteners as needed.
- Do not overload the TV stand. Adhere to the maximum screen size and weight limits specified in the 'Specifications' section.
- Distribute weight evenly across the unit to maintain stability.
- If wall anchoring is desired or required for stability, ensure appropriate hardware and methods are used for your wall type.

3. PACKAGE CONTENTS

Before beginning assembly, verify that all components and hardware are present. Refer to the parts list included in your product packaging. If any parts are missing or damaged, do not proceed with assembly. Contact BERTOLINI customer support for assistance.

4. SETUP AND ASSEMBLY INSTRUCTIONS

The BERTOLINI M. TV RT 3069 TV Stand requires self-assembly. Follow the step-by-step instructions provided in the separate assembly guide included in your product packaging. It is recommended to have two people for assembly.

1. **Unpack and Identify Parts:** Carefully unpack all components and lay them out on a clean, soft surface. Identify each part using the provided assembly diagram.
2. **Assemble the Main Frame:** Follow the numbered steps in the assembly guide to construct the main body of the TV stand. Ensure all panels are correctly oriented.
3. **Install Drawers:** Assemble the two drawers according to the instructions. Install the metallic slides onto both the drawers and the main frame, ensuring smooth operation.
4. **Attach Legs:** Securely attach the support legs to the base of the TV stand.
5. **Final Checks:** Once assembled, gently move the unit to its desired location. Verify that all screws and fasteners are tight and that the unit is stable and level.



Image 1: Fully assembled BERTOLINI M. TV RT 3069 TV Stand, showcasing its two drawers and open shelves.

5. OPERATING INSTRUCTIONS

The BERTOLINI M. TV RT 3069 TV Stand is designed for functional use as a media console.

- **TV Placement:** Place your television centrally on the top surface. Ensure the TV base fits within the

dimensions of the stand and does not exceed the recommended screen size of 42 inches.

- **Weight Distribution:** Distribute the weight of your TV and other media devices evenly across the top surface and shelves. Avoid placing excessively heavy items on one side.
- **Drawer Usage:** The two drawers are equipped with metallic slides for smooth operation. Use them for storing remote controls, cables, or other small accessories. Avoid forcing the drawers if they encounter resistance.
- **Cable Management:** Utilize the open compartments and the space behind the unit to organize and route cables for your media devices, ensuring a tidy appearance and preventing tripping hazards.

6. MAINTENANCE

Proper care will extend the life and appearance of your TV stand.

- **Cleaning:** Wipe surfaces with a soft, slightly damp cloth. Avoid using abrasive cleaners, harsh chemicals, or solvents, as these can damage the UV paint finish.
- **Dusting:** Regularly dust the unit with a dry, soft cloth.
- **Fastener Check:** Periodically check all screws and fasteners to ensure they remain tight. Re-tighten if necessary to maintain structural integrity.
- **Avoid Direct Sunlight:** Prolonged exposure to direct sunlight can cause fading or discoloration of the finish.

7. TROUBLESHOOTING

If you encounter issues with your BERTOLINI M. TV RT 3069 TV Stand, refer to the following common problems and solutions:

Problem	Possible Cause	Solution
Unit feels unstable or wobbly.	Loose fasteners; uneven floor; incorrect assembly.	Check and tighten all screws. Ensure the unit is on a level surface. Review assembly steps.
Drawers do not slide smoothly or get stuck.	Misaligned drawer slides; obstruction; incorrect drawer assembly.	Ensure drawer slides are correctly installed and aligned. Check for any objects obstructing the slides. Re-check drawer assembly.
Parts detach or fall off after assembly.	Fasteners not fully tightened; incorrect part orientation during assembly.	Thoroughly re-tighten all fasteners. Carefully review the assembly guide to ensure all parts are correctly positioned.

If you are unable to resolve an issue, please contact BERTOLINI customer support.

8. SPECIFICATIONS

- **Model:** RT 3069
- **Brand:** BERTOLINI
- **Dimensions (L x H x D):** 126 cm x 48 cm x 40 cm (approximately 49.6 in x 18.9 in x 15.7 in)

- **Weight:** 21.8 kg (approximately 48.06 lbs)
- **Maximum Screen Size:** Up to 42 inches
- **Features:** UV paint finish, 2 drawers with metallic slides, ample shelf space, various compartments.
- **Assembly Required:** Yes

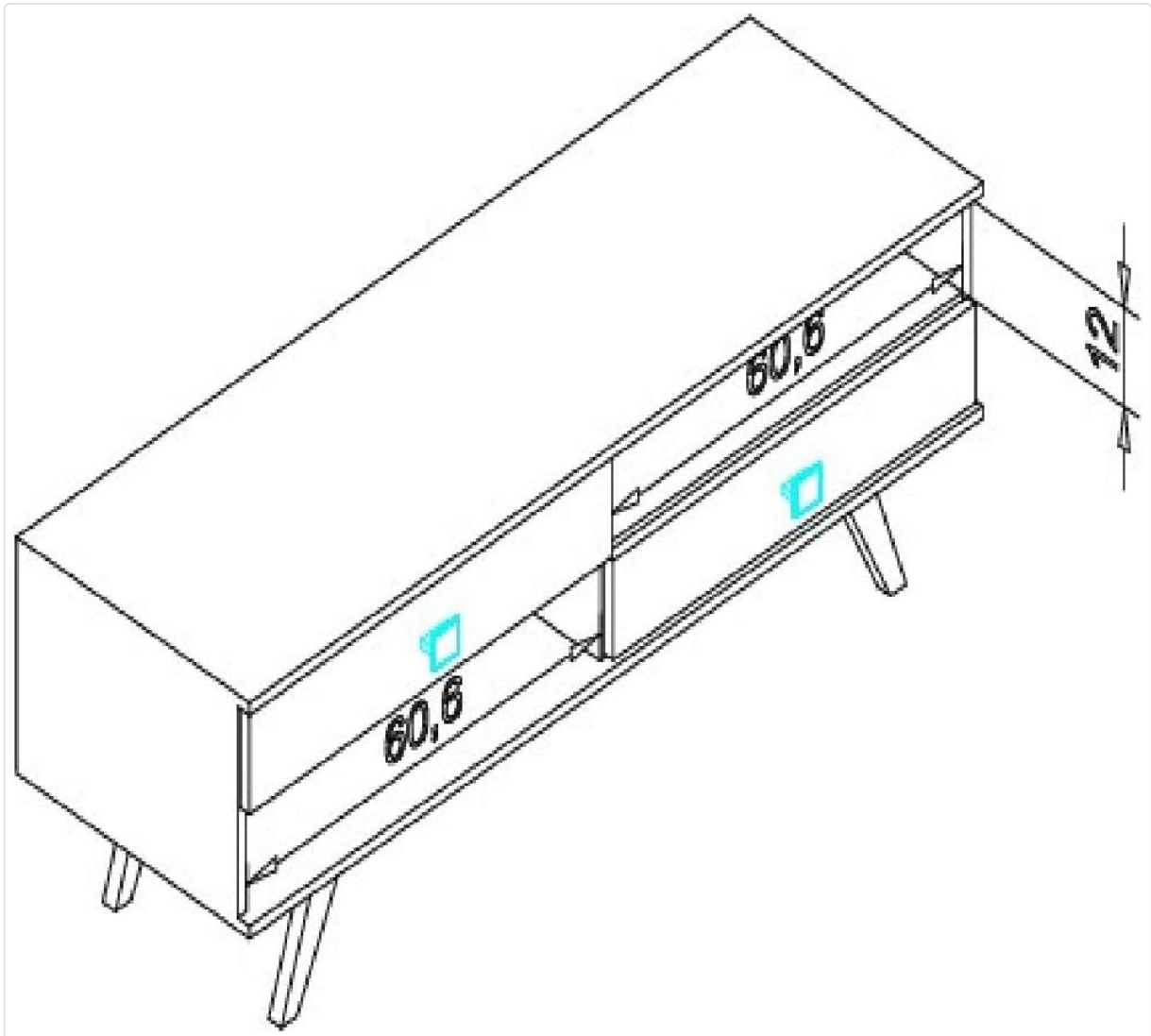


Image 2: Top-down view of the TV stand with key dimensions, showing the 60.6 cm width for each drawer section.

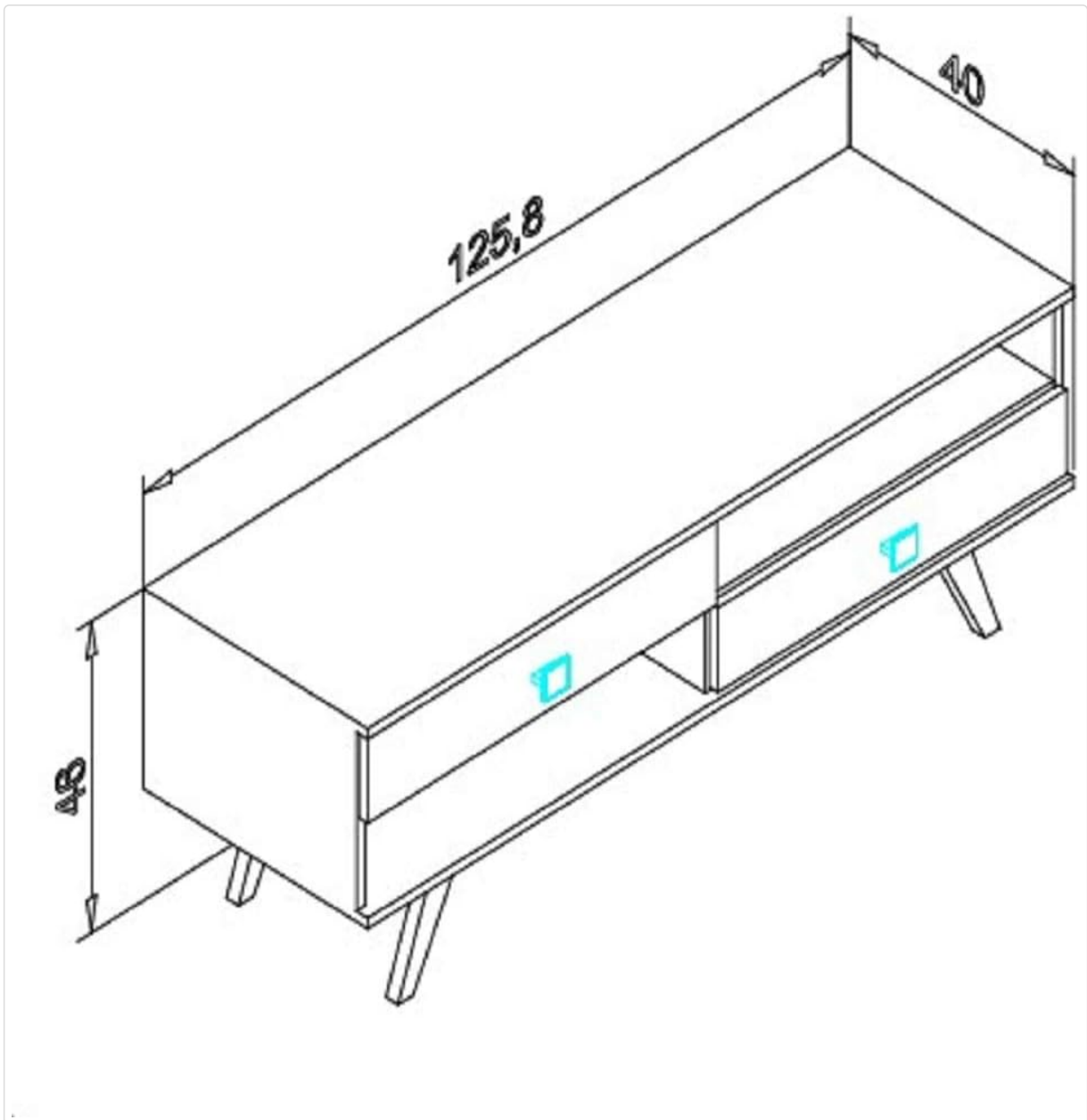


Image 3: Side view of the TV stand with overall dimensions, indicating a length of 125.8 cm, height of 48 cm, and depth of 40 cm.

9. WARRANTY AND SUPPORT

This BERTOLINI product comes with a 3-month warranty against manufacturing defects. This warranty covers defects in materials and workmanship under normal use. It does not cover damage resulting from improper assembly, misuse, accidents, or unauthorized modifications.

For warranty claims, missing parts, or technical support, please contact BERTOLINI customer service. Have your purchase receipt and product model number (RT 3069) ready when contacting support.