

IMEX BDR001-4

IMEX Roma BDR001-4 Shower, Bathtub, and Bathroom Faucet Instruction Manual

PRODUCT OVERVIEW

The IMEX Roma BDR001-4 is a high-quality, wall-mounted faucet system designed for shower, bathtub, and general bathroom use. Crafted from durable brass with a polished finish, this unit features three handles for precise control over water temperature and flow, including a diverter for switching between shower and bath functions. Its robust construction ensures longevity and reliable performance in your bathroom.

SAFETY INFORMATION

- Always turn off the main water supply before beginning any installation or maintenance work.
- Ensure all connections are properly sealed to prevent leaks.
- If you are unsure about any part of the installation process, consult a qualified plumber.
- Do not use abrasive cleaners or harsh chemicals on the faucet's polished finish, as this may cause damage.
- Protect the product from freezing temperatures, which can cause damage to internal components.

PACKAGE CONTENTS

Please verify that all components are present before beginning installation:

- IMEX Roma BDR001-4 Faucet Body
- Three Control Handles
- Wall Mounting Hardware
- Handheld Shower Head (if included in your specific model)
- Shower Hose (if included in your specific model)
- Installation Guide (this document)

SPECIFICATIONS

Feature	Detail
Brand	IMEX
Model	BDR001-4
Material	Brass
Finish Type	Polished
Number of Handles	3
Handle Material	Brass
Mounting Type	Wall Mount
Connection Size	G1/2 (as indicated in diagram)

INSTALLATION INSTRUCTIONS

Tools Required

- Adjustable Wrench
- Screwdriver (Phillips/Flathead as needed)
- Drill (for wall mounting)
- Measuring Tape
- Level
- Sealant Tape (PTFE tape)
- Pencil/Marker

Pre-Installation Checks

- Ensure the main water supply to the installation area is turned off.
- Verify that the wall surface is clean, dry, and structurally sound to support the faucet.
- Confirm that the existing water supply lines are compatible with G1/2 connections.

Wall Mounting Steps

- 1. Prepare Wall Connections:** Ensure your hot and cold water supply lines are correctly positioned and spaced according to the faucet's dimensions (refer to the technical diagram below). The standard distance between centers is often 150mm.
- 2. Install Eccentric Connectors:** Apply sealant tape to the threaded ends of the eccentric connectors. Screw them into the wall outlets, adjusting them until they are level and the correct distance apart for the faucet body.
- 3. Attach Decorative Covers:** Slide the decorative covers over the eccentric connectors, flush against the wall.
- 4. Mount Faucet Body:** Place the faucet body onto the eccentric connectors. Hand-tighten the nuts, then use an adjustable wrench to secure them firmly, ensuring not to overtighten.
- 5. Install Handles:** Attach the three control handles to their respective spindles. Secure them with the

provided screws, typically located on the underside or front of the handles.

- 6. Connect Shower Hose and Head (if applicable):** If your model includes a handheld shower, connect the shower hose to the designated outlet on the faucet body and then attach the shower head to the other end of the hose.
- 7. Test for Leaks:** Slowly turn on the main water supply and check all connections for any signs of leakage. Tighten connections as necessary.

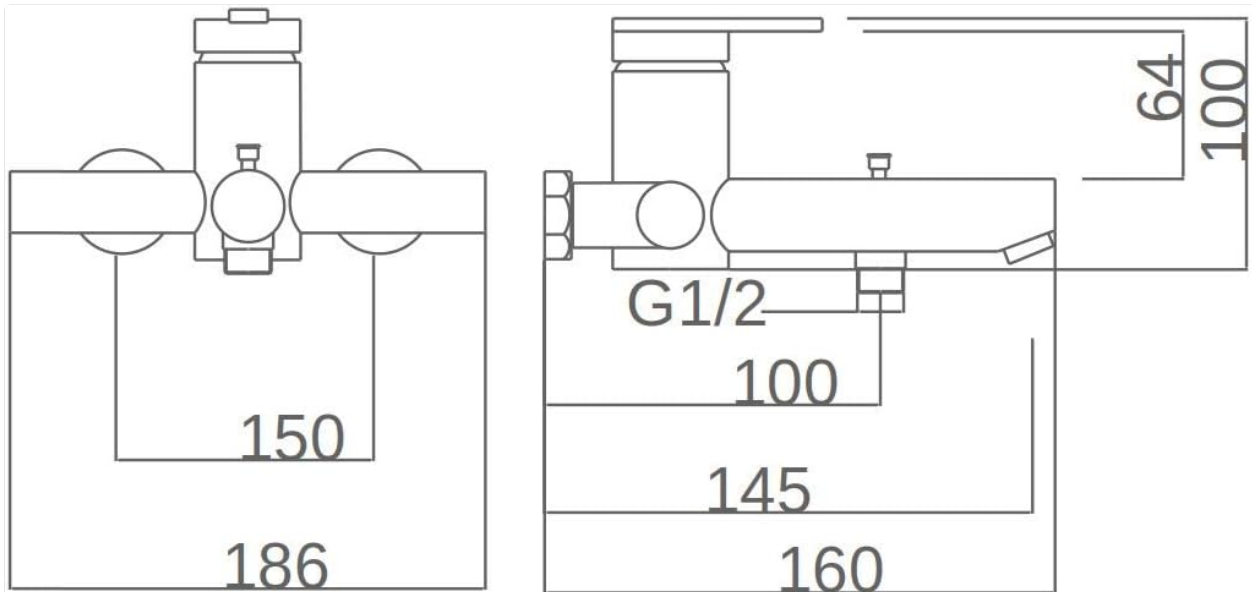


Figure 1: Technical diagram illustrating the dimensions and G1/2 connections of the IMEX Roma BDR001-4 faucet. Dimensions are provided in millimeters, showing a center-to-center distance of 150mm for the main water inlets and overall unit measurements.

OPERATION

The IMEX Roma BDR001-4 faucet features three control handles:

- **Left Handle:** Typically controls the hot water flow. Turn to adjust the intensity of hot water.
- **Right Handle:** Typically controls the cold water flow. Turn to adjust the intensity of cold water.
- **Center Handle (Diverter):** This handle is used to switch the water flow between the main spout (for bathtub filling) and the handheld shower head. Rotate or pull/push this handle to select the desired water outlet.

By adjusting the hot and cold water handles, you can achieve your desired water temperature and flow rate. Use the diverter handle to direct water to either the bath spout or the shower head.



Figure 2: A chrome handheld shower head, part of the IMEX Roma BDR001-4 system, actively spraying water. This image demonstrates the shower function of the faucet.

To maintain the polished finish and ensure the longevity of your IMEX Roma faucet, follow these care instructions:

- **Regular Cleaning:** Clean the faucet regularly with a soft cloth and mild soap or a non-abrasive bathroom cleaner.
- **Avoid Harsh Chemicals:** Do not use abrasive cleaners, scouring pads, ammonia-based products, or bleach, as these can damage the polished brass finish.
- **Dry After Use:** Wipe the faucet dry after each use to prevent water spots and mineral buildup.
- **Aerator Cleaning:** Periodically unscrew and clean the aerator (if present on the bath spout) to remove any sediment or mineral deposits that may affect water flow.

TROUBLESHOOTING

Here are some common issues and their potential solutions:

- **Low Water Flow:**
 - Check if the main water supply is fully open.
 - Clean the aerator for any blockages.
 - Inspect supply lines for kinks or obstructions.
- **Leaking from Faucet Base/Handles:**
 - Ensure all connections are securely tightened.
 - Check for worn O-rings or washers within the handles or connections. Replace if necessary.
- **Water Temperature Issues:**
 - Verify that both hot and cold water supplies are active and flowing correctly.
 - Ensure handles are fully opening the hot/cold valves.
- **Diverter Not Switching Properly:**
 - Check for any obstructions or mineral buildup preventing the diverter from moving freely.
 - Ensure the diverter handle is fully engaged in the desired position.

If these steps do not resolve the issue, please contact a qualified plumber or the manufacturer's support.

WARRANTY AND SUPPORT

For specific warranty information regarding your IMEX Roma BDR001-4 faucet, please refer to the documentation provided at the time of purchase or contact your retailer. For technical support or replacement parts, please reach out to the IMEX customer service department or the seller from whom you purchased the product. Keep your proof of purchase handy for any warranty claims.