



[Manuals.plus](#) /

› [ZJchao](#) /

› ZJchao Electronic Igniter Instruction Manual

ZJchao 31e51002-407c-4b6b-8986-acae00f01ff8

ZJchao Electronic Igniter Instruction Manual

Model: 31e51002-407c-4b6b-8986-acae00f01ff8

INTRODUCTION

This manual provides essential information for the safe and effective use of your ZJchao Electronic Igniter. Designed for torch ignition, this compact and lightweight device is suitable for various applications including jewelry soldering and gas welding. Please read these instructions thoroughly before operation.



Figure 1: Front view of the ZJchao Electronic Igniter.

SAFETY INFORMATION

- Always ensure the igniter is used in a well-ventilated area.
- Keep the igniter away from flammable materials and gases when not in use.
- Do not touch the electronic head immediately after use, as it may be hot.
- Store the igniter out of reach of children.
- Use only the specified battery type and ensure correct polarity during installation.

PRODUCT OVERVIEW

The ZJchao Electronic Igniter features a durable metal shell and a simple, intuitive design for ease of use.

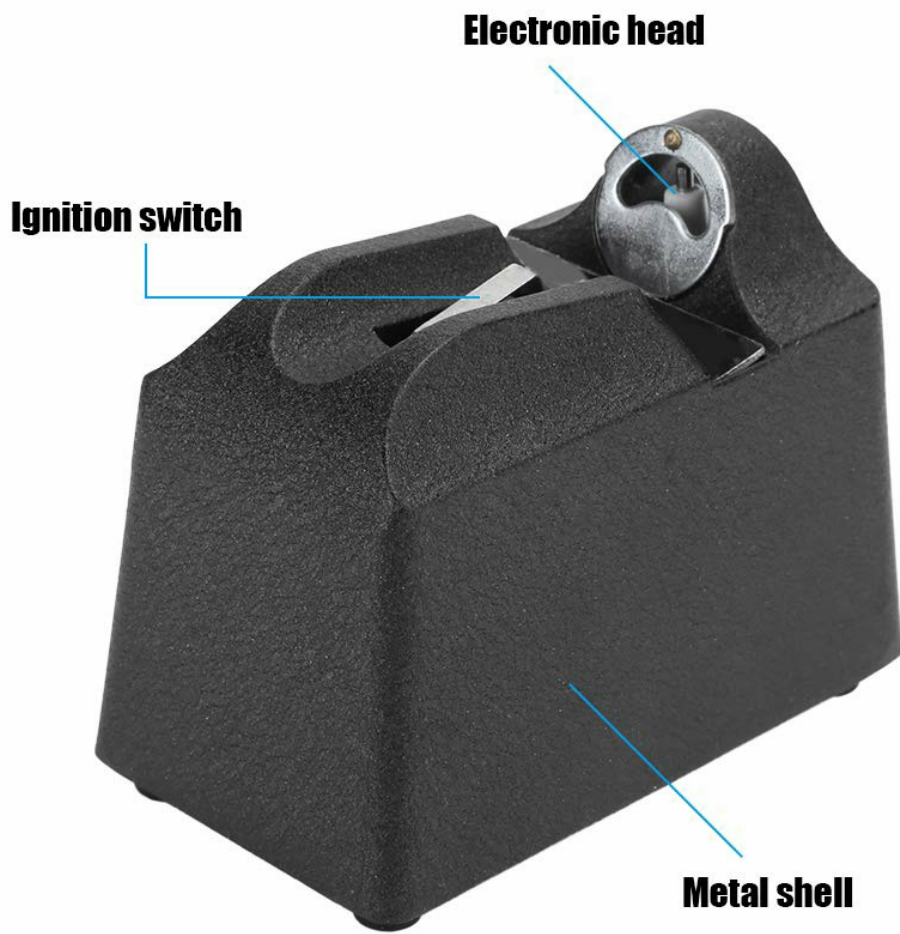


Figure 2: External components of the igniter.



Figure 3: Internal components and battery compartment.

Key components include the electronic head for spark generation, an ignition switch, a battery compartment, and protective rubber feet for stability.

SETUP

Battery Installation

The ZJchao Electronic Igniter requires two (2) AA batteries (not included) for operation. Follow these steps to install the batteries:

1. Locate the battery compartment cover on the bottom of the igniter.
2. Slide the cover open to reveal the battery slots.
3. Insert two AA batteries, ensuring correct polarity (+/-) as indicated inside the compartment.
4. Close the battery compartment cover securely.

When using, it is necessary to install two dry batteries (not included), open the switch at the bottom, just put the tip on the igniter and press once, then the fire can be ignited, similar to the principle of a lighter.



Figure 4: Battery compartment with slots for two AA batteries.

Video: Battery Installation and Operation

Your browser does not support the video tag.

Video 1: This video demonstrates the process of installing batteries and the basic operation of the ZJchao Electronic Igniter.

OPERATING INSTRUCTIONS

To ignite a torch using the ZJchao Electronic Igniter:

1. Ensure batteries are correctly installed and the bottom switch is in the 'ON' position.
2. Position the tip of your gas torch (e.g., musket tip) directly over the electronic head of the igniter.
3. Press the ignition switch firmly. A spark will be generated, igniting the gas from your torch.
4. Once the torch is lit, release the ignition switch.

The igniter provides a reliable open flame, similar to a traditional lighter, but with enhanced safety and ease of use for torch applications.



Figure 5: The igniter is ideal for precise work, such as jewelry applications.

MAINTENANCE

- Keep the igniter clean and free from dust and debris. Use a dry cloth for cleaning.
- Replace batteries when the spark becomes weak or the device fails to ignite consistently.
- Avoid exposing the igniter to extreme temperatures or moisture.

TROUBLESHOOTING

- **Igniter not sparking:** Check if batteries are installed correctly and are not depleted. Ensure the bottom switch is in the 'ON' position.
- **Weak spark:** Replace batteries with fresh ones.
- **Inconsistent ignition:** Ensure the torch tip is positioned correctly over the electronic head. Clean any debris from the electronic head.

SPECIFICATIONS

Feature	Detail
Item Type	Electronic Igniter
Material	Metal
Purpose	Torch ignition
Ignition Type	Single direction, Piezoelectric
Power Supply	2 x AA batteries (not included)
Dimensions (L x W x H)	9 cm x 5 cm x 6 cm (approximately 3.5 in x 2 in x 2.4 in)
Manufacturer	ZJchao
Model Number	31e51002-407c-4b6b-8986-acae00f01ff8

Multidirectional Electronic Igniter

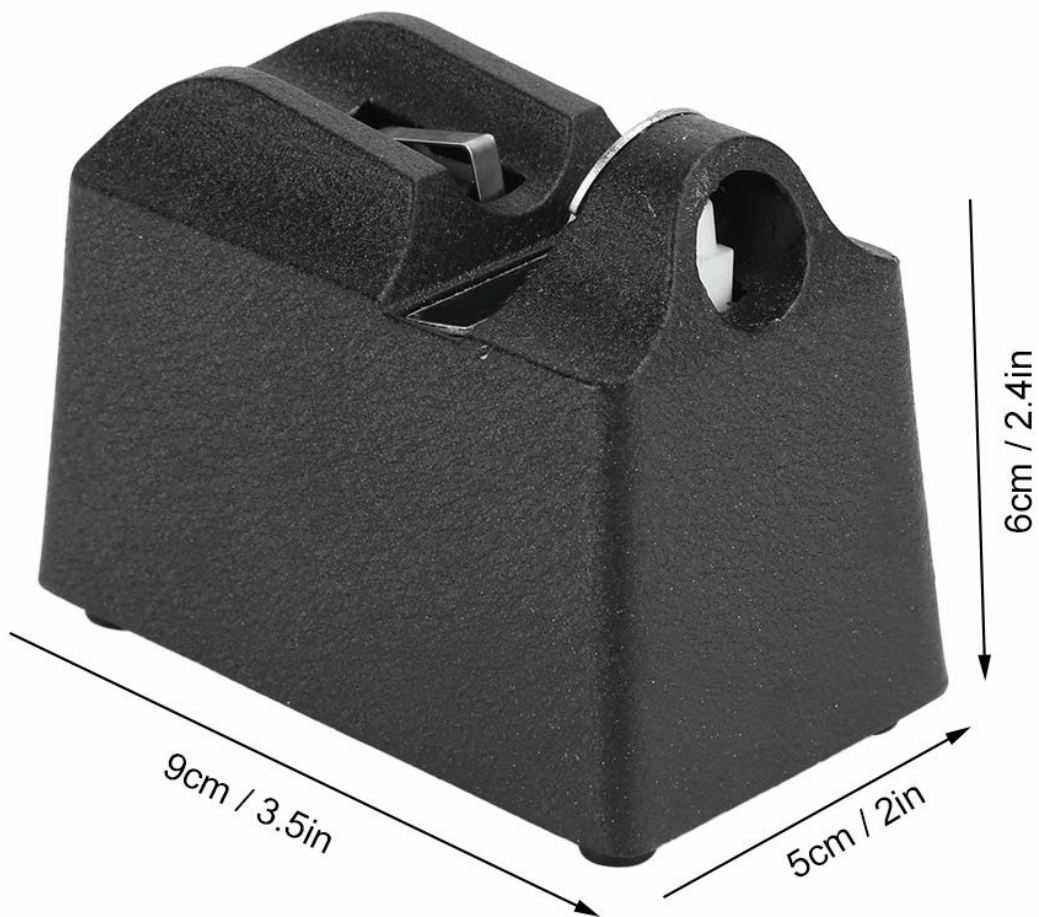


Figure 6: Dimensions of the ZJchao Electronic Igniter.

WARRANTY AND SUPPORT

For warranty information or technical support, please refer to the product packaging or contact the retailer where the

product was purchased. Keep your proof of purchase for any warranty claims.