

[Manuals.plus](#) /

> [Dalmo](#) /

> Dalmo DAKF04YD Kitchen Faucet User Manual - Stainless Steel Swivel Spout

Dalmo DAKF04YD

Dalmo DAKF04YD Kitchen Faucet User Manual

Model: DAKF04YD | Brand: Dalmo

1. INTRODUCTION

This manual provides detailed instructions for the installation, operation, and maintenance of your Dalmo DAKF04YD Kitchen Faucet. Please read this manual thoroughly before installation and retain it for future reference. Proper installation and care will ensure optimal performance and longevity of your faucet.

2. PRODUCT OVERVIEW

The Dalmo DAKF04YD kitchen faucet is designed for modern kitchens, offering both functionality and durability. It features a 360-degree swivel spout and a single lever for precise control over water flow and temperature.



Figure 2.1: Dalmo DAKF04YD Kitchen Faucet. This image displays the complete faucet unit, highlighting its sleek design and polished

stainless steel finish.

Key Features:

- **360° Swivel Spout:** The faucet's spout can rotate a full 360 degrees, providing flexibility for various sink tasks and cleaning needs.
- **Durable Construction:** Made entirely from SUS304 stainless steel, ensuring environmental friendliness and resistance to rust and corrosion.
- **Single-Lever Control:** A single lever allows for easy and precise adjustment of both water temperature (hot to cold) and flow rate.
- **High-Quality Ceramic Cartridge:** Equipped with a ceramic cartridge tested for 500,000 cycles, guaranteeing long-term durability and leak-free performance.
- **Integrated Aerator:** Features a soft bubble aerator designed for water saving and pressurization, minimizing splash.



Figure 2.2: Faucet functionality. This image illustrates the 360-degree swivel capability of the spout and the hot (red) and cold (blue) water indicators on the lever for easy temperature identification.



Figure 2.3: Soft Bubble Aerator. This diagram shows the internal components of the aerator, designed to provide a soft, splash-free water flow while conserving water.

3. COMPONENTS INCLUDED

Before beginning installation, ensure all parts are present and undamaged. The package includes the following components:



1 Cuerpo del grifo 2 Manguera de agua fría y caliente 3 Tornillo de fijación
4 Sello de metal 5 Sello de goma

Figure 3.1: Faucet Components. This image provides an exploded view of the faucet and its accompanying parts, labeled for easy identification.

1. Faucet Body
2. Hot and Cold Water Hoses (marked red for hot, blue for cold)
3. Fixing Screw
4. Metal Gasket
5. Rubber Gasket

4. INSTALLATION INSTRUCTIONS

Follow these steps carefully for proper installation. Basic plumbing knowledge and tools are recommended.

1. **Prepare the Faucet:** Unscrew the lock nut from the faucet body. Remove the steel washer and the rubber washer.
2. **Attach Water Hoses:** Install the hot (red) and cold (blue) water inlet hoses into the corresponding ports on the faucet body. Ensure they are securely tightened.
3. **Mount the Faucet:** Place the main faucet body into the designated hole on your sink or countertop. From underneath the sink, install the rubber washer, then the steel washer, and finally tighten the lock nut to secure the faucet in place.

4. **Connect to Water Supply:** Connect the cold (blue) and hot (red) water inlet hoses to your home's cold and hot water supply lines, respectively. Tighten all connections firmly, but do not overtighten.
5. **Test for Leaks:** After installation, slowly open the angle valves (stopcocks) for both hot and cold water supply. Check all connections for any signs of leaks. If leaks are detected, gently tighten the connections until they stop.



Figure 4.1: Faucet in operation. This image shows the Dalmo DAKF04YD faucet installed in a kitchen sink, with water flowing from the spout, demonstrating a successful installation.

5. OPERATING INSTRUCTIONS

The Dalmo DAKF04YD faucet is designed for simple and intuitive operation.

- **Water Flow Control:** Lift the single lever handle to increase water flow. Push it down to decrease or stop the flow.
- **Temperature Control:** Move the lever to the left for hot water and to the right for cold water. Adjust the position between hot and cold to achieve your desired water temperature.
- **Spout Rotation:** The spout can be rotated 360 degrees horizontally to direct water flow to different areas of the sink.

6. MAINTENANCE

Regular cleaning and maintenance will help preserve the appearance and functionality of your faucet.

- **Cleaning the Surface:** Clean the stainless steel surface with a soft cloth and mild soap or a non-abrasive cleaner specifically designed for stainless steel. Avoid using harsh chemicals, abrasive cleaners, or scouring pads, as these can damage the finish.
- **Cleaning the Aerator:** If water flow becomes restricted or irregular, the aerator may be clogged. Unscrew the aerator from the end of the spout, clean any debris or mineral deposits, and then reattach it.
- **Checking for Leaks:** Periodically inspect all connections for any signs of leaks. Tighten connections gently if necessary.



SUS304 ACERO INOXIDABLE

Todo el cuerpo está hecho de acero inoxidable SUS304, ecológico y no es fácil de oxidar.

Figure 6.1: SUS304 Stainless Steel Construction. This image highlights the high-quality SUS304 stainless steel material used in the faucet's construction, emphasizing its durability and resistance to corrosion.

7. TROUBLESHOOTING

This section addresses common issues you might encounter with your faucet.

Problem	Possible Cause	Solution
Low Water Flow	Clogged aerator or partially closed supply valve.	Clean the aerator (refer to Maintenance section). Ensure both hot and cold water supply valves are fully open.
Leaking from Spout	Worn cartridge or debris in the cartridge.	Contact customer support for cartridge replacement or further assistance.
Leaking at Base	Loose mounting nut or damaged washers.	Tighten the mounting nut underneath the sink. Check and replace washers if damaged.
No Hot/Cold Water	Supply valve for hot/cold water is closed.	Ensure the corresponding hot or cold water supply valve is fully open.

8. SPECIFICATIONS

Detailed technical specifications for the Dalmo DAKF04YD Kitchen Faucet.

- **Model:** DAKF04YD
- **Brand:** Dalmo
- **Manufacturer:** ddm
- **Material:** SUS304 Stainless Steel
- **Finish:** Polished
- **Package Dimensions:** 52.4 x 25.9 x 7.2 cm; 2.04 kilograms (approx. 20.6 x 10.2 x 2.8 inches; 4.5 lbs)
- **Batteries Required:** No
- **Spare Parts Availability:** Information unavailable
- **Date First Available on Amazon.fr:** January 17, 2021

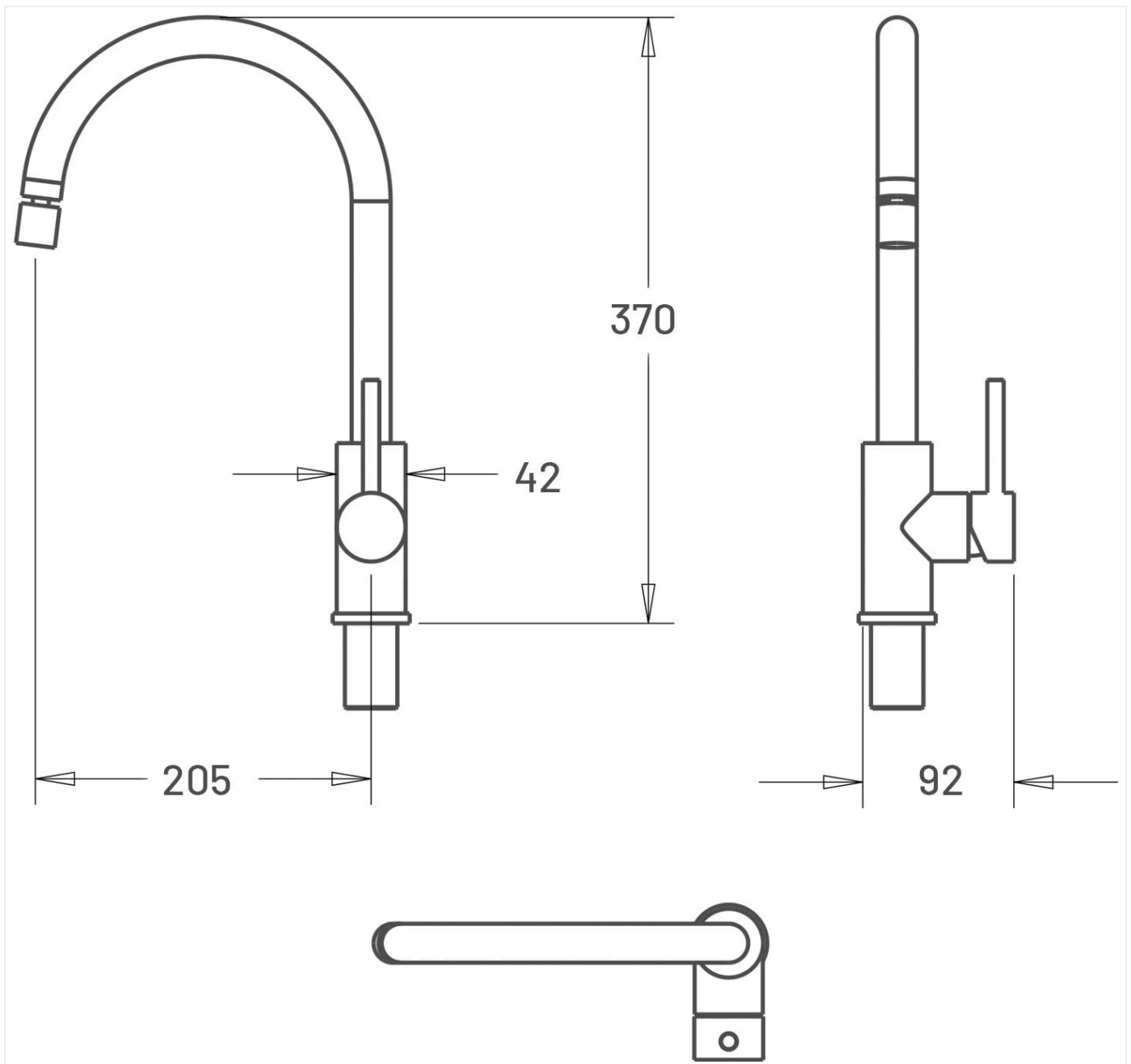


Figure 8.1: Product Dimensions. This technical drawing provides detailed measurements of the Dalmo DAKF04YD faucet, including height, reach, and base dimensions.

9. WARRANTY AND SUPPORT

Dalmo is committed to providing quality products and customer satisfaction. While specific warranty details are not provided, Dalmo offers reliable after-sales support.

If you have any questions, concerns, or require assistance with your Dalmo DAKF04YD Kitchen Faucet after purchase, please contact Dalmo customer service directly. Our team is ready to assist you.

