

Manuals+

[Q & A](#) | [Deep Search](#) | [Upload](#)

Manuals.plus /

- › [Midea](#) /
- › Midea 2-Zone Induction Hob User Manual

Midea MIH350D157KO

Midea Induction Hob User Manual

Model: MIH350D157KO

1. INTRODUCTION

Thank you for choosing the Midea 2-zone induction hob. This appliance is designed for efficient and safe cooking, featuring advanced induction technology, a sleek ceramic glass surface, and intuitive touch controls. Please read this manual carefully before installation and use to ensure proper operation and maintenance.



Image: The Midea 2-zone induction hob, showcasing its compact design with two cooking zones, one with a blue pot and the other with a black pan, both containing food. The touch control panel is visible at the bottom.



Image: A Midea induction hob with a pot of boiling water, highlighting the 'Inverter Quattro' technology. This system ensures optimized magnetic field distribution for improved heating uniformity.

2. SAFETY INFORMATION

Always adhere to basic safety precautions when using electrical appliances. This hob is equipped with several safety features to protect users and the appliance.

2.1 Automatic Shut-off

If a cooking zone operates unusually for an extended period at the same power level, the device will automatically shut off to prevent overheating and ensure safety.

2.2 Child Lock Function

The hob includes a child lock feature to prevent accidental activation or changes to settings by children. Refer to the operation section for instructions on how to activate and deactivate this function.

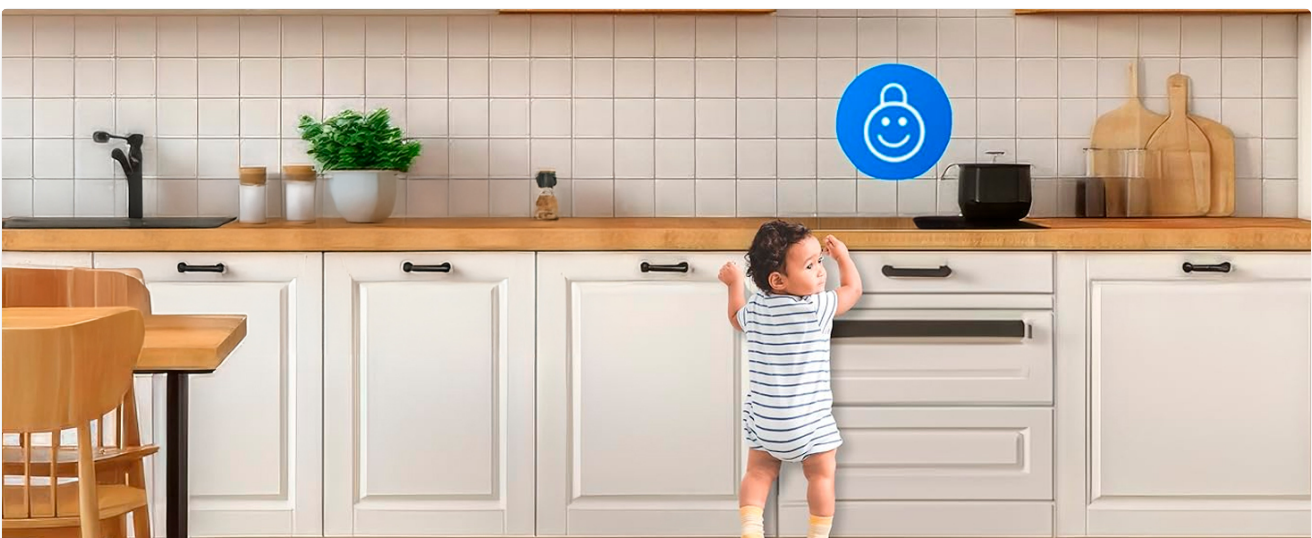


Image: A young child reaching towards an induction hob, with a blue shield icon indicating the safety lock function. This feature helps keep children safe by preventing accidental operation.

3. INSTALLATION

Installation should be performed by a qualified technician in accordance with local regulations. Ensure adequate ventilation around the appliance.

3.1 Dimensions and Cutout

The hob requires a specific cutout in your countertop. Refer to the diagram and table below for precise measurements.

Table 1: Hob Dimensions and Cutout Requirements

Dimension	Value (mm)
Product Dimensions (L x W x H)	520 x 288 x 60
Cutout A (Length)	268 +4/-0
Cutout B (Width)	500 +4/-0
Minimum Clearance C, D, E, F	50 min.
Minimum Seal G	3 min.

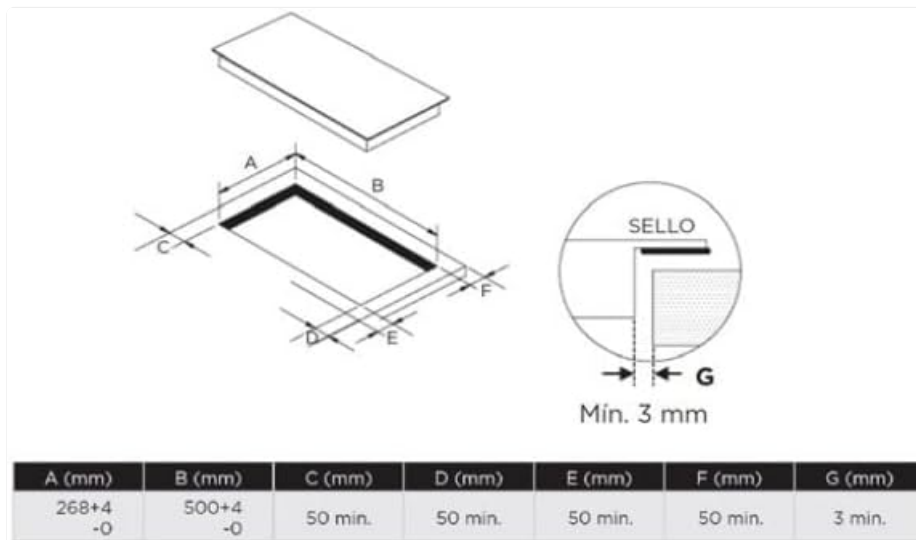


Image: Technical diagram illustrating the dimensions and cutout requirements for installing the Midea induction hob. It shows top and side views with labeled measurements (A, B, C, D, E, F, G) and a detail of the minimum 3mm seal.

4. OPERATION

The Midea induction hob features an easy-to-use touch control panel for precise cooking adjustments.

4.1 Touch Control Panel

Simply use your fingers to activate and control the hob's functions. The panel is designed for modern homes, offering a sleek and responsive interface.



Image: A hand demonstrating interaction with the touch control panel of the Midea induction hob, highlighting its ease of use and modern design.

4.2 Cooking Zones and Power Levels

The hob features two independent cooking zones, allowing you to control the temperature of each section separately. This enables simultaneous cooking of different dishes with varying heat requirements. Power levels range from P1 (250W) to P9 (3000W).



Image: A Midea 2-zone induction hob integrated into a modern kitchen countertop, with a couple standing nearby. This illustrates the hob's aesthetic appeal and functionality in a home environment.



Image: A visual representation of the Midea induction hob's power levels, ranging from P1 (250W) to P9 (3000W), indicated by a color gradient from yellow to red, demonstrating the range of heating capabilities.

4.3 Boost Function

The Boost function allows you to increase the power of a cooking zone by up to 50% for rapid heating, ideal for boiling water quickly or searing food.

AHORRA MUCHO TIEMPO

Cocina hasta 3 comidas diferentes al instante



Image: The Midea induction hob with two pans, one containing paella and the other with vegetables, demonstrating the ability to cook multiple dishes simultaneously. The image highlights the 'Boost Function' for faster cooking.

4.4 Pan Detection

The hob features automatic pan detection. It will only activate when a suitable induction-compatible pan is placed on the cooking zone.

INNOVACIÓN EN COCINAS DE INDUCCIÓN

Con nuestro sistema **INVERTER QUATTRO**, la distribución optimizada de campos magnéticos asegura una mejor uniformidad de calentamiento



Image: An overhead view of the Midea induction hob with two cooking vessels, a blue pot and a black pan, both containing food. This illustrates the hob's two independent cooking zones in use.

5. MAINTENANCE

The ceramic glass surface is designed for easy cleaning and durability.

5.1 Cleaning Instructions

Clean the hob regularly with a soft cloth and mild detergent. Avoid abrasive cleaners or scouring pads that could scratch the surface. For stubborn stains, use a ceramic hob scraper.

Función de bloqueo de seguridad

Mantén a salvo a los más pequeños de la casa



Image: A person wearing yellow gloves cleaning the Midea induction hob with a soft cloth, demonstrating the ease of cleaning its smooth black ceramic glass surface. Insets show a scraper for tough spots and another hand wiping with a blue cloth.

6. TROUBLESHOOTING

This section provides solutions to common issues you might encounter. If the problem persists, contact customer support.

Table 2: Common Troubleshooting Scenarios

Problem	Possible Cause	Solution
Hob does not turn on	No power supply; Child lock activated	Check power connection; Deactivate child lock (refer to operation section)
Cooking zone not heating	Incorrect cookware; Pan not centered; Overheating protection	Use induction-compatible cookware; Center the pan; Allow hob to cool down
Display shows an error code	Specific malfunction	Refer to the full manual for specific error code meanings or contact support

Problem	Possible Cause	Solution
Unusual noise during operation	Normal fan noise; Pan material resonance	This is often normal; Some pans may produce slight humming due to induction principles

7. SPECIFICATIONS

Detailed technical specifications for the Midea Induction Hob.

Table 3: Technical Specifications

Feature	Detail
Brand	Midea
Model Number	MIH350D157KO
Product Dimensions	52 x 28.8 x 6 cm
Weight	5.84 kg
Heating Elements	2
Color	Black
Power Source	Electric
Special Function	Automatic shut-off
Heater Surface Material	Ceramic Glass
Burner Type	Induction
Control Type	Touch
Components Included	Hob unit only

8. WARRANTY AND SUPPORT

Midea offers comprehensive support for its products.

8.1 Warranty Information

This product comes with a 2-year warranty. This warranty covers service and spare parts, provided through the seller.

8.2 Technical Service

Midea maintains an uninterrupted technical service with 170 assistance points distributed across the peninsula, Canary Islands, and Portugal. For technical assistance, please contact the seller or refer to the official Midea website for service center locations.

