

Carbest 2-Way LCD Sensor Remote Engine Start System Kit

Carbest Vehicle Security Paging Car Alarm System User Manual

Model: 2-Way LCD Sensor Remote Engine Start System Kit

Brand: Carbest

1. INTRODUCTION

Welcome to the user manual for your Carbest Vehicle Security Paging Car Alarm System. This manual provides essential information for the proper installation, operation, and maintenance of your new security system. Please read this manual thoroughly before attempting any installation or operation to ensure optimal performance and safety.

2. PRODUCT OVERVIEW

2.1 Key Features

- **2-Way Communication:** Real-time feedback from your vehicle to the remote control.
- **LCD Remote Display:** Clear visual indicators for alarm status, door status, and more.
- **Remote Engine Start:** Conveniently start your vehicle from a distance.
- **Shock Sensor:** Detects impacts and provides warnings.
- **Trunk Release:** Remote access to your vehicle's trunk.
- **Anti-Hijacking Function:** Enhanced security features.
- **Paging Function:** Alerts on the remote for various triggers.

2.2 Package Contents

The Carbest Vehicle Security Paging Car Alarm System typically includes the following components:



Figure 2.2.1: Complete Carbest 2-Way Car Alarm System Kit.

This image displays all components included in the Carbest 2-Way Car Alarm System kit, featuring the main control unit, two LCD remote controls, the siren, various wiring harnesses, and the shock sensor.

- Main Control Unit
- Two-Way LCD Remote Controls (2 units)
- Siren
- Wiring Harnesses
- Shock Sensor
- Antenna Module
- Relay

3. INSTALLATION GUIDE

Warning: Installation of this car alarm system requires advanced automotive electrical knowledge. Professional installation is highly recommended to prevent damage to your vehicle or the alarm system.

3.1 Wiring Diagram

Refer to the detailed wiring diagram below for proper connection of all components. Ensure all connections are secure and insulated to prevent short circuits.

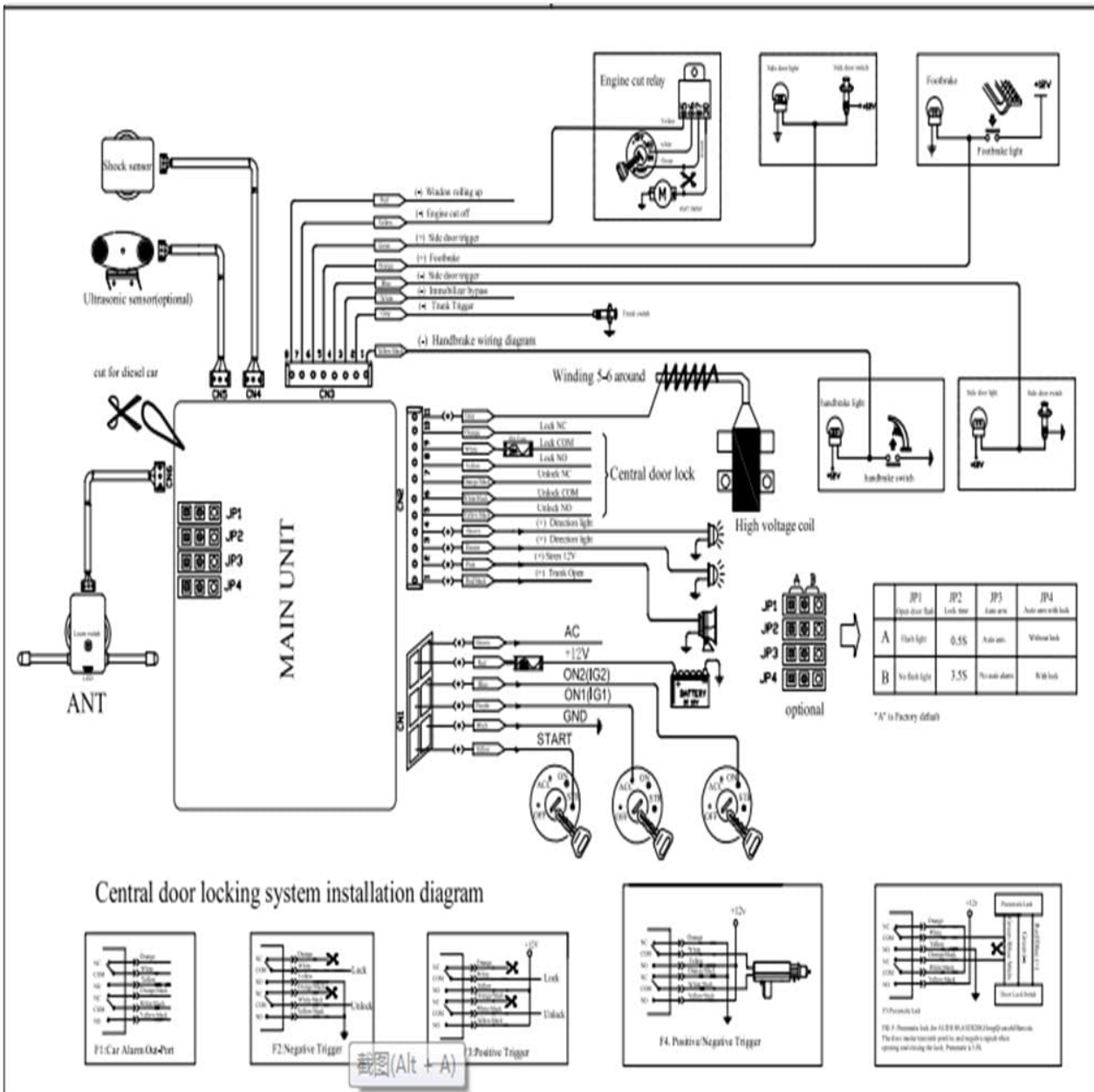


Figure 3.1.1: Wiring Diagram for the Carbest Alarm System.

This diagram illustrates the electrical connections for the main unit, siren, shock sensor, and other components, including central door locking system integration.

3.2 Component Placement

- **Main Control Unit:** Install in a secure, hidden location within the vehicle's cabin, away from direct moisture and extreme temperatures. Ensure easy access for wiring.



Figure 3.2.1: Main Control Unit.

A close-up view of the main control unit, showing its compact design and connection ports.

- **Siren:** Mount the siren securely under the hood, facing downwards to prevent water accumulation. Choose a location that is difficult for intruders to access.



Figure 3.2.2: Alarm Siren.

The siren component of the alarm system, designed for loud audible alerts.

- **Shock Sensor:** Install the shock sensor in a central location within the vehicle, such as under the dashboard or center console, to ensure optimal vibration detection. Adjust sensitivity as needed.



Figure 3.2.3: Shock Sensor.

The shock sensor, a small black box, responsible for detecting impacts and vibrations to the vehicle.

- **Antenna:** Position the antenna module in a location with minimal metal obstruction to maximize remote control range.

4. OPERATING INSTRUCTIONS

4.1 Remote Control Functions

Your 2-Way LCD remote control provides visual and audible feedback on your vehicle's status. Familiarize yourself with the buttons and display icons.



Figure 4.1.1: 2-Way LCD Remote Control.

A close-up of the 2-Way LCD remote control, highlighting its display and control buttons.

- **Lock/Arm:** Press the lock button once to arm the alarm system and lock the doors. The remote will confirm the action.
- **Unlock/Disarm:** Press the unlock button once to disarm the alarm system and unlock the doors. The remote will confirm the action.
- **Remote Engine Start:** Press and hold the engine start button (refer to remote specific icon) for a few seconds to remotely start your vehicle. The remote will display engine status.
- **Trunk Release:** Press and hold the trunk release button (refer to remote specific icon) to open the vehicle's trunk.
- **Paging/Warning:** If the alarm is triggered (e.g., by shock, door opening, or illegal engine start), the remote will vibrate, beep, and display the specific trigger icon.

4.2 Alarm Modes

- **Arming Mode:** When armed, the system monitors doors, ignition, and shock sensor. Any unauthorized entry or impact will trigger the alarm.
- **Disarming Mode:** Disarms the system, allowing normal vehicle access.
- **Silent Arm/Disarm:** Some models allow arming/disarming without audible siren confirmation. Refer to your remote's specific button combination.
- **Panic Mode:** Pressing a designated button on the remote (often the lock button held down) will trigger the alarm siren and lights for emergency situations.

4.3 Video Demonstration

Watch this video for a visual guide on the key features and operation of the Carbest 2-Way Car Alarm System.

Your browser does not support the video tag.

Video 4.3.1: Two-Way Car Alarm Demonstration.

This video demonstrates various functions of the Carbest 2-Way Car Alarm, including remote lock/unlock, shocking warning, side door warning, illegal engine start detection, and remote trunk release.

5. MAINTENANCE

- **Remote Battery Replacement:** When the remote's LCD display dims or its range decreases, replace the battery. Refer to the remote's specific instructions for battery type and replacement procedure.
- **Cleaning:** Use a soft, dry cloth to clean the main unit and remote controls. Avoid using harsh chemicals or abrasive cleaners.
- **Regular Checks:** Periodically test the alarm functions (arming, disarming, shock sensor) to ensure proper operation.

6. TROUBLESHOOTING

Problem	Possible Cause	Solution
Remote not responding	Low battery in remote; Out of range; Interference.	Replace remote battery; Move closer to vehicle; Check for strong radio interference.
Alarm triggers falsely	Shock sensor sensitivity too high; Faulty sensor; Loose wiring.	Adjust shock sensor sensitivity; Inspect sensor and wiring for damage; Consult professional installer.
Engine remote start fails	Vehicle not in neutral/park; Hood open; Low fuel; Incorrect wiring.	Ensure vehicle is in correct gear; Close hood securely; Check fuel level; Verify installation wiring.
No feedback on LCD remote	Remote battery dead; Out of range; Main unit power issue.	Replace remote battery; Move closer to vehicle; Check main unit power supply and fuses.

7. TECHNICAL SPECIFICATIONS

Feature	Specification
Item Weight	1.96 pounds
Product Dimensions	3.94 x 3.94 x 3.15 inches
Noise Level	120 dB
Maximum Range	150 Meters (approx. 492 feet)
Wireless Remote	Yes
Country of Origin	China

8. WARRANTY AND SUPPORT

For warranty information, technical support, or service inquiries, please contact the manufacturer, Carbest, or your authorized dealer. Keep your purchase receipt as proof of purchase for warranty claims.