

[Manuals.plus](#) /

> [Bellemave](#) /

> Bellemave Storage Bench with Padded Seat Cushion (Model B08JV3RF4W) Instruction Manual

Bellemave B08JV3RF4W

Bellemave Storage Bench with Padded Seat Cushion

Model: B08JV3RF4W

IMPORTANT SAFETY INFORMATION

Please read and understand all instructions before assembly and use. Keep this manual for future reference.

- **Weight Capacity:** This storage bench is designed to support a maximum weight of 150 pounds (68 kg). Do not exceed this limit.
- **Intended Use:** This product is intended for residential use only.
- **Product Care:** Do not use strong liquid cleaners on any part of the bench. Refer to the 'Maintenance and Care' section for cleaning instructions.
- Ensure all connections are secure before use. Periodically check and re-tighten fasteners as needed.

SETUP AND ASSEMBLY

Assembly of the Bellemave Storage Bench is required. Please ensure all components are present before beginning assembly. Refer to the separate assembly instructions and hardware package included with your product for detailed, step-by-step guidance.

General Assembly Tips:

- Assemble on a soft, clean surface to prevent scratches.
- Do not overtighten screws during initial assembly; tighten fully once all parts are aligned.
- Keep small parts away from children during assembly.



Image: The Bellemave Storage Bench, fully assembled, positioned in an entryway. It features a comfortable padded seat cushion and two functional sliding cabinet doors, providing both seating and storage.

OPERATING INSTRUCTIONS

The Bellemave Storage Bench is designed for versatile use in various residential settings, such as entryways, living rooms, or mudrooms.

Using the Padded Seat

The bench features a comfortable padded seat cushion, ideal for sitting while putting on or removing shoes, or as additional seating in a living area. Ensure the bench is placed on a stable, level surface before use.



Image: A detailed view of the bench's padded seat cushion, highlighting its texture and comfortable appearance.

Accessing Storage Cabinets

The bench includes two spacious cabinets with sliding doors, providing concealed storage for various items. To open a cabinet, gently slide the door along its track using the handle. To close, slide the door back until it meets the center or side frame.

- Use the cabinets to store shoes, hats, gloves, small bags, toys, or other household items to keep your space

organized and clutter-free.

- Avoid placing excessively heavy or oversized items in the cabinets to prevent damage to the doors or internal structure.



Image: A direct front view of the storage bench, clearly showing the two sliding cabinet doors and their decorative ring handles.

MAINTENANCE AND CARE

Proper care will help maintain the appearance and longevity of your Bellemave Storage Bench.

- **Cleaning the Wood Surface:** Wipe the wood surfaces with a clean, dry cloth. For light dirt, a slightly damp cloth can be used, followed immediately by a dry cloth.
- **Avoid Harsh Cleaners:** Do not use strong liquid cleaners, abrasive cleaners, or polishes containing silicone, as these can damage the finish.
- **Cushion Care:** The padded cushion can be spot cleaned with a mild detergent and a damp cloth. Allow to air dry completely. Do not machine wash or tumble dry the cushion cover.
- **Spills:** Blot spills immediately with a clean, dry cloth.
- **Sunlight Exposure:** Avoid prolonged exposure to direct sunlight to prevent fading of the wood finish and cushion fabric.

TROUBLESHOOTING

If you encounter any issues with your Bellemave Storage Bench, please refer to the following common solutions:

- **Wobbly Bench:** Check all assembly fasteners and tighten them securely. Ensure the bench is on a level surface.
- **Sticking Cabinet Doors:** Inspect the sliding tracks for any obstructions or debris. Clean the tracks if necessary. Ensure the doors are properly seated in their tracks.
- **Damaged Parts:** If any part is damaged or missing, do not attempt to use the product. Contact customer service for assistance.

For further assistance, please contact Bellemave customer service.

SPECIFICATIONS

Overall Dimensions (H x W x D)	19.3" x 46.8" x 15.3"
Storage Compartment Dimensions (H x W x D)	14.3" x 22" x 12.5" (per cabinet)
Cushion Thickness	2.75"
Overall Product Weight	49 lb
Weight Capacity	150 lb
Seating Capacity	2
Main Material	Solid Wood (Pinewood) and Manufactured Wood (Plywood)
Handle Material	Antimon
Cabinets Included	2
Baskets Included	No
Color	Grey
Model Number	B08JV3RF4W
UPC	784117494739

size:inch

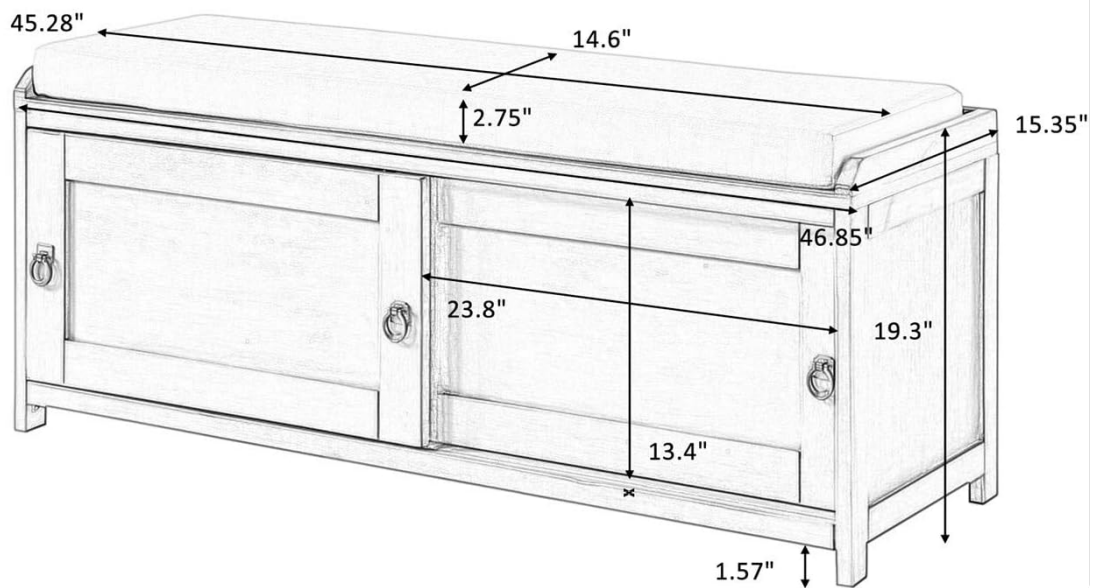


Image: A technical line drawing illustrating the key dimensions of the storage bench in inches, including overall height, width, depth, and internal compartment measurements.

WARRANTY AND CUSTOMER SUPPORT

Bellemave is committed to providing quality products. While specific warranty details are not included in this manual, please retain your proof of purchase for any warranty claims.

For any questions, concerns, or assistance with your Bellemave Storage Bench, please do not hesitate to contact our customer service representatives. We are here to help.

Contact Information: Please refer to the contact details provided with your purchase documentation or visit the official Bellemave website for support.