

[Manuals.plus](#) /

> [SUNNYFEEL](#) /

> SUNNYFEEL Oversized Camping Directors Chair (Model AC3008F) User Manual

SUNNYFEEL AC3008F

SUNNYFEEL Oversized Camping Directors Chair (Model AC3008F) User Manual

Your guide to setup, operation, and care.

1. PRODUCT OVERVIEW

The SUNNYFEEL Oversized Camping Directors Chair is designed for comfort and convenience in various outdoor settings. It features a sturdy frame, padded armrests, a side table, and multiple storage pockets.



Figure 1: The SUNNYFEEL Oversized Camping Directors Chair in its assembled state.

Key Features:

- **Compact & Comfy:** Padded and cushioned armrests for a comfortable seating experience.
- **Super Handy:** Integrated side table and side pockets for convenient storage of personal items.
- **Heavy-Duty Construction:** Sturdy steel frame supports up to 300 lbs (136 KG). Double-seam 600x300D Oxford cloth and 3D mesh ensure durability and breathability.
- **Easy-Peasy Setup:** Simple and fast unfolding and folding mechanism for quick deployment and storage.

2. SETUP INSTRUCTIONS

Setting up your SUNNYFEEL Directors Chair is quick and straightforward. Follow these steps:

1. Remove the chair from its carry bag.
2. Unfold the chair by pulling the frame outwards until it fully extends.
3. Ensure all locking mechanisms are engaged. Look for the solid locks to secure the chair in its open position.
4. Flip up the side table if desired, ensuring it clicks into place.

Your browser does not support the video tag.

Video 1: This video demonstrates the quick and easy setup and folding process of the SunnyFeel Directors Chair.

Folding for Storage:

1. Fold down the side table.
2. Disengage any locking mechanisms.
3. Push the chair frame inwards to collapse it.
4. Secure the folded chair with any attached straps or locks.
5. Place the folded chair back into its carry bag for easy transport and storage.



Figure 2: The Directors Chair in its compact, folded state, ready for transport.

3. OPERATING INSTRUCTIONS

Once set up, your Directors Chair offers several features for enhanced comfort and utility:

Side Table:

The integrated side table provides a convenient surface for drinks, snacks, or small personal items. Simply lift the table until it locks into a horizontal position. To fold, release the lock and push the table down.

Storage Pockets:

Utilize the multi-purpose side pouches and pockets on the armrest to keep your sunglasses, books, phone, or other essentials within easy reach.

Your browser does not support the video tag.

Video 2: A 360-degree view of the SunnyFeel Directors Chair, highlighting its features including the side table and storage pockets.



Figure 3: Detailed view of the chair's exclusive features, including the flip-up side table and multi-pocket pouch.

4. MAINTENANCE

To ensure the longevity and optimal performance of your SUNNYFEEL Directors Chair, follow these maintenance guidelines:

- **Cleaning:** Wipe down the fabric and frame with a damp cloth and mild soap. Avoid harsh chemicals or abrasive cleaners. Allow to air dry completely before folding and storing.
- **Storage:** Store the chair in a dry, cool place away from direct sunlight when not in use. Use the provided carry bag to protect it from dust and damage.
- **Inspection:** Periodically check all bolts, screws, and fabric for any signs of wear or damage. Tighten any loose fasteners.

5. TROUBLESHOOTING

If you encounter any issues with your Directors Chair, refer to the following common troubleshooting tips:

- **Chair does not fully open/close:** Ensure all fabric is clear of the frame and that no debris is obstructing the folding mechanism. Check that all joints are moving freely.
- **Side table is unstable:** Verify that the side table is fully extended and locked into its horizontal position.
- **Squeaking noises:** Apply a small amount of silicone lubricant to the moving parts of the frame if squeaking occurs.

For persistent issues, please contact customer support.

6. SPECIFICATIONS

Feature	Detail
Brand	SUNNYFEEL
Model Name	AC3008F
Material	Alloy Steel frame, 600x300D Oxford cloth, 3D mesh
Product Dimensions (D x W x H)	21.1"D x 25.1"W x 36.1"H
Item Weight	6.1 Kilograms
Maximum Weight Recommendation	300 Pounds (136 KG)
Additional Features	Foldable, Side Table, Storage Pockets
Indoor/Outdoor Usage	Outdoor
UPC	781661685484

Product DIMENSIONS

SunnyFeel

Weight
13 lbs
5.9 kg

Max load
300 lbs
136kg

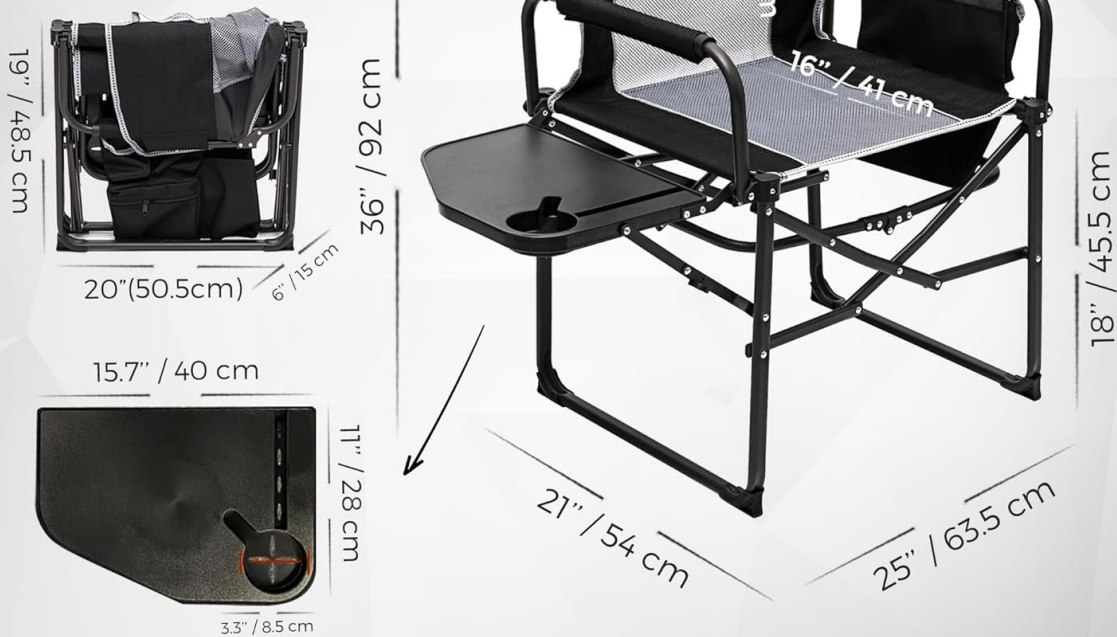


Figure 4: Detailed product dimensions and weight capacity of the Directors Chair.

7. WARRANTY

SUNNYFEEL offers a **365-day limited warranty** on this product. This warranty covers manufacturing defects and issues arising from normal use. Please retain your proof of purchase for warranty claims.

8. SUPPORT

If you have any questions, concerns, or require assistance with your SUNNYFEEL Oversized Camping Directors Chair, please do not hesitate to contact our customer support team. We are committed to ensuring your satisfaction.

Contact Information:

- For support, please visit the [SUNNYFEEL Store on Amazon](#) or refer to the contact details provided with your purchase.

