



Manuals.plus /

- › **Allewie /**
- › Allewie Upholstered Queen Size Platform Bed Frame Instruction Manual

Allewie AK-4691-5

Allewie Upholstered Queen Size Platform Bed Frame Instruction Manual

Model: AK-4691-5

INTRODUCTION

This manual provides essential information for the assembly, operation, and maintenance of your Allewie Upholstered Queen Size Platform Bed Frame. Please read thoroughly before beginning assembly to ensure safe and proper use.



Allewie Upholstered Queen Size Platform Bed Frame with 4 Storage Drawers and Headboard.

1. SETUP AND ASSEMBLY

Your Allewie bed frame is designed for straightforward assembly and comes conveniently packaged in a single box, containing all necessary components and hardware.

1.1 Unpacking

Carefully open the single package and remove all components. Verify that all parts listed in the included hardware pack are present before beginning assembly.



Button Tufted Design



Robust Wooden System



Exquisite Latch Design

Components of the Allewie bed frame, including the button-tufted side rail, robust wooden slat system, and exquisite latch design for drawers.

1.2 Assembly Instructions

Follow the step-by-step instructions provided in the included assembly guide. Ensure all connections are secure before proceeding to the next step. Assembly typically requires two adults.

Official Allewie video demonstrating the assembly process and key features of the Queen Platform Bed Frame with storage drawers.

2. KEY FEATURES

2.1 Space-Saving Storage Drawers

The bed frame features four integrated storage drawers, providing ample space for bed sheets, accessories, off-season clothing, and other items. These drawers are designed for smooth operation and efficient space utilization.



Allewie Queen Platform Bed Frame showcasing its four spacious storage drawers, ideal for organizing bedroom essentials.

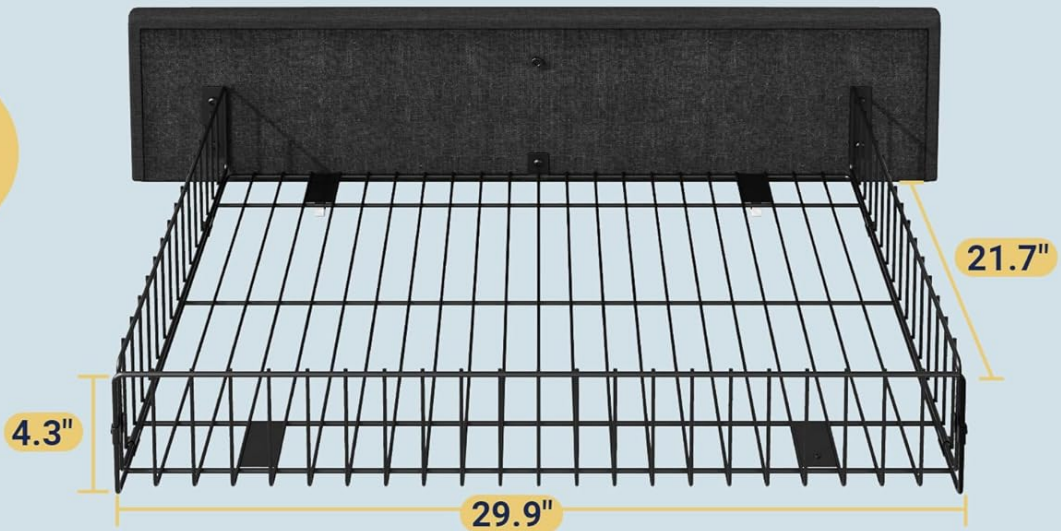


4 Lockable Storage Drawers With Smooth Wheels



Close-up view of the lockable storage drawers with smooth-rolling wheels, ensuring easy access and secure closure.

OURS

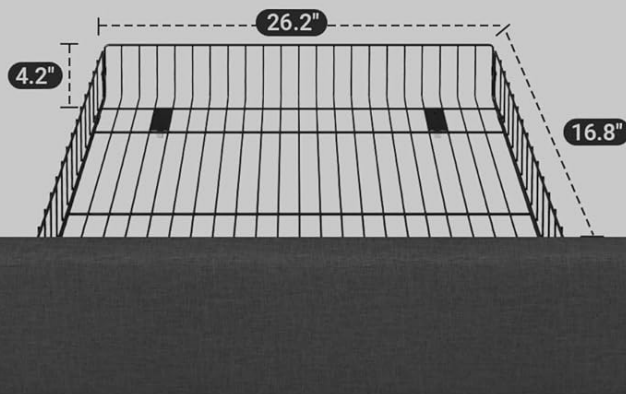


Spacious and roomy design



Larger Capacity, More Space

OTHERS



Compact and limited design



Smaller Capacity, Less Room

Comparison illustrating the spacious and roomy design of Allewie's storage drawers compared to other compact designs.

2.2 Adjustable Headboard

The upholstered headboard can be adjusted to two height settings: 40 inches or 42 inches. This adjustability accommodates mattresses ranging from 6 to 14 inches in thickness, allowing for a customized and comfortable setup.



Adjustable Height Headboard

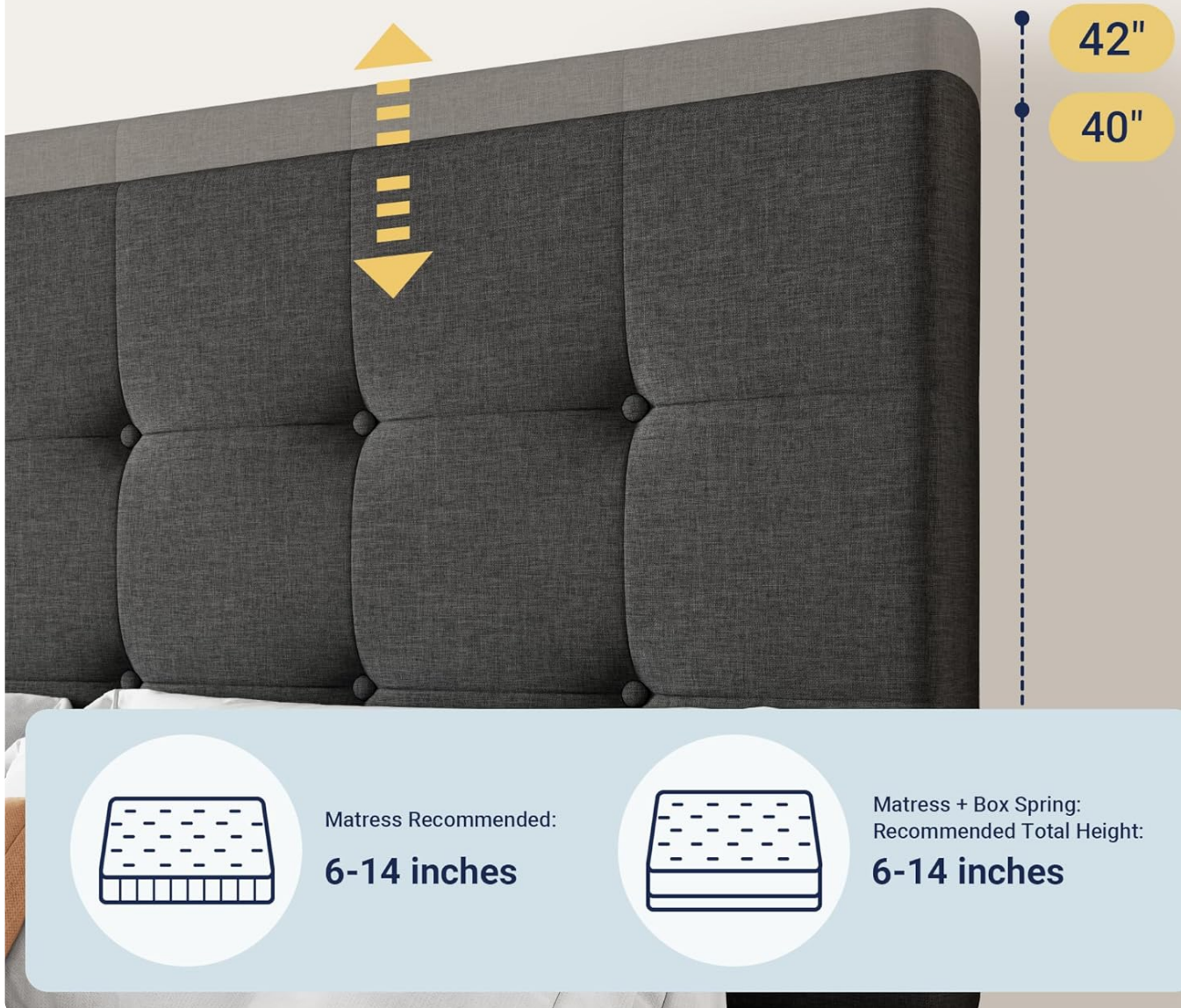


Diagram illustrating the adjustable height feature of the headboard, allowing for 40-inch or 42-inch settings to suit various mattress thicknesses.

2.3 Robust Wooden Slats Support

Engineered with strong wooden slats, this platform bed frame eliminates the need for a traditional box spring. The slats provide stable and reliable support for your mattress, promoting longevity and comfort.



The Allewie bed frame with its robust wooden slat system, providing sturdy support for your mattress without the need for a box spring.

3. OPERATING INSTRUCTIONS

3.1 Using Storage Drawers

To access the storage drawers, gently pull them out from underneath the bed. To secure them, ensure they are fully pushed in. Some models feature a smart latch design to prevent accidental slipping; align the small screw with the hole to engage the latch.

3.2 Adjusting Headboard Height

Refer to the assembly guide for specific instructions on adjusting the headboard height. Typically, this involves re-positioning bolts on the headboard supports to your desired height (40 or 42 inches).

4. MAINTENANCE

4.1 Cleaning

To clean the upholstered fabric, wipe with a dry cloth. For spills or stains, use a mild fabric cleaner and blot gently. Avoid harsh chemicals or abrasive materials.

4.2 General Care

Regularly check all bolts and connections to ensure they remain tight. Re-tighten if necessary to maintain the bed frame's stability and structural integrity.

5. TROUBLESHOOTING

5.1 Squeaking Noises

If the bed frame develops squeaking noises, check all assembly bolts and ensure they are securely tightened. Loose connections are a common cause of noise.

5.2 Drawer Operation Issues

If drawers do not slide smoothly, check for any obstructions underneath the bed or debris on the wheels. Ensure the drawers are properly aligned within their designated spaces.

5.3 General Issues

For any issues not covered here, please refer to the customer support section for assistance.

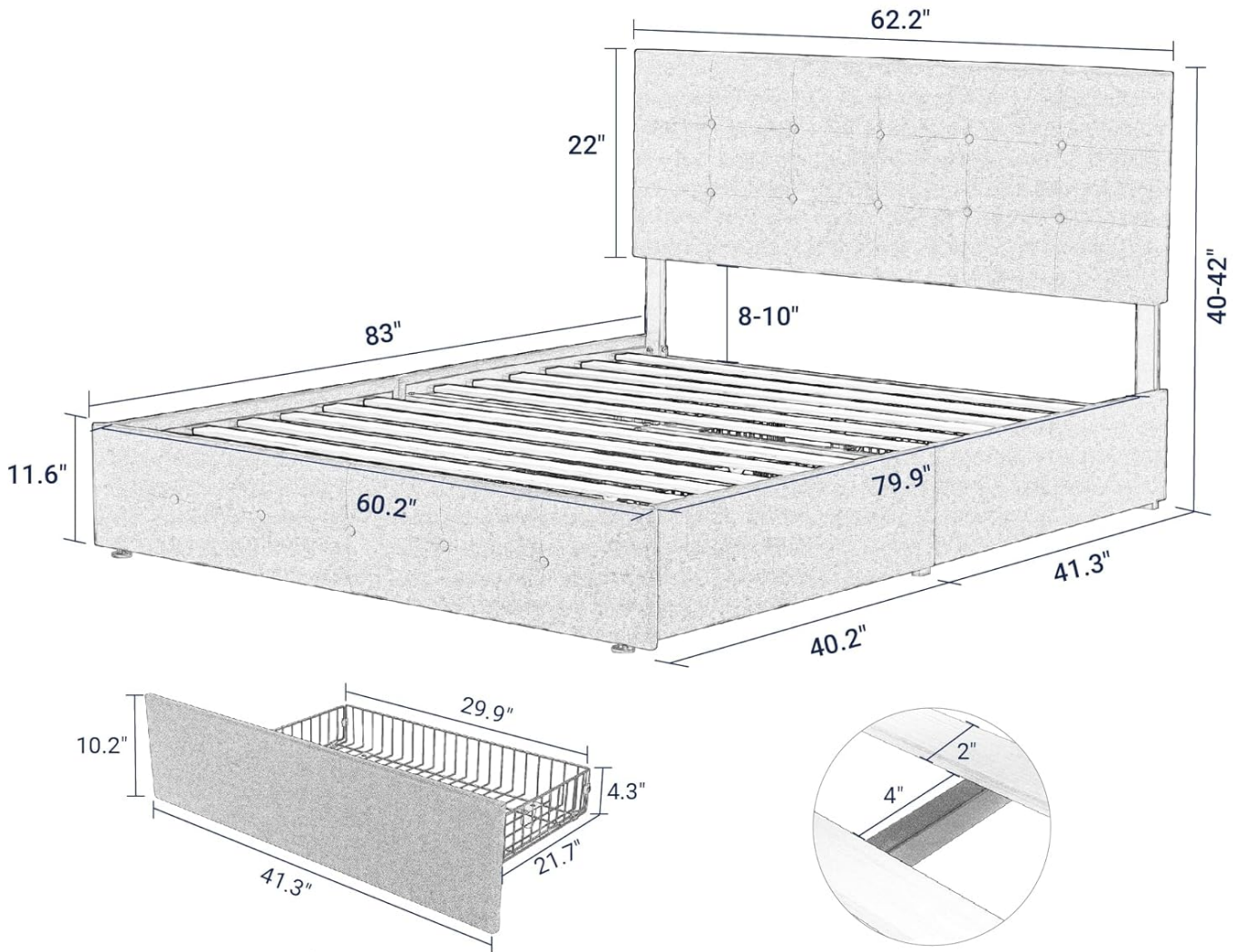
6. SPECIFICATIONS

Attribute	Detail
Brand	Allewie
Model Number	AK-4691-5
Size	Queen
Product Dimensions (L x W x H)	83"L x 62.2"W x 42"H
Weight Capacity	800 Pounds
Item Weight	115.7 Pounds
Upholstery Fabric Type	Linen
Box Spring Needed	No
Assembly Required	Yes
Included Components	Headboard, Hardware Pack, Bed Frame, Slats, 4 Drawers

QUEEN

L * W * H : 83 * 62.2 * (40-42)in.

Weight Capacity: 900 lbs.
Recommend Mattress Thickness: 6-14 in.



Detailed dimensions of the Allewie Queen Size Platform Bed Frame, including headboard height and drawer measurements.

7. IMPORTANT SAFETY INFORMATION

WARNING:

- Do not use without a suitable mattress.
- Ensure drawers are securely closed to prevent entrapment.
- Always follow assembly instructions carefully to prevent injury.
- Do not exceed the maximum weight capacity of 800 pounds.

8. WARRANTY INFORMATION

This Allewie product comes with a limited warranty. For specific details regarding coverage and duration, please refer to the warranty documentation included with your purchase or contact customer support.

9. CUSTOMER SUPPORT

Should you have any questions, require assistance with assembly, or encounter any issues with your Allewie Upholstered Queen Size Platform Bed Frame, please contact Allewie customer support. Contact information can typically be found on the product packaging or the official Allewie website.

For online resources, visit the [Allewie Store on Amazon](#).