



Manuals.plus /

› Pixelman /

› Pixelman Universal Stainless Steel Backup Camera License Plate Mount Instruction Manual

Pixelman PixelMan002

Pixelman Universal Stainless Steel Backup Camera License Plate Mount Instruction Manual

Model: PixelMan002

1. INTRODUCTION

The Pixelman Universal Stainless Steel Backup Camera License Plate Mount is designed to provide a secure and durable installation solution for your vehicle's rear view camera. Constructed from high-quality stainless steel, this mount offers enhanced resistance to corrosion and wear. It is compatible with most rear view cameras that feature a 13mm screw hole distance and is specifically designed for use with US car license plates.

2. PACKAGE CONTENTS

Please verify that all components are present in your package:

- 1 x Stainless Steel License Plate Bracket
- 1 x Stainless Steel Camera Holder
- Mounting Screws (stainless steel)
- 4 x Silicone Protective Gaskets
- 1 x Small Screwdriver

2024 UPGRADE

All Stainless Steel

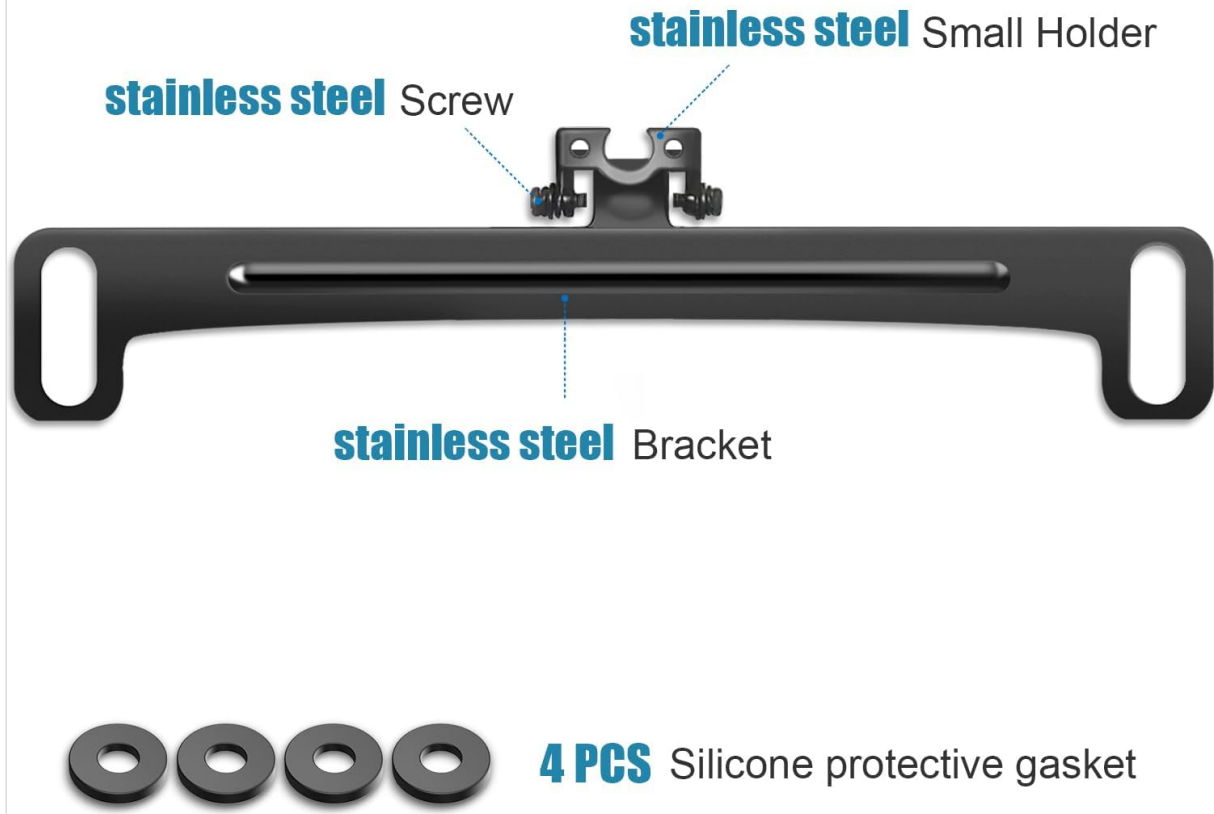


Figure 2.1: Included components of the Pixelman License Plate Mount.

3. SETUP AND INSTALLATION

Follow these steps to properly install your backup camera using the Pixelman license plate mount.

3.1. Verify Camera Compatibility

Before installation, ensure your rear view camera has a screw hole distance of 13mm (approximately 0.51 inches). This mount is designed to fit cameras with this specific measurement.

Before order,
please measure if the space between the two
screw holes of your rear camera is 0.51in



Figure 3.1: Measuring your camera's screw hole distance.

3.2. Attach Camera to Mount

1. Carefully remove the existing small bracket from your backup camera, if applicable.
2. Align the screw holes of your backup camera with the holes on the Pixelman camera holder.
3. Secure the camera to the holder using the provided stainless steel screws and the small screwdriver. Do not overtighten.
4. Attach the camera holder assembly to the main license plate bracket using the remaining screws. Ensure the camera is facing the correct direction.



Figure 3.2: Components of the mount before assembly.

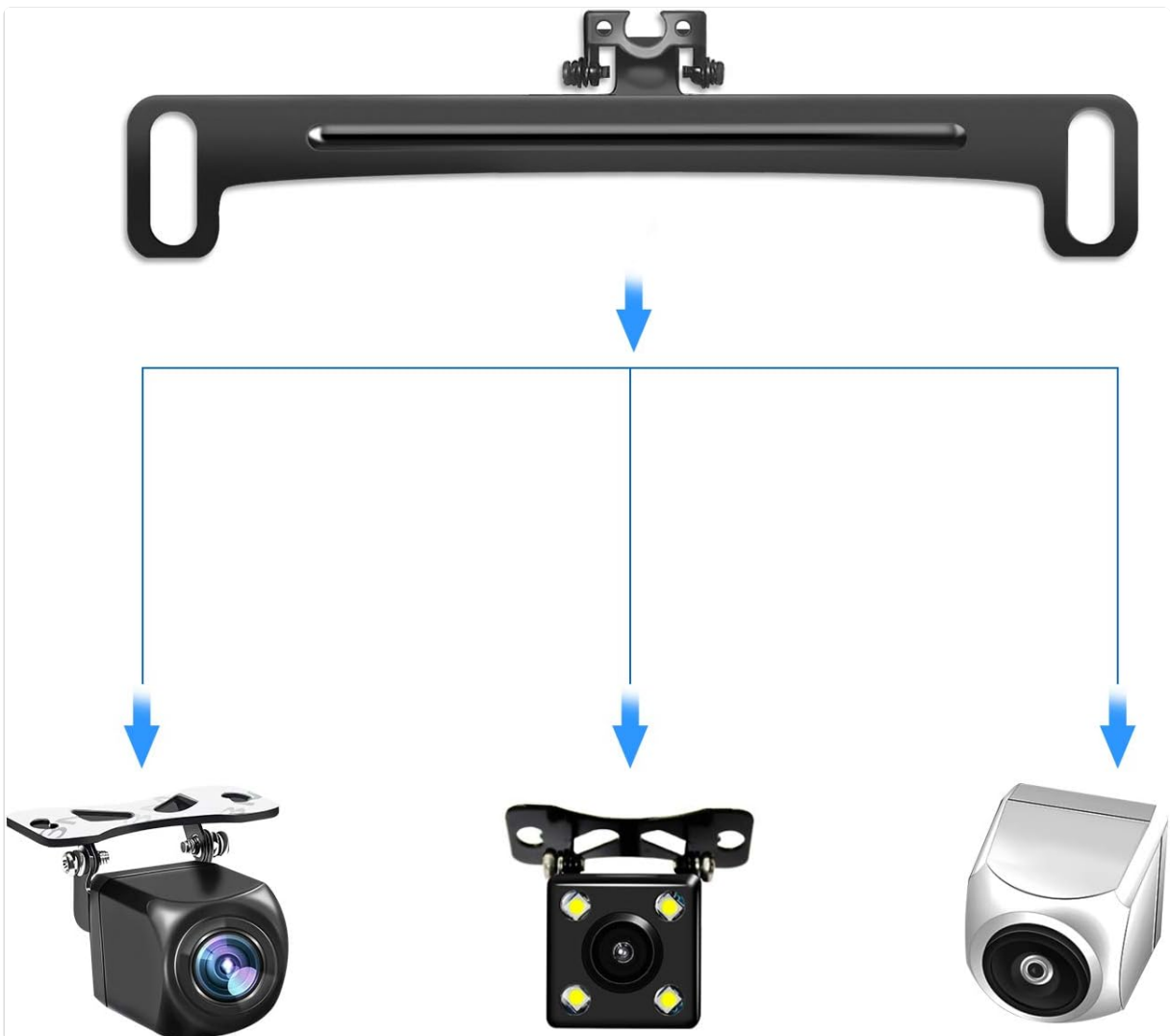


Figure 3.3: The assembled mount with a compatible camera.

3.3. Install on Vehicle

1. Remove your vehicle's rear license plate.
2. Place the Pixelman license plate mount behind your license plate, aligning the screw holes.
3. Insert the silicone protective gaskets between the license plate and the vehicle to prevent scratching and reduce vibration.
4. Re-attach the license plate and the mounted camera bracket to your vehicle using your existing license plate screws. Ensure all screws are tightened securely.
5. Connect your backup camera's wiring to your vehicle's electrical system as per your camera's specific instructions.

Important: This rear view camera bracket is designed for US car license plates only. Before finalizing the installation, test the camera's image to ensure it is not upside down and provides the desired view. Adjust the camera angle on the mount as needed before fully tightening the screws.

HIDDEN INSTALLATION



Figure 3.4: Example of hidden installation on a vehicle.

4. OPERATING THE MOUNT

The Pixelman license plate mount serves as a stable and adjustable platform for your backup camera. Once installed, the camera's angle can be adjusted vertically to achieve the optimal viewing perspective. The operation of the backup camera itself (e.g., display on screen, guidelines) is dependent on the specific camera model and

your vehicle's infotainment system.

5. MAINTENANCE

To ensure the longevity and optimal performance of your Pixelman license plate mount:

- **Cleaning:** Periodically clean the mount and camera lens with a soft, damp cloth to remove dirt, dust, and road grime. Avoid abrasive cleaners.
- **Inspection:** Regularly check all screws and connections to ensure they remain tight and secure. Inspect the mount for any signs of damage or corrosion. Although made of stainless steel, extreme conditions can still affect its appearance over time.
- **Corrosion Resistance:** The upgraded stainless steel construction provides superior resistance to rust and corrosion compared to standard materials.



Figure 5.1: Stainless steel corrosion resistance.

6. TROUBLESHOOTING

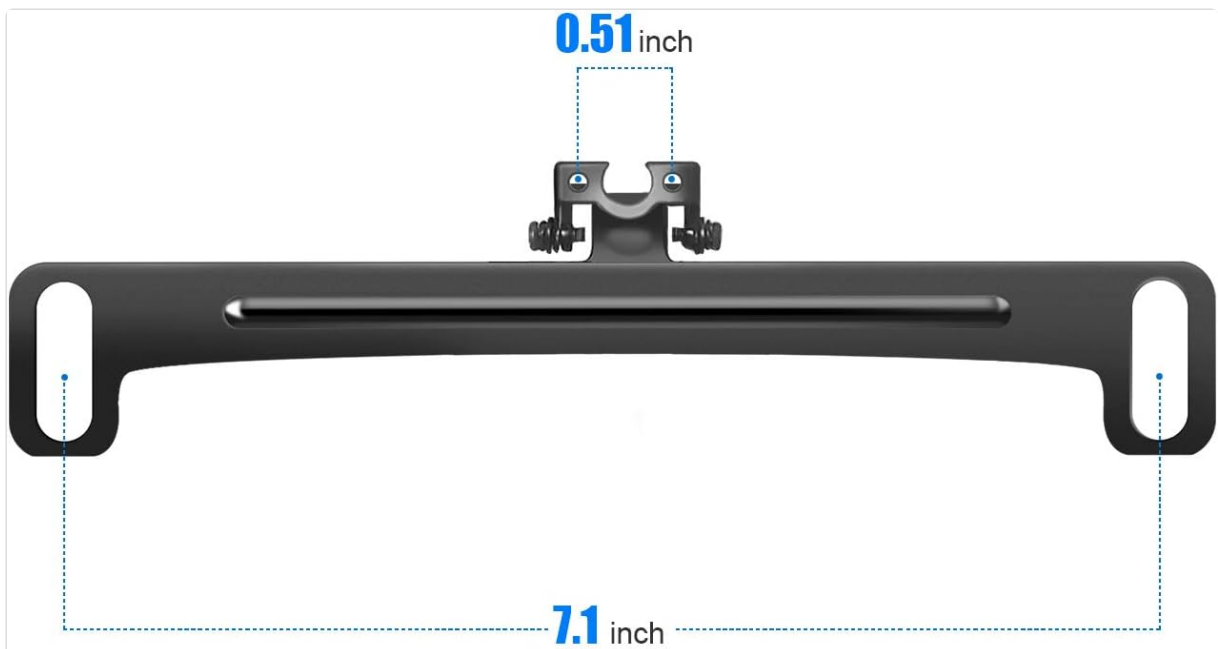
If you encounter issues during installation or use, refer to the following common solutions:

Problem	Solution
Camera does not fit the mount.	Verify that your camera's screw hole distance is 13mm (0.51 inches). If not, the mount may not be compatible.
Mount does not fit the license plate area.	This mount is designed for US car license plates. Ensure your vehicle uses a standard US license plate.
Camera image is upside down after installation.	Before fully tightening, test the camera's image. If upside down, adjust the camera's orientation on the mount or check your camera's settings for image flip options.
Mount feels loose after installation.	Ensure all screws securing the camera to the holder and the holder to the bracket, as well as the license plate to the vehicle, are tightened securely.

7. SPECIFICATIONS

- **Model:** PixelMan002
- **Material:** Upgraded Stainless Steel (Alloy Steel)
- **Color:** Black
- **Product Dimensions:** 5.51 x 1.18 x 0.47 inches (L x W x H)
- **Item Weight:** 1.41 ounces
- **Compatible Camera Screw Hole Distance:** 13mm (0.51 inches)

- **Compatibility:** US Car License Plates



Tips:

Space between the two screw holes is 0.51inch.
Only fit US license plates.

Figure 7.1: Key dimensions of the mount.

8. WARRANTY AND SUPPORT

For information regarding product warranty, please refer to the manufacturer's official warranty policy provided at the time of purchase or on the Pixelman website. For technical support or further assistance, please contact Pixelman customer service through the retailer where the product was purchased.