



Manuals.plus /

› Winflo /

› Winflo H101 30-Inch Convertible Stainless Steel Island Range Hood User Manual

## Winflo H101

# Winflo H101 30-Inch Convertible Stainless Steel Island Range Hood User Manual

Model: H101 | Brand: Winflo

## 1. INTRODUCTION

---

This manual provides comprehensive instructions for the installation, operation, and maintenance of your Winflo H101 30-inch Convertible Stainless Steel Island Range Hood. Please read this manual thoroughly before installation and use to ensure proper function and safety. Keep this manual for future reference.

The Winflo H101 is designed to effectively remove smoke, grease, moisture, and odors from your cooking area, enhancing air quality in your kitchen. It features a premium motor, touch sensor controls, LED lighting, and a convertible design for ducted or non-ducted (recirculating) operation.

## 2. IMPORTANT SAFETY INFORMATION

---

Always follow basic safety precautions when using electrical appliances to reduce the risk of fire, electric shock, or injury to persons.

- Read all instructions carefully before installation and operation.
- Ensure the power supply matches the voltage specified on the rating label.
- Disconnect power before servicing or cleaning the unit.
- Installation must be performed by a qualified technician in accordance with all local codes and standards.
- Do not operate the range hood if the power cord is damaged.
- Maintain proper ventilation in the room when the range hood is used simultaneously with gas or other fuel-burning appliances.
- Clean grease filters regularly to prevent grease fires.
- Never flambé under the range hood.
- This appliance is not intended for use by persons (including children) with reduced physical, sensory or mental capabilities, or lack of experience and knowledge, unless they have been given supervision or instruction concerning use of the appliance by a person responsible for their safety.

### 3. PACKAGE CONTENTS

---

Verify that all components are present and undamaged upon unpacking.

- Winflo H101 Range Hood Unit
- Mesh Filters (Pre-installed)
- LED Lights (Pre-installed)
- Adjustable and Telescoping Chimney Sections
- Installation and Mounting Hardware
- Flexible Duct Work
- Power Plug
- User Manual

**Note:** Charcoal filters (WRHF004S2) for non-ducted installation are sold separately and are not included with this model.

### 4. PRODUCT SPECIFICATIONS

---

Feature	Specification
Model	H101
Dimensions (L x W x H)	29.3 x 23.6 x 40.2 inches
Material	Stainless Steel
Mounting Type	Island Mount
Airflow Capacity	475 CFM (Cubic Feet per Minute)
Noise Level	Less than 65 dB (at high speed)
Number of Speeds	3
Controls Type	Touch Sensor
Lighting	4 LED Lights
Filter Type	Mesh (Aluminum)
Voltage	110 Volts
Wattage	208.50 Watts
Ventilation Type	Convertible (Ducted/Non-Ducted)
Chimney Adjustment	Fits 8 Ft. - 9 Ft. ceilings

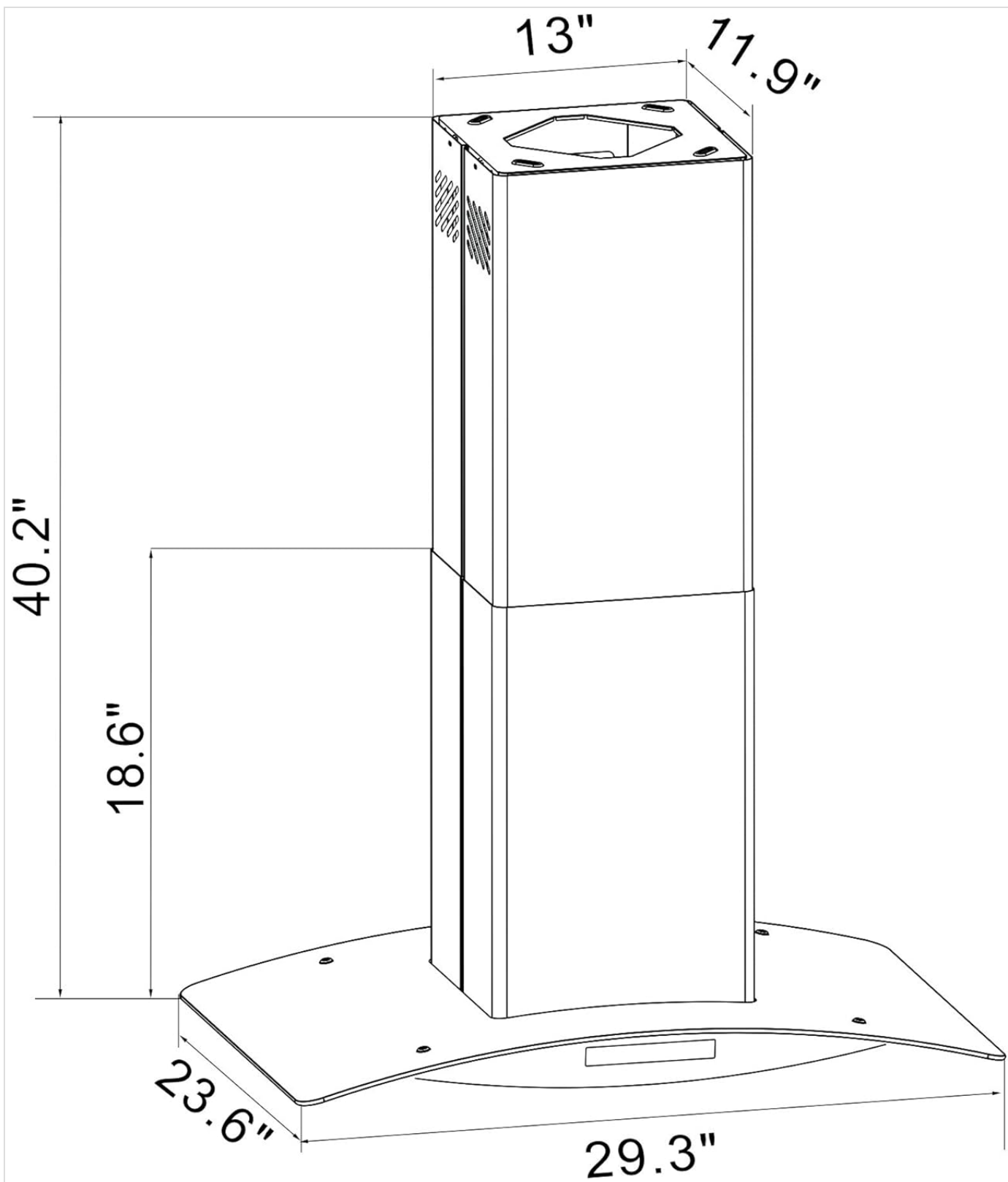


Figure 1: Winflo H101 Range Hood Dimensions. This diagram illustrates the overall dimensions of the range hood, including the main body and the chimney sections, with measurements in inches.

## 5. INSTALLATION AND SETUP

Proper installation is crucial for the performance and safety of your range hood. It is recommended that installation be performed by a qualified professional.

### 5.1 Before You Begin

- Ensure the installation area is structurally sound to support the weight of the range hood.

- Verify that all necessary tools and hardware are available.
- Turn off power at the circuit breaker before beginning any electrical work.
- Determine whether you will be performing a ducted (vented) or non-ducted (recirculating) installation. For non-ducted installation, charcoal filters (WRHF004S2) are required and sold separately.

## 5.2 Ducted Installation

For ducted installation, the range hood vents air outside through a duct system. The vent location is on the top of the unit.

1. **Mounting Bracket Installation:** Secure the main mounting bracket to the ceiling joists or a reinforced ceiling structure. Ensure it is level and centered above your cooking surface.
2. **Ductwork Connection:** Connect the flexible duct work to the exhaust outlet on the top of the range hood and extend it to the exterior vent. Ensure all connections are sealed to prevent air leaks.
3. **Electrical Connection:** Connect the range hood to a grounded 110V electrical outlet. Follow all local electrical codes.
4. **Chimney Installation:** Assemble and install the telescoping chimney sections. The chimney is adjustable to fit ceiling heights between 8 ft. and 9 ft. For higher ceilings, a chimney extension (part# WRHCEI2) is available for purchase.
5. **Final Securement:** Secure the range hood body to the mounting bracket and ensure all components are tightly fastened.



Figure 2: Winflo H101 Front View. This image displays the front of the range hood, highlighting the sleek design and the integrated touch controls.



Figure 3: Winflo H101 Angled View. This image provides a perspective view of the range hood, illustrating its island mount design and the curvature of the glass.

### 5.3 Non-Ducted (Recirculating) Installation

For non-ducted installation, air is filtered through charcoal filters and recirculated back into the kitchen. This requires the purchase of charcoal filters (WRHF004S2).

1. **Charcoal Filter Installation:** Install the charcoal filters onto the motor housing according to the instructions provided with the filters.
2. **Mounting and Electrical:** Follow steps 1, 3, 4, and 5 from the Ducted Installation section. Ensure the chimney sections are properly installed to allow for air recirculation vents.

## 6. OPERATING INSTRUCTIONS

---

The Winflo H101 features a touch sensor control panel for easy operation.



Figure 4: Control Panel and Filters. This image details the touch sensor control interface, LED lighting, and the removable mesh filters.

## 6.1 Control Panel Functions

- **Power Button** ( ): Press to turn the range hood ON or OFF.
- **Fan Speed Control** (≡): Press repeatedly to cycle through 3 fan speeds (Low, Medium, High).
- **Light Button** ( ): Press to turn the LED lights ON or OFF.
- **Delay Shut-off Timer** ( ): Activates a timer for the fan to continue running for a set period before automatically shutting off. Refer to the full manual for specific timer settings.
- **Time Display**: Shows the current time or timer countdown.

## 6.2 General Operation

1. Turn on the range hood a few minutes before cooking to establish an airflow pattern.
2. Select the appropriate fan speed based on the intensity of cooking fumes. Use higher speeds for frying or grilling.
3. Utilize the delay shut-off feature to clear residual odors after cooking.
4. Turn off the range hood and lights when cooking is complete and the air is clear.

## 7. MAINTENANCE

---

Regular maintenance ensures optimal performance and extends the lifespan of your range hood.

### 7.1 Cleaning Mesh Filters

The aluminum mesh filters should be cleaned regularly, typically every 3-6 weeks depending on cooking frequency.

1. **Remove Filters**: Locate the release latches on the filters and gently pull them down to remove.

2. **Clean Filters:** The filters are dishwasher safe. Alternatively, wash them by hand in hot water with a mild detergent. Allow them to dry completely before reinstallation.
3. **Reinstall Filters:** Insert the dry filters back into their slots and secure the latches.



Figure 5: Mesh Filters. This image shows the detailed structure of the removable aluminum mesh filters.

## 7.2 Cleaning Exterior Surfaces

Clean the stainless steel and glass surfaces with a soft cloth and a non-abrasive cleaner specifically designed for stainless steel or glass. Avoid harsh chemicals or abrasive pads.

## 7.3 Replacing Charcoal Filters (Non-Ducted Only)

If using the range hood in non-ducted mode, charcoal filters (WRHF004S2) should be replaced every 3-6 months, or more frequently depending on usage.

1. **Remove Mesh Filters:** Follow the steps in section 7.1 to remove the mesh filters.
2. **Remove Old Charcoal Filters:** Detach the used charcoal filters from the motor housing.
3. **Install New Charcoal Filters:** Attach new charcoal filters (WRHF004S2) to the motor housing.
4. **Reinstall Mesh Filters:** Reinstall the mesh filters.

## 8. TROUBLESHOOTING

---

Before contacting customer support, refer to the following table for common issues and solutions.

Problem	Possible Cause	Solution
Range hood does not operate.	No power supply. Power cord not plugged in. Circuit breaker tripped.	Check power connection. Ensure plug is fully inserted. Reset circuit breaker.
Poor suction performance.	Grease filters are dirty. Ductwork is obstructed or too long. Incorrect fan speed selected. Charcoal filters are saturated (non-ducted).	Clean or replace grease filters. Check ductwork for obstructions and ensure proper length/diameter. Increase fan speed. Replace charcoal filters.
Excessive noise.	Loose components. Obstruction in fan blades. Improper installation of ductwork.	Check and tighten all screws and fasteners. Inspect fan for foreign objects (ensure power is off). Verify ductwork is properly installed and sealed.
Lights not working.	LED lights are faulty. Loose electrical connection.	Contact customer support for replacement LED lights. Check electrical connections (with power off).

## 9. WARRANTY AND CUSTOMER SUPPORT

---

The Winflo H101 range hood comes with a **3-year limited warranty on parts**. Labor is not included. Please retain your proof of purchase for warranty claims.

For technical assistance, warranty service, or to purchase replacement parts (e.g., charcoal filters WRHF004S2, chimney extension WRHCEI2), please contact Winflo customer support.

**Manufacturer:** Winslyn Industries

For further information, you may visit the Winflo Store on Amazon.