

Manuals+

[Q & A](#) | [Deep Search](#) | [Upload](#)

manuals.plus /

- › [IKEA](#) /
- › [IKEA ÄPPLARÖ Outdoor Foldable Chair Instruction Manual](#)

IKEA ÄPPLARÖ

IKEA ÄPPLARÖ Outdoor Foldable Chair Instruction Manual

Model: ÄPPLARÖ

1. INTRODUCTION

Thank you for choosing the IKEA ÄPPLARÖ outdoor foldable chair. This manual provides essential information for the safe and proper assembly, use, and maintenance of your new chair. Designed for versatility and durability, the ÄPPLARÖ chair is perfect for various outdoor settings, offering both comfort and convenient storage.





Image: The IKEA ÄPPLARÖ chair, fully unfolded, showcasing its slatted seat and backrest, and sturdy wooden frame.

2. SETUP AND UNFOLDING

The ÄPPLARÖ chair comes pre-assembled and ready to use. To unfold the chair from its compact storage position:

1. Place the folded chair on a flat, stable surface.
2. Gently pull the backrest upwards and away from the seat.
3. As the backrest moves, the seat will begin to pivot downwards. Continue to unfold until the seat is horizontal and the chair legs are fully extended and locked into place. Ensure all four legs are firmly on the ground before use.
4. Verify that the seat is securely positioned and does not wobble.

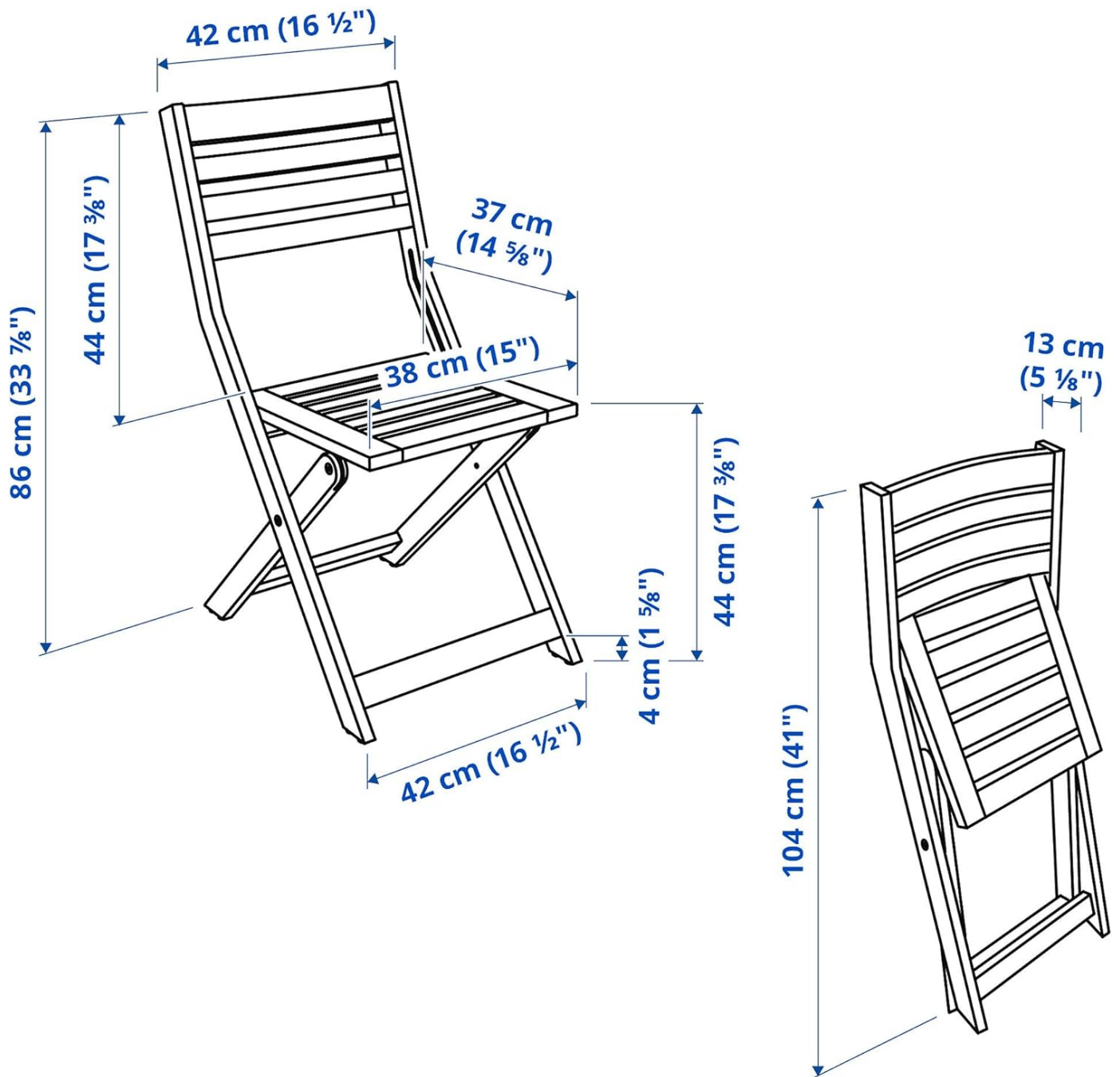


Image: A technical drawing illustrating the chair's dimensions when unfolded (86 cm height, 42 cm width, 38 cm depth) and when folded (104 cm height, 42 cm width, 13 cm depth).

3. OPERATING AND FOLDING FOR STORAGE

The ÄPPLARÖ chair is designed for comfortable seating and efficient storage. To fold the chair for compact storage:

1. Ensure no one is sitting on the chair and remove any cushions or accessories.
2. Locate the folding mechanism under the front edge of the seat. Gently lift the seat upwards from the front.
3. As the seat lifts, the backrest will pivot forward, and the legs will collapse inward. Continue to fold until the chair is flat and compact.
4. Once folded, the chair can be easily stored upright against a wall or stacked with other ÄPPLARÖ chairs to save space.



Image: The ÄPPLARÖ chair in its folded position, demonstrating its slim profile for convenient storage against a wall.

4. CARE AND MAINTENANCE

To ensure the longevity and appearance of your ÄPPLARÖ chair, follow these care instructions:

- **Cleaning:** Wipe clean with a mild soap solution. Dry thoroughly with a clean, dry cloth.
- **Wood Treatment:** For outdoor use, re-stain the furniture regularly, for example, once or twice a year, to prevent the surface from drying out and cracking, and to prevent moisture from penetrating the wood.
- **Storage:** If possible, store your outdoor furniture in a cool, dry place indoors. If stored outdoors, cover it with a waterproof cover. After a rain or snowfall, wipe off excess water or snow from flat surfaces. Allow air to circulate to avoid condensation.
- **Fasteners:** Check regularly that all screws and fittings are tightened. Re-tighten if necessary.



Image: A detailed view of the chair's seat, highlighting the quality of the brown stained wood and the robust folding hinge.

5. TROUBLESHOOTING

- **Stiff Folding Mechanism:** If the chair is difficult to fold or unfold, check for any debris in the hinges. Apply a small amount of silicone-based lubricant to the moving parts if needed, ensuring it is safe for wood.
- **Wood Discoloration/Cracking:** This is common for outdoor wood furniture exposed to elements. Regular re-staining as per maintenance instructions will help prevent this. Small cracks are often superficial and do not affect structural integrity.
- **Wobbling:** Ensure the chair is on a flat, even surface. Check all screws and bolts for tightness and re-tighten if loose.

6. PRODUCT SPECIFICATIONS

Brand	IKEA
-------	------

Model Name	ÄPPLARÖ
Type	Outdoor Foldable Chair
Material	Solid Wood (Acacia)
Finish	Brown Stained
Dimensions (Unfolded)	22.05 x 16.54 x 33.86 inches (56 x 42 x 86 cm)
Dimensions (Folded)	Approx. 41 x 16.5 x 5 inches (104 x 42 x 13 cm)
Special Feature	Foldable for easy storage
Usage	Indoor/Outdoor

7. WARRANTY AND SUPPORT

For information regarding warranty coverage and customer support, please refer to the official IKEA website or contact IKEA customer service directly. Keep your proof of purchase for any warranty claims.

Important Safety Information: Contact the manufacturer for full safety instructions and precautions.