

IKEA MALM desk 140x65x73 cm white

IKEA MALM Desk User Manual

Model: MALM desk 140x65x73 cm white

1. INTRODUCTION

Welcome to your new IKEA MALM desk. This manual provides essential information for the assembly, use, and maintenance of your desk to ensure its longevity and safe operation. The IKEA MALM desk is designed for home office environments, offering a functional and aesthetically pleasing workspace.

Key features include a cable management shelf and a finished back, allowing for flexible placement within a room. The storage unit can be mounted on either the right or left side to suit your preference.

2. SAFETY INFORMATION

Please read all safety instructions carefully before assembly and use. Failure to follow these instructions may result in injury or damage to the product.

- **Maximum Load:** The desk has a maximum load capacity of 50 kg (110 lbs). Do not exceed this weight to prevent structural damage or collapse.
- **Assembly:** Always ensure the desk is properly assembled according to the instructions. All fasteners must be tightened securely.
- **Stability:** For enhanced stability and safety, especially if children are present or if the desk will hold heavy items, consider anchoring the desk to the wall using appropriate wall fasteners (not included). Different wall materials require different types of fastening devices. Consult a professional if unsure.
- **Cable Management:** Utilize the integrated cable management shelf to keep cables organized and prevent tripping hazards.
- **Placement:** Place the desk on a level and stable surface.
- **Cleaning:** Wipe with a damp cloth. Avoid abrasive cleaners or harsh chemicals that may damage the finish.

Important: Always ensure the desk is properly assembled and anchored to the wall if necessary to support the maximum load weight.

3. SETUP AND ASSEMBLY

The IKEA MALM desk requires assembly. Follow the included assembly instructions carefully. All necessary hardware is typically provided with the product. It is recommended to have at least two people for assembly.

3.1 Unpacking

Carefully unpack all components and verify against the parts list provided in the assembly manual. Ensure no parts are missing or damaged before beginning assembly.

3.2 Assembly Steps Overview

1. Identify all components and hardware.
2. Assemble the main desk frame.
3. Attach the legs/side panels.
4. Install the cable management shelf.
5. Assemble and install the storage unit (drawers and cabinet). Note that the storage unit can be positioned on either the right or left side during assembly.
6. Secure all connections and ensure the desk is stable.
7. If desired, anchor the desk to the wall using appropriate wall fasteners (sold separately).



Image: The IKEA MALM desk integrated into a home office environment, showcasing its functional design with a chair and shelving units.

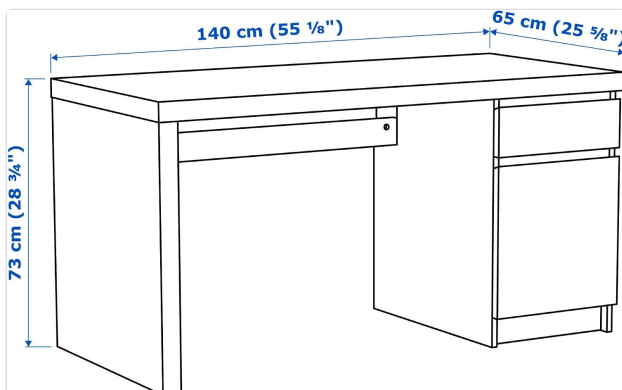


Image: A technical diagram illustrating the dimensions of the MALM desk: 140 cm (55 1/8") width, 65 cm (25 5/8") depth,

and 73 cm (28 3/4") height.



Image: Another view of the IKEA MALM desk in a home office setting, featuring a laptop, desk lamp, and organized office supplies on a pegboard.



Image: A close-up of the MALM desk's integrated storage unit, showing an open cabinet door with internal shelving for books and storage boxes.

4. OPERATING AND USAGE

The IKEA MALM desk is designed for various home office activities, including working, studying, and casual computing.

4.1 Cable Management

The desk features a dedicated shelf under the tabletop for collecting cables and extension leads. This keeps them organized and out of sight, contributing to a tidy workspace and reducing clutter.



Image: A detailed view of the cable management shelf located beneath the desk surface, illustrating how cables can be neatly stored and routed.

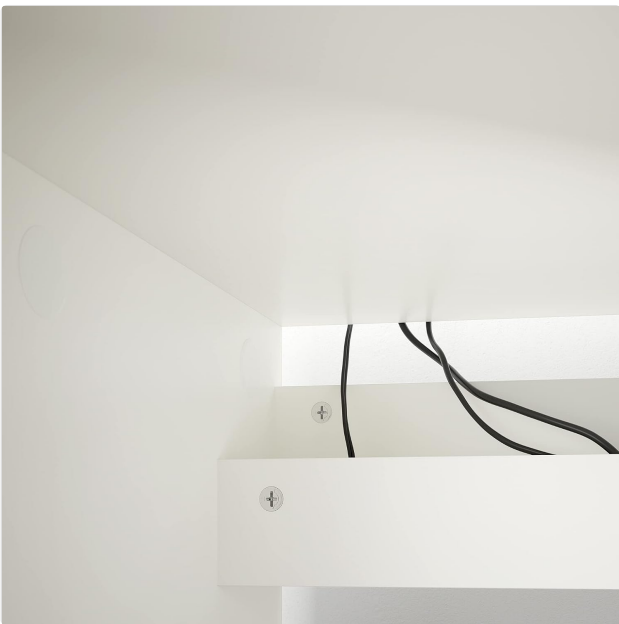


Image: A different perspective of the cable management area, highlighting the design that allows cables to pass through discreetly.

4.2 Storage Unit

The integrated storage unit includes drawers and a cabinet, providing convenient storage for office supplies, documents, and other items. The unit can be installed on either the right or left side during assembly to best suit your room layout and personal preference.



Image: A close-up view of an open drawer within the MALM desk's storage unit, displaying organized office supplies such as a stapler, notebooks, and pens.

4.3 Placement Flexibility

Due to its finished back, the MALM desk can be placed in the middle of a room, not just against a wall, offering greater flexibility in room arrangement.

5. MAINTENANCE

Proper care and maintenance will help preserve the appearance and functionality of your IKEA MALM desk.

5.1 Cleaning Instructions

- **General Cleaning:** Wipe the desk surfaces with a damp cloth.
- **Stubborn Marks:** For more stubborn marks, use a mild soap solution.
- **Drying:** Always wipe dry with a clean cloth after cleaning to prevent water spots or damage.
- **Avoid:** Do not use abrasive cleaners, strong chemical solvents, or harsh scrubbing pads, as these can damage the finish.

5.2 Fastener Check

Periodically check all assembly fasteners (screws, bolts, etc.) to ensure they remain tight. Retighten if necessary to maintain the desk's stability and structural integrity.

6. TROUBLESHOOTING

This section addresses common issues you might encounter with your IKEA MALM desk.

Problem	Possible Cause	Solution
Desk feels wobbly or unstable.	Loose fasteners; uneven floor; desk not anchored.	Check and tighten all assembly fasteners. Ensure the desk is on a level surface; use shims if necessary. Consider anchoring the desk to the wall.

Problem	Possible Cause	Solution
Drawers do not slide smoothly.	Drawer runners are dirty or misaligned; drawer overloaded.	Clean drawer runners. Check if the drawer is correctly installed on the runners. Reduce the weight in the drawer if overloaded.
Visible cables despite cable management.	Cables not properly routed or too many cables.	Ensure all cables are placed on the cable management shelf. Use cable ties or clips to bundle cables neatly.

7. SPECIFICATIONS

Detailed specifications for the IKEA MALM desk.

Feature	Detail
Brand	IKEA
Model Name	MALM desk
Dimensions (Width x Depth x Height)	140 cm (55.12") x 65 cm (25.59") x 73 cm (28.74")
Color	White
Max. Load	50 kg (110 lbs)
Material	Wood (Top Material Type), Metal (Base Material)
Special Feature	Includes shelf for cable management, Finished back
Number of Drawers	3
Number of Enclosed Shelves	1
Assembly Required	Yes
Product Care Instructions	Wipe with Damp Cloth

8. WARRANTY AND SUPPORT

IKEA products typically come with a limited warranty. For specific warranty details, including coverage and duration, please refer to the warranty information provided with your purchase receipt or visit the official IKEA website.

8.1 Customer Support

For assembly assistance, missing parts, or any other product-related inquiries, please contact IKEA customer service. You can find contact information on the IKEA website or on your purchase documentation.

- **IKEA Official Website:** www.ikea.com
- **Assembly Instructions:** Digital versions of assembly instructions are often available on the product page on the IKEA website.

