



---

[Manuals.plus](#) /

> [IKEA](#) /

> IKEA VIKHAMMER Nightstand Instruction Manual

## IKEA VIKHAMMER

# IKEA VIKHAMMER Nightstand Instruction Manual

Model: VIKHAMMER (IK.903.889.78)

## INTRODUCTION

---

This instruction manual provides essential information for the assembly, safe use, and maintenance of your IKEA VIKHAMMER Nightstand. Please read this manual thoroughly before beginning assembly or use, and retain it for future reference.



Image: The IKEA VIKHAMMER Nightstand in black, featuring a top surface, a single drawer, and an open storage shelf below, all supported by a minimalist black metal frame.

## SAFETY WARNINGS

- **Do not place heavy objects on the table.** Exceeding weight limits can compromise stability and lead to damage or injury.
- **Avoid placing body parts in areas where movement or pinching may occur.** This is especially important for drawers and moving components to prevent injury.
- Always ensure the nightstand is placed on a flat, stable surface to prevent tipping.
- If wall-anchoring hardware is provided, it is strongly recommended to secure the nightstand to the wall to prevent tip-over accidents, especially in households with children.

## PRODUCT OVERVIEW

---

The IKEA VIKHAMMER Nightstand is designed for bedside or general storage, offering a blend of functionality and modern aesthetics. It features a smooth-gliding drawer and an open shelf for convenient access to your belongings.

### Key Features:

- **Soft-Close Drawer:** The integrated SoftClose function ensures the drawer closes silently and gently, preventing slamming and extending product life.
- **Storage:** One spacious drawer and an open shelf provide ample storage for books, electronics, and personal items.
- **Durable Construction:** Made from engineered wood with a sturdy metal frame.



Image: A close-up view of the IKEA VIKHAMMER Nightstand with its drawer fully open, revealing books and a tablet stored neatly inside. This highlights the internal storage capacity.

## SETUP AND ASSEMBLY

---

The IKEA VIKHAMMER Nightstand requires assembly. Please refer to the separate assembly instructions included with your product packaging for detailed, step-by-step guidance. Ensure all components are present before beginning assembly.

### General Assembly Tips:

- Lay out all parts and hardware on a clean, soft surface to prevent scratches.
- Use the correct tools as specified in the assembly guide.
- Tighten all screws and fasteners securely, but do not overtighten.
- If wall-anchoring hardware is included, install it according to the instructions to prevent tip-over hazards.

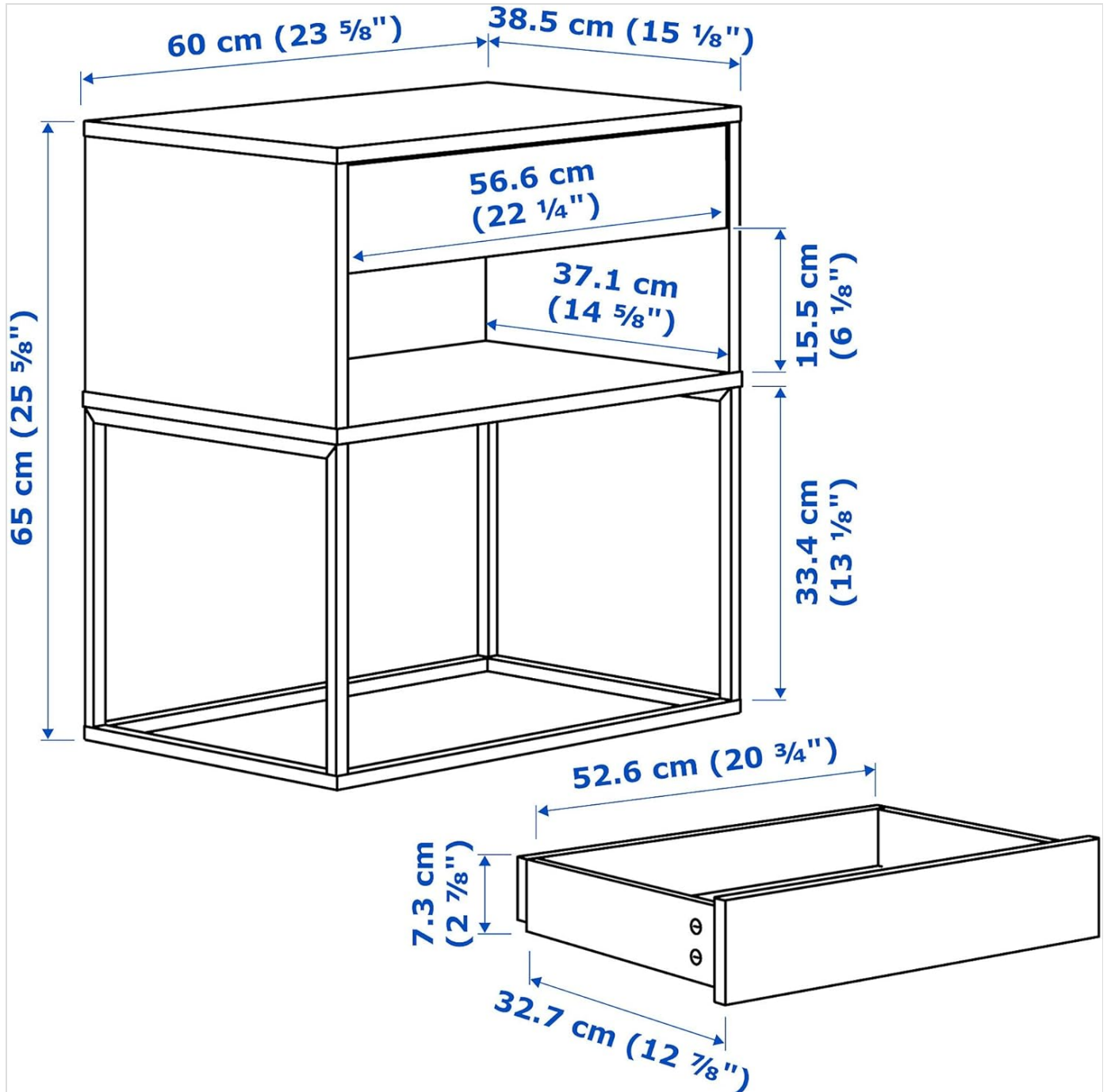


Image: A technical drawing illustrating the dimensions of the IKEA VIKHAMMER Nightstand, including overall height, width, depth, and internal drawer measurements, provided in both centimeters and inches.

## OPERATING INSTRUCTIONS

### Using the Drawer:

1. To open the drawer, gently pull the front panel outwards.
2. To close the drawer, push the front panel inwards. The integrated SoftClose mechanism will engage, allowing the drawer to close smoothly and quietly without force.
3. Avoid forcing the drawer open or closed, as this can damage the SoftClose mechanism or drawer runners.



Image: A detailed close-up of the drawer front of the IKEA VIKHAMMER Nightstand, showcasing its smooth, matte black finish and minimalist design.

## MAINTENANCE

---

### Cleaning:

- Wipe clean with a damp cloth and a mild cleaner.
- Wipe dry with a clean cloth.
- Avoid using abrasive cleaners, harsh chemicals, or scouring pads, as these can damage the surface finish.

### Care:

- Regularly check and retighten any loose screws or fittings to maintain stability.
- Protect surfaces from excessive moisture and direct heat. Use coasters under drinks.
- Avoid dragging the nightstand when moving it; always lift to prevent damage to the legs and floor.



Image: A close-up view of the sturdy black metal frame that forms the base of the IKEA VIKHAMMER Nightstand, resting on a light-colored wooden floor, illustrating the structural support.

## TROUBLESHOOTING

- **Drawer not closing smoothly:** Check for any obstructions in the drawer runners. Ensure the drawer is correctly aligned on its tracks. If the SoftClose mechanism seems faulty, verify it was installed correctly according to the assembly instructions.
- **Wobbling or instability:** Ensure the nightstand is on a level surface. Check all assembly screws and fittings and tighten them if loose.
- **Scratches or minor damage:** For minor surface scratches, touch-up paint or markers designed for furniture can be used. Consult IKEA for recommended repair products.

## SPECIFICATIONS

<b>Brand</b>	IKEA
<b>Model Name</b>	VIKHAMMER
<b>Model Number</b>	IK.903.889.78
<b>Color</b>	Black
<b>Material</b>	Engineered Wood, Steel
<b>Dimensions (L x W x H)</b>	Approx. 60 cm x 39 cm x 65 cm (23 5/8" x 15 3/8" x 25 5/8")
<b>Drawer Interior Dimensions (L x W x H)</b>	Approx. 52 cm x 33 cm x 7 cm (20 3/4" x 12 7/8" x 2 7/8")
<b>Weight</b>	Approx. 100 g (Note: This weight seems unusually low for furniture and might be a data entry error. Refer to product packaging for accurate weight.)
<b>Features</b>	Soft-close drawer, Open storage shelf

## WARRANTY AND SUPPORT

For information regarding warranty, spare parts, or customer support, please refer to the documentation provided with your purchase or visit the official IKEA website. IKEA offers various support services to assist with product inquiries, assembly issues, and warranty claims.

You can typically find contact information and FAQs on the IKEA website for your region.