

[Manuals.plus](#) /

> [Vector Optics](#) /

> Vector Optics Frenzy XL 1x22x26 SCRD-36 Red Dot Sight User Manual

Vector Optics SCRD-36

Vector Optics Frenzy XL 1x22x26 SCRD-36 Red Dot Sight User Manual

Model: SCRD-36

Brand: Vector Optics

1. INTRODUCTION

This manual provides detailed instructions for the proper installation, operation, and maintenance of your Vector Optics Frenzy XL 1x22x26 SCRD-36 Red Dot Sight. Please read this manual thoroughly before using the product to ensure optimal performance and safety. This red dot sight is designed for precision aiming in various shooting and hunting applications.



Image 1: Angled view of the Vector Optics Frenzy XL Red Dot Sight, showcasing its compact design and branding.

2. PRODUCT OVERVIEW AND FEATURES

The Vector Optics Frenzy XL SCRD-36 is a high-performance red dot sight engineered for reliability and accuracy. Key features include:

- **Magnification:** 1x (true 1x for both eyes open shooting).
- **Objective Lens Size:** 22x26mm for a wide field of view.
- **Dot Size:** 3 MOA red dot for precise targeting.
- **Motion Sensor (MOS):** Automatic power on/off based on movement to conserve battery life.
- **Brightness Settings:** 8 levels of daylight brightness plus 2 night vision compatible settings.
- **Durability:** Constructed from 6061 T6 aluminum, IP67 waterproof, and shockproof.
- **Battery Life:** Over 50,000 hours on the lowest setting.
- **Mounting:** Compatible with Picatinny mounts and features an RMR/SRO footprint.



Image 2: Front view of the Red Dot Sight, highlighting the 22x26mm objective lens.

3. PACKAGE CONTENTS

Verify that all items are present in your package:

- Vector Optics Frenzy XL 1x22x26 SCR-D-36 Red Dot Sight
- Picatinny Mount

- Cleaning Cloth
- User Manual (this document)
- Mounting Screws and Tools

Frenzy 1x17x24



Frenzy 1x22x26 AUT / MOS



Frenzy 1x20x28

Image 3: The product box for the Frenzy XL 1x22x26 MOS Red Dot Sight.

4. SETUP AND INSTALLATION

4.1 Battery Installation

The Frenzy XL uses a CR2032 battery. To install or replace the battery:

1. Locate the battery compartment on the bottom of the sight.
2. Unscrew the battery cap using a coin or appropriate tool.
3. Insert a new CR2032 battery with the positive (+) side facing up.
4. Securely screw the battery cap back into place.

MOJ™ Red Dot Footprint

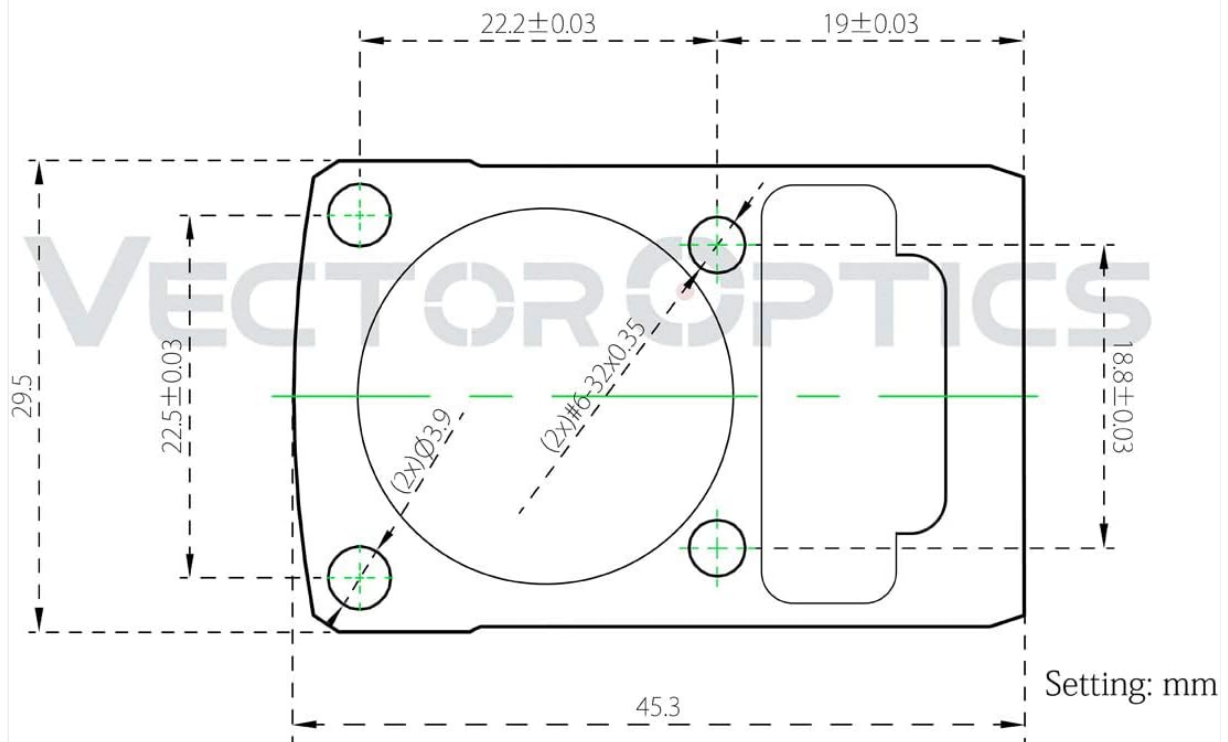


Image 4: Underside view showing the battery compartment for a CR2032 battery.

4.2 Mounting the Sight

The sight comes with a Picatinny mount and is designed with an RMR/SRO footprint for direct mounting on compatible slides or bases.

1. Attach the Picatinny mount to your firearm's rail, ensuring it is securely fastened.
2. Align the red dot sight with the mount or compatible slide/base.
3. Use the provided screws to firmly attach the sight. Do not overtighten.

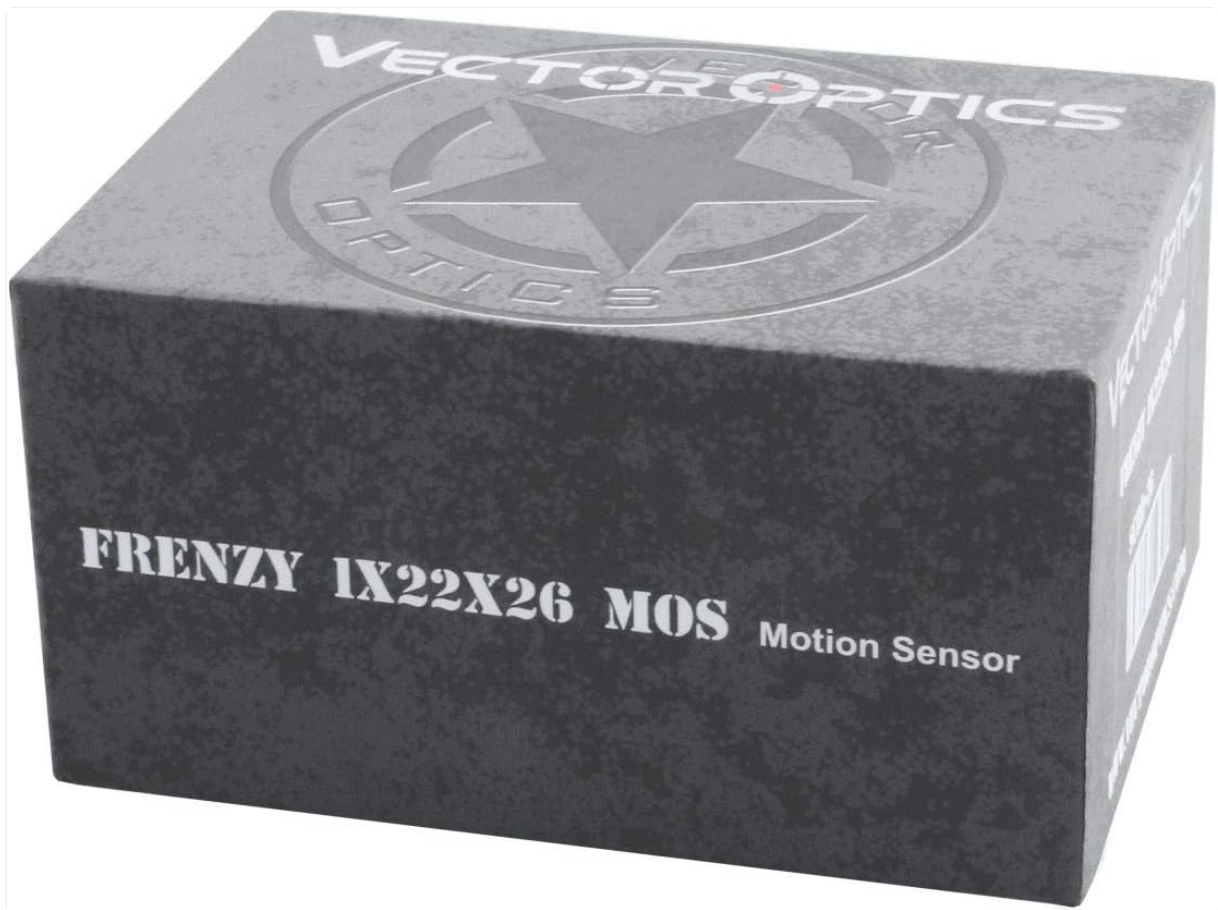


Image 5: Diagram illustrating the red dot sight's footprint dimensions for compatibility.

5. OPERATION

5.1 Power On/Off and Brightness Adjustment

The Frenzy XL features a Motion Sensor (MOS) for automatic power management. When motion is detected, the sight powers on. After a period of inactivity, it will automatically power off to save battery.

- **Power On:** The sight automatically activates when motion is detected.
- **Power Off:** The sight automatically deactivates after approximately 2 minutes of no motion.
- **Brightness Adjustment:** Use the "+" and "-" buttons located on the side of the sight to cycle through 8 daylight brightness levels and 2 night vision settings.



Image 6: Side view of the red dot sight, showing the brightness adjustment buttons and windage adjustment screw.

5.2 Windage and Elevation Adjustment

Adjustments for windage (horizontal) and elevation (vertical) are made using the adjustment screws on the top and side of the sight. Each click typically represents a specific change in point of impact at a given distance (e.g., 1 MOA per click).

- **Elevation Adjustment:** The "UP" marking indicates the direction to turn the screw to move the point of impact upwards.
- **Windage Adjustment:** The "R" marking indicates the direction to turn the screw to move the point of impact to the right.
- Use a small flathead screwdriver or the provided tool for adjustments. Make small, controlled adjustments and re-test after each change.



Image 7: Top view of the red dot sight, showing the elevation adjustment screw marked "UP".

6. MAINTENANCE

Proper maintenance ensures the longevity and performance of your red dot sight.

- **Cleaning the Lenses:** Use the provided cleaning cloth or a soft, lint-free cloth with lens cleaning solution. Avoid abrasive materials that could scratch the lens coatings.
- **Cleaning the Body:** Wipe the sight body with a damp cloth to remove dirt and debris. Avoid harsh chemicals.
- **Battery Replacement:** Replace the CR2032 battery as needed. If storing the sight for an extended period, it is recommended to remove the battery.
- **Storage:** Store the sight in a dry, cool place, away from direct sunlight and extreme temperatures.

7. TROUBLESHOOTING

If you encounter issues with your red dot sight, refer to the following common problems and solutions:

Problem	Possible Cause	Solution
---------	----------------	----------

Problem	Possible Cause	Solution
Red dot is not visible.	Dead battery, low brightness setting, motion sensor inactive.	Replace battery, increase brightness, move the sight to activate motion sensor.
Red dot is blurry or distorted.	Astigmatism (user's eye condition), dirty lens, incorrect focus.	Consult an optometrist if you suspect astigmatism. Clean lenses. Red dot sights are parallax-free, so focus is not adjustable.
Point of impact shifts.	Loose mount, adjustment screws not secure.	Ensure the sight is securely mounted. Check adjustment screws for tightness.

If the issue persists, please contact Vector Optics customer support for further assistance.

8. SPECIFICATIONS

Feature	Detail
Model Name	Frenzy XL
Model Number	SCRD-36
Magnification	1x
Objective Lens Diameter	22x26 mm
Reticle Type	3 MOA Dot
Brightness Levels	8 Daylight, 2 Night Vision
Material	6061 T6 Aluminum
Weight	30 Grams
Dimensions (L x W x H)	50L x 27W x 32H mm
Waterproof Rating	IP67
Battery Type	CR2032
Mounting Type	Picatinny, RMR/SRO Footprint
Field of View	45 Minutes of Arc

9. WARRANTY AND SUPPORT

Vector Optics provides a commitment to quality and customer satisfaction.

- **Spare Parts Availability:** Spare parts are available for 5 years from the date of purchase.
- **Customer Support:** For any questions, technical assistance, or warranty claims, please contact Vector Optics customer service through their official website or your retailer.

