

ZIYOO 5018-Q

ZIYOO Queen Size 18-Inch Platform Bed Frame (Model 5018-Q) Instruction Manual

Your guide to safe assembly, usage, and maintenance.

1. SAFETY INFORMATION

Please read and understand all instructions before assembly and use. Keep this manual for future reference.

- **Always follow the assembly instructions carefully** to avoid injury.
- Be cautious of sharp edges during assembly and use.
- Ensure all bolts and screws are securely tightened before use. Periodically check and re-tighten as necessary.
- Do not exceed the maximum weight capacity of 1500 lbs.
- Keep small parts away from children during assembly.
- Use on a level surface to prevent instability.

2. PACKAGE CONTENTS

Verify that all components are present before beginning assembly. If any parts are missing or damaged, please contact customer support.

- Bed Frame Components (Side Rails, Center Support, Legs, Slats)
- Assembly Instructions
- Assembly Tools (Allen wrench, small open-end wrench)
- Hardware (Bolts, Washers, Nuts)

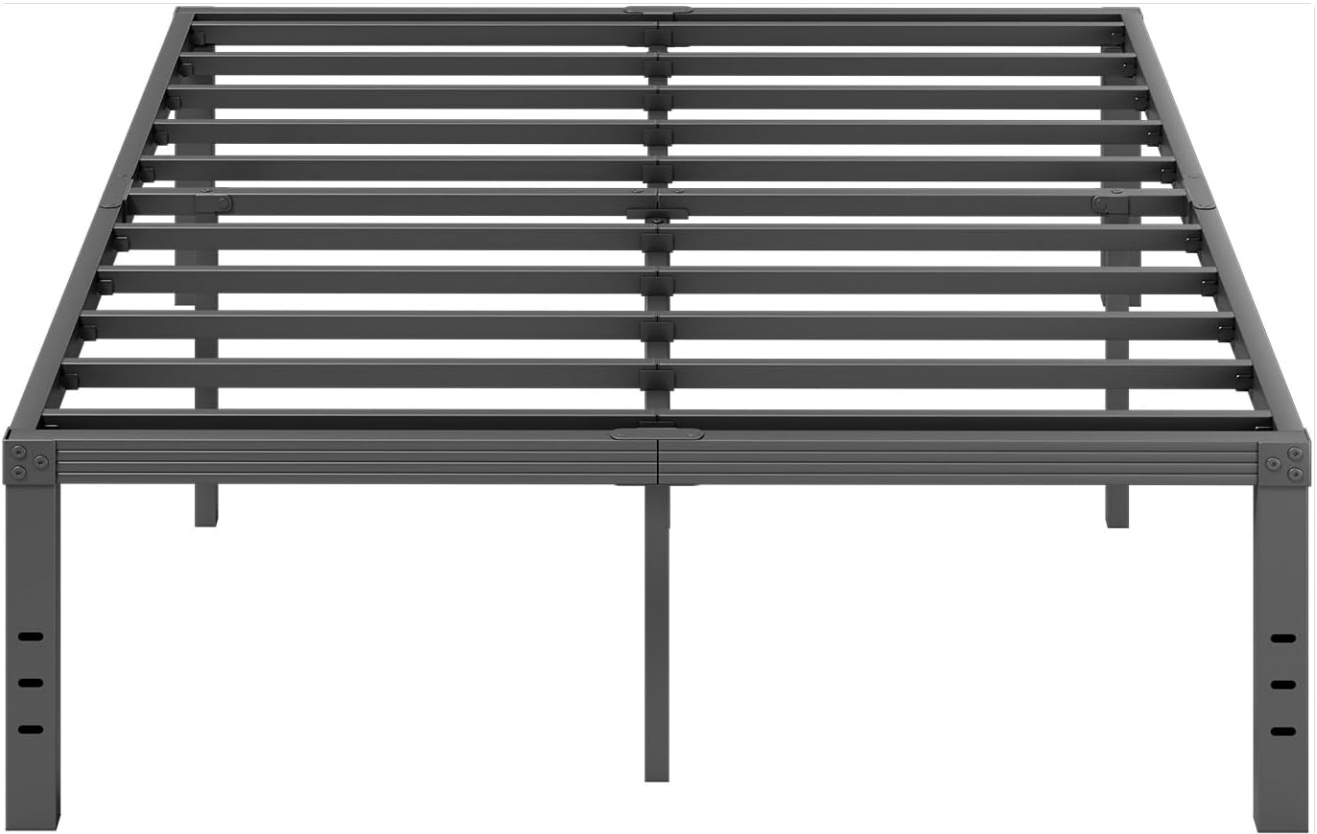


Figure 2.1: Fully assembled ZIYOO Queen Size 18-Inch Platform Bed Frame, illustrating the steel slat design and support legs.

3. PRODUCT SPECIFICATIONS

Feature	Detail
Size	Queen
Product Dimensions	80"L x 60"W x 18"H
Special Feature	Squeak Resistant
Color	Black
Finish Type	Powder Coated
Included Components	Assembly Instructions, Assembly tools, Slats
Compatible Mattress Size	Queen L80" * W60"
Assembly Required	Yes
Ground To Item Distance	16 Inches
Item Weight	31.8 pounds
Model Number	5018-Q
UPC	850064023756

QUEEN SIZE

Weight Capacity
1500 lbs

For Mattress Size
80"×60"

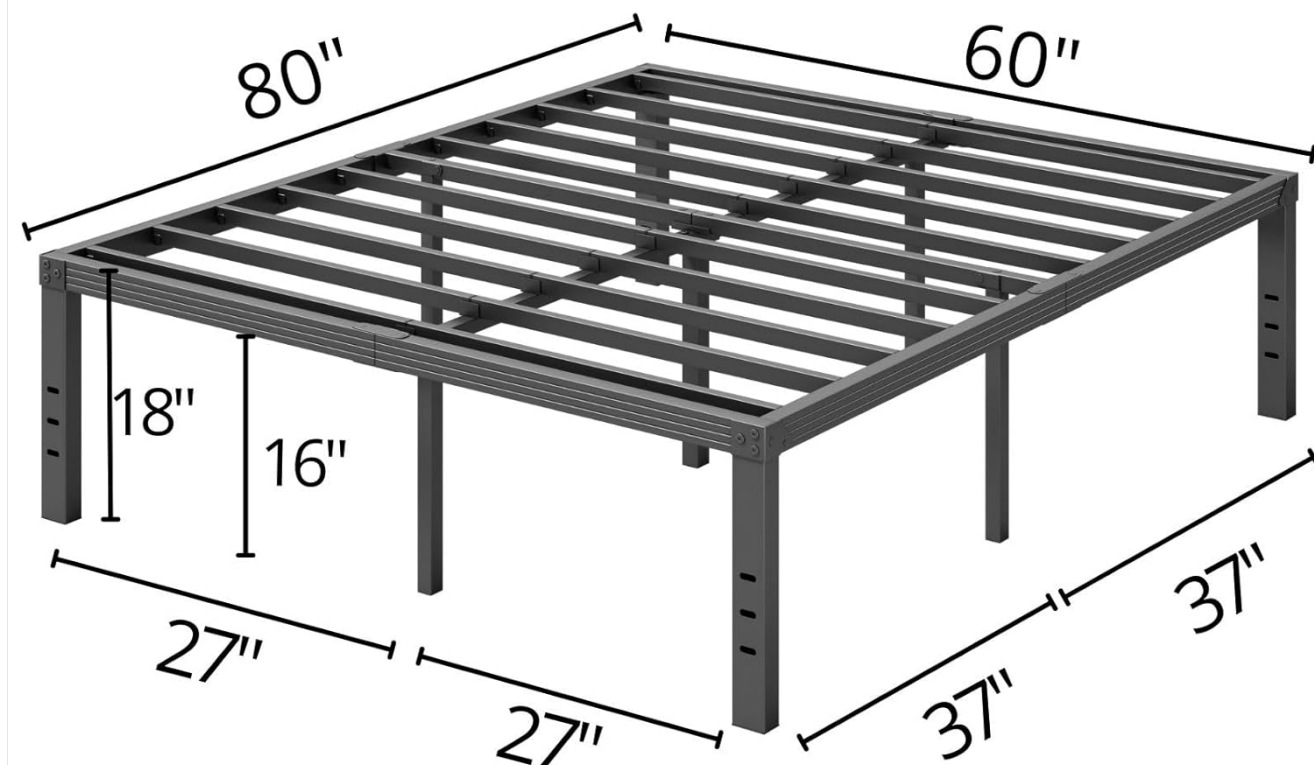


Figure 3.1: Dimensions and weight capacity of the ZIYOO Queen Size 18-Inch Platform Bed Frame.

4. ASSEMBLY INSTRUCTIONS

Assembly is designed to be straightforward and can typically be completed within 30 minutes. Follow these steps carefully.

- 1. Unpack Components:** Carefully remove all parts from the packaging and lay them out on a clean, soft surface (e.g., a carpet or blanket) to prevent scratches. Verify all parts are present against the package contents list.
- 2. Assemble Side Rails:** Connect the two halves of each side rail using the provided bolts and tools. Ensure they are securely fastened.
- 3. Attach Legs:** Securely attach the support legs to the assembled side rails. Note that some legs may have pre-drilled holes for headboard attachment.
- 4. Connect Frame Sections:** Join the two main frame sections (head and foot) together using the central connecting hardware.
- 5. Install Center Support:** Place the center support beam(s) and attach any additional support legs as indicated in the diagram.

- 6. Place Slats:** Lay the steel slats across the frame. Ensure each slat is properly seated in its designated position. The non-slip design helps keep the mattress in place.
- 7. Final Tightening:** Once all components are in place, go back and ensure all bolts and screws are fully tightened. Do not overtighten.



Figure 4.1: Illustration of the bed frame during partial assembly, highlighting the simple installation process.

5. USAGE INSTRUCTIONS

5.1 Mattress Placement

Place your Queen size mattress (80"L x 60"W) directly onto the steel slats. A box spring is not required with this platform bed frame. The non-slip design of the slats helps prevent mattress movement.

5.2 Under-Bed Storage

The bed frame provides approximately 16 inches of clearance underneath, offering ample space for storage bins, luggage, or other items to keep your room organized.

16 Inch Clearance

Bed frame provides 16" space to keep your belongings organized and easily accessible.



Figure 5.1: Demonstrating the 16-inch under-bed clearance for storage solutions.



Figure 5.2: The ZIYOO bed frame with mattress and bedding, illustrating practical under-bed storage.

5.3 Headboard Compatibility

The ZIYOO bed frame is designed to be compatible with most standard headboards. Attachment points are integrated into the frame for easy installation of a separate headboard (headboard not included).

Headboard Compatible

Tip: This product does not include a headboard



Figure 5.3: Examples of headboard compatibility with the ZIYOO bed frame.

6. MAINTENANCE

- **Cleaning:** Wipe the metal frame with a damp cloth. Avoid harsh chemicals or abrasive cleaners that could damage the powder-coated finish.
- **Regular Inspection:** Periodically check all bolts and connections to ensure they remain tight. Re-tighten any loose hardware to maintain stability and prevent noise.
- **Slat Integrity:** Ensure all slats are properly seated and undamaged. Replace any bent or broken slats immediately to maintain mattress support.

7. TROUBLESHOOTING

- **Squeaking Noises:** If the bed frame produces squeaking noises, check all bolts and connections. Tighten any loose hardware. Ensure the frame is on a level surface. The design includes features to reduce noise, but loose connections can still cause sound.
- **Mattress Sliding:** The frame features a non-slip design for the mattress. If your mattress still slides, ensure it is correctly centered on the frame. Consider using a non-slip mattress pad for additional grip.

- **Slats Falling Out:** Ensure all slats are fully inserted into their designated slots on the side rails. If slats appear too short or do not fit snugly, double-check the frame assembly to ensure the side rails are correctly positioned and not spread too wide. Contact customer support if the issue persists after verifying assembly.
- **Instability/Wobbling:** Verify that the bed frame is assembled on a flat, level floor. Check all leg connections and frame joints for tightness. Ensure all support legs are making firm contact with the floor.

8. WARRANTY AND SUPPORT

For warranty information or assistance with your ZIYOO Queen Size 18-Inch Platform Bed Frame, please refer to the warranty card included with your purchase or visit the official ZIYOO store online.

Online Support: For additional support, FAQs, or to contact customer service, please visit the [ZIYOO Store on Amazon](#).
