

[Manuals.plus](#) /

› [Novogratz](#) /

› Novogratz Brittany Futon Sofa Bed and Couch Sleeper Instruction Manual

Novogratz 2115309N

Novogratz Brittany Futon Sofa Bed and Couch Sleeper

Model: 2115309N

Brand: Novogratz

INTRODUCTION

This manual provides instructions for the assembly, operation, and maintenance of your Novogratz Brittany Futon Sofa Bed and Couch Sleeper. Designed with a Mid-Century Modern aesthetic, this versatile furniture piece functions as both a comfortable sofa and a convenient sleeper bed, ideal for living rooms, home offices, or guest rooms.



Image: The Novogratz Brittany Futon Sofa Bed in Camel Faux Leather, showcasing its design in a modern living room. Key features include a vertical channel tufted backrest, curved armrests, and tapered solid wood legs. The futon is constructed with a plywood frame, no-sag spring backing, and foam-padded arms and seat for a firm yet supportive foundation.

SAFETY INFORMATION

Please read all instructions carefully before assembly and use. Keep this manual for future reference. Ensure all components are securely fastened before use. Do not exceed the maximum weight limit of 600 lbs. This product is intended for indoor use only.

PACKAGE CONTENTS

All necessary parts, tools, and instructions for assembly are included in the product packaging. Please verify that all components are present before beginning assembly.

- Futon Sofa Body
- Tapered Solid Wood Legs (4)
- Center Support Legs (2, plastic)
- Concealed Fold-Out Support Legs (2, metal, located in rear zippered pockets)

- Assembly Hardware and Tools
- Instruction Manual

SETUP AND ASSEMBLY

Assembly of the Novogratz Brittany Futon is designed to be minimal. Follow the included instructions step-by-step. Felt-lined legs are provided to prevent scratching floors during movement.

Assembly Video

Your browser does not support the video tag.

Video: An assembly guide for a futon sofa bed, demonstrating the steps to put the furniture together.

WHY YOU'LL LOVE THIS



Image: Exploded view diagram highlighting the structural components of the futon, including legs and backrest features.

OPERATING INSTRUCTIONS

The Novogratz Brittany Futon features a versatile split-back design, allowing it to transition between sitting, lounging, and sleeping positions. The backrest can be lowered to convert the sofa into a small sleeper bed.

Conversion Video

Your browser does not support the video tag.

Video: An official product video demonstrating the features and conversion of the Novogratz Brittany Futon.



SIT



LOUNGE



SLEEP

MULTI-FUNCTIONAL 3-IN-1 SPLIT BACK DESIGN

Image: Visual guide illustrating the three functional positions: Sit, Lounge, and Sleep, highlighting the 3-in-1 split back design.

Converting from Sofa to Bed:

1. Ensure there is sufficient clear space behind the futon for the backrest to recline fully.
2. Utilize the easy push-pull mechanism to recline each side of the backrest independently.
3. For a full sleeper bed, lower both sections of the backrest completely flat.
4. Locate and deploy the two concealed fold-out support legs from the zippered compartments at the rear for added stability in bed mode.

Converting from Bed to Sofa:

1. Fold the concealed support legs back into their zippered compartments.
2. Lift each section of the backrest until it clicks into the desired upright or lounging position.

MAINTENANCE AND CARE

To maintain the appearance and longevity of your futon, follow these care instructions:

- **Cleaning:** For spills and stains, simply wipe with a damp cloth. Avoid harsh chemicals or abrasive cleaners.
- **General Care:** Regularly dust the faux leather upholstery with a soft, dry cloth.
- **Legs:** Periodically check and tighten all leg connections to ensure stability.

TROUBLESHOOTING

If you encounter any issues with your Novogratz Brittany Futon, please review the assembly steps to ensure all components are correctly installed and tightened. For persistent problems or concerns, contact Novogratz customer support.

SPECIFICATIONS

Feature	Detail
Brand	Novogratz
Model Number	2115309N
Futon Dimensions (L x W x H)	81.5" x 34.5" x 31.5"
Sleeper Dimensions (L x W x H)	70.5" x 43.5" x 16"
Weight Limit	600 lbs
Item Weight	83.5 lbs
Upholstery Material	Faux Leather
Frame Material	Plywood
Leg Material	Oak Wood
Seat Fill Material	Polyester and Foam
Assembly Required	Yes (Tools Included)
Reclining Positions	3

CONVERTIBLE SOFA TURNS INTO A BED



WEIGHT LIMIT



MULTIFUNCTIONAL



SHIPS IN 1 BOX



QUICKY ASSEMBLY

Image: Detailed dimensions of the futon in both sofa and bed modes, highlighting its compact and convertible nature.

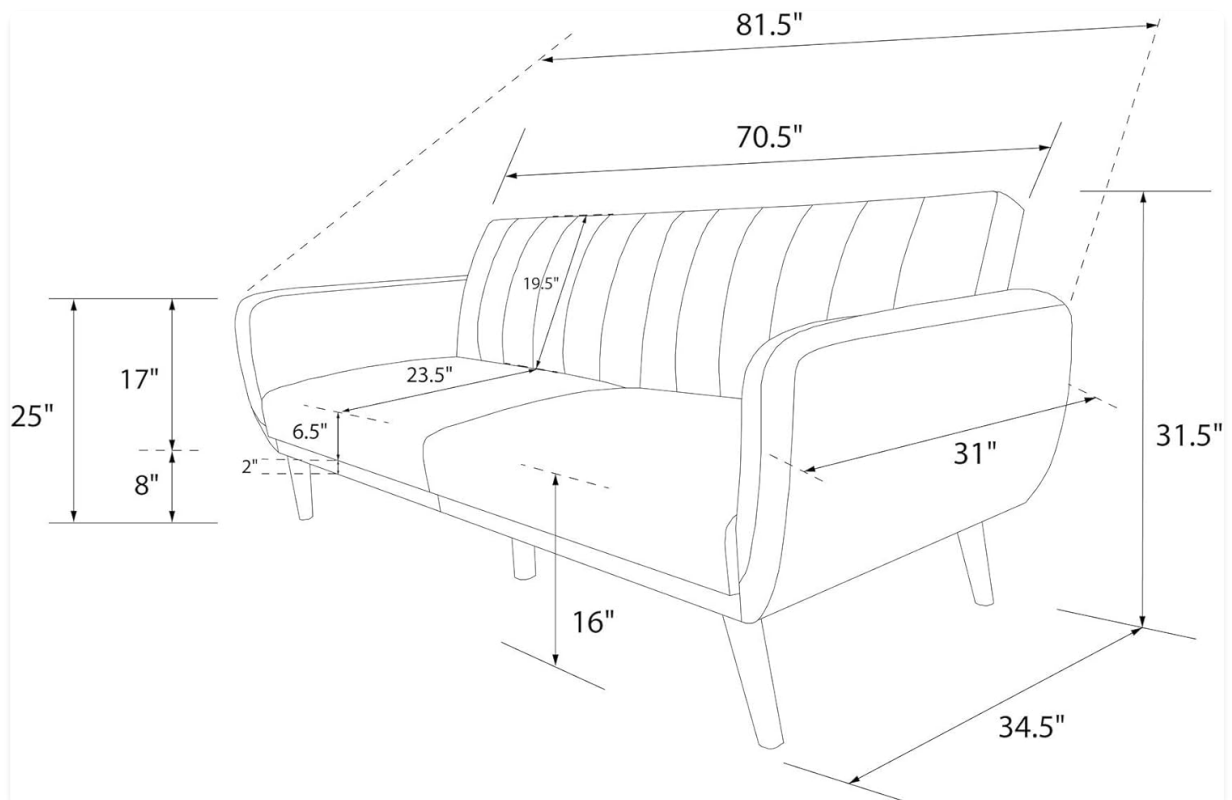


Image: A line drawing providing comprehensive measurements for the futon sofa bed.

**NOV
OGR
ATZ**

FIRMNESS SCALE

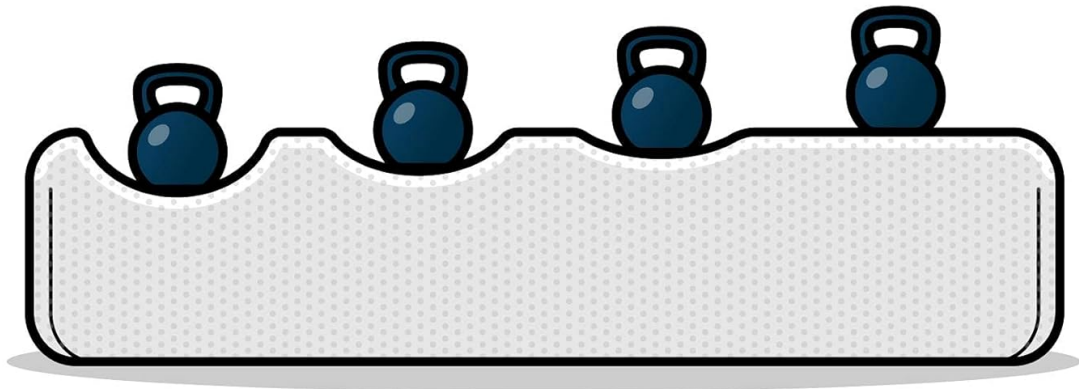


Image: Firmness scale graphic, showing the Novogratz Brittany Futon as having a firm feel.

WARRANTY AND SUPPORT

The Novogratz Brittany Futon Sofa Bed is covered by a **1-year limited warranty** from the date of purchase. This warranty covers manufacturing defects under normal use.

For warranty claims, replacement parts, or customer support, please refer to the contact information provided in your product packaging or visit the official Novogratz website. Customer support is available 7 days a week.

TRUSTED FURNITURE MANUFACTURER FOR OVER 2 DECADES



CUSTOMER SUPPORT
7 DAYS A WEEK



ASSEMBLY VIDEOS



EASY TO READ
INSTRUCTION MANUALS



ONLINE REPLACEMENT
PARTS ORDERING



WORRY-FREE
MANUFACTURER WARRANTY

Image: Graphic detailing Novogratz's commitment as a trusted manufacturer, offering customer support, assembly videos, easy manuals, online parts, and warranty.