



[Manuals.plus](#) /

› [Honeywell Home](#) /

› Honeywell Home T6 Smart Thermostat User Manual - Wired Model

Honeywell Home T6

Honeywell Home T6 Smart Thermostat User Manual - Wired Model

Model: T6 (Y6R910WF6068)

1. INTRODUCTION

The Honeywell Home T6 Smart Thermostat is a wired, Wi-Fi enabled device designed to provide efficient and intelligent control over your home's heating system. This thermostat allows you to manage your home comfort from anywhere using the Honeywell Home app, integrating seamlessly with various smart home platforms. This manual provides essential information for installation, operation, and maintenance of your T6 Smart Thermostat.



Image 1.1: Front view of the Honeywell Home T6 Smart Thermostat display.

2. SAFETY INFORMATION

Please read and understand all safety instructions before installing or operating this device. Failure to follow these instructions may result in electric shock, fire, or damage to the product.

- **Electrical Safety:** Always disconnect power to the heating system at the main circuit breaker before performing any wiring.
- **Qualified Installation:** Installation should be performed by a qualified electrician or heating engineer in accordance with local regulations.
- **Voltage:** Ensure the power supply voltage matches the thermostat's requirements (240 Volts).
- **Avoid Moisture:** Do not install the thermostat in areas with high humidity or where it may come into contact with water.

3. PACKAGE CONTENTS

Verify that all components are present in the package before beginning installation:

- 1 x Honeywell Home T6 Wired Thermostat (White)
- 1 x Receiver Box
- 1 x User Manual
- 1 x Conformity Certificate
- Mounting Accessories (screws, wall plugs)



Image 3.1: The T6 Thermostat unit and the separate Receiver Box.

4. INSTALLATION

4.1 Pre-Installation Steps

1. **Power Off:** Turn off the power to your heating system at the main circuit breaker.
2. **Remove Old Thermostat:** Carefully remove your existing thermostat. Note the wiring connections.
3. **Choose Location:** Select a suitable location for the T6 thermostat, typically on an interior wall, away from direct sunlight, drafts, and heat sources.

4.2 Wiring and Mounting

The T6 thermostat connects to your heating system via a receiver box. Follow the wiring diagram carefully.

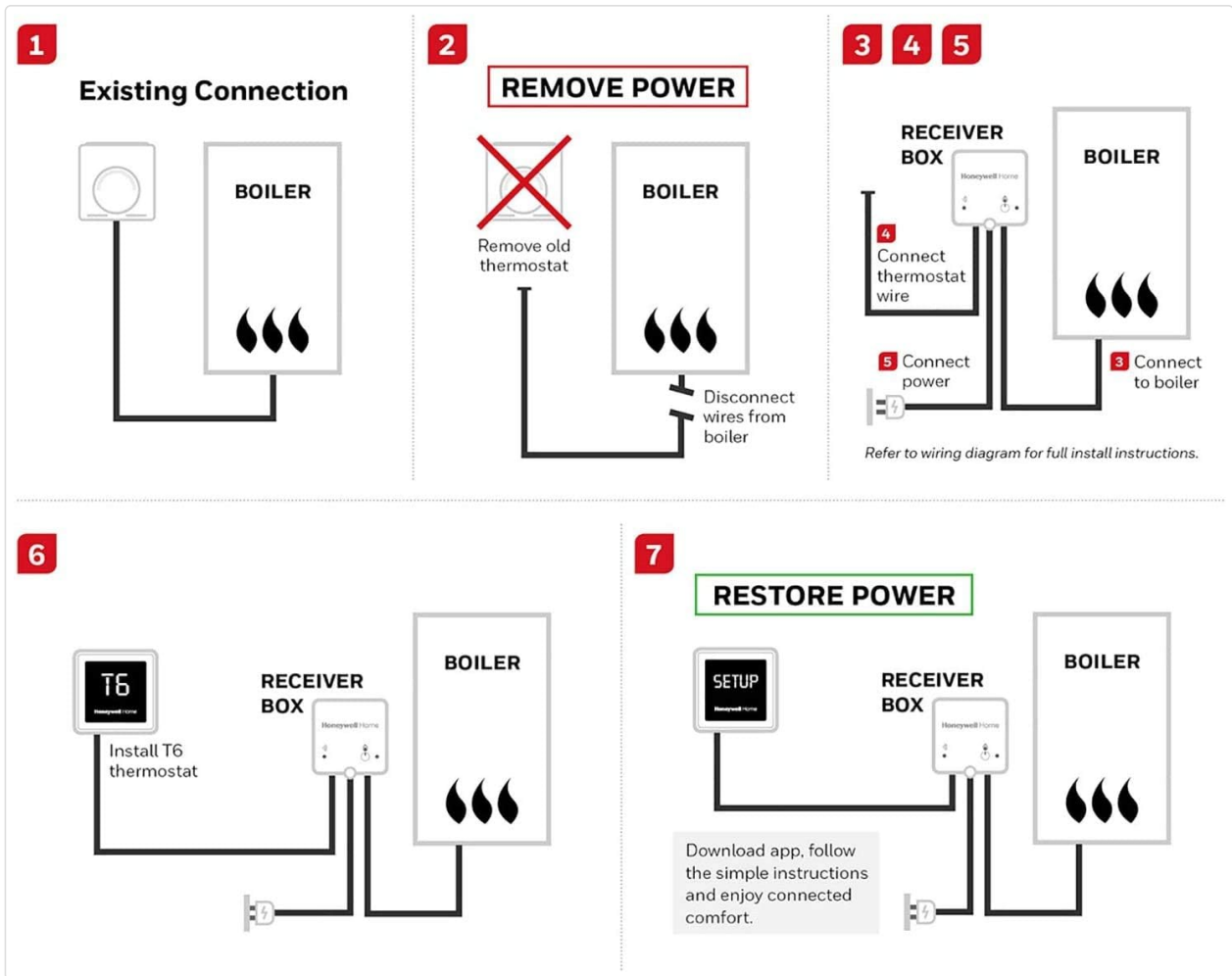


Image 4.1: Detailed wiring and installation steps for the T6 Thermostat system.

1. **Receiver Box Wiring:** Connect the receiver box to your boiler according to the provided wiring diagram. Ensure all connections are secure.
2. **Thermostat Wiring:** Connect the T6 thermostat to the receiver box using the appropriate wires. The T6 is a wired model, requiring a direct connection.
3. **Mounting:** Secure the wall plate of the thermostat to the wall using the provided screws and wall plugs. Attach the T6 thermostat unit to the wall plate.

T6 THERMOSTAT

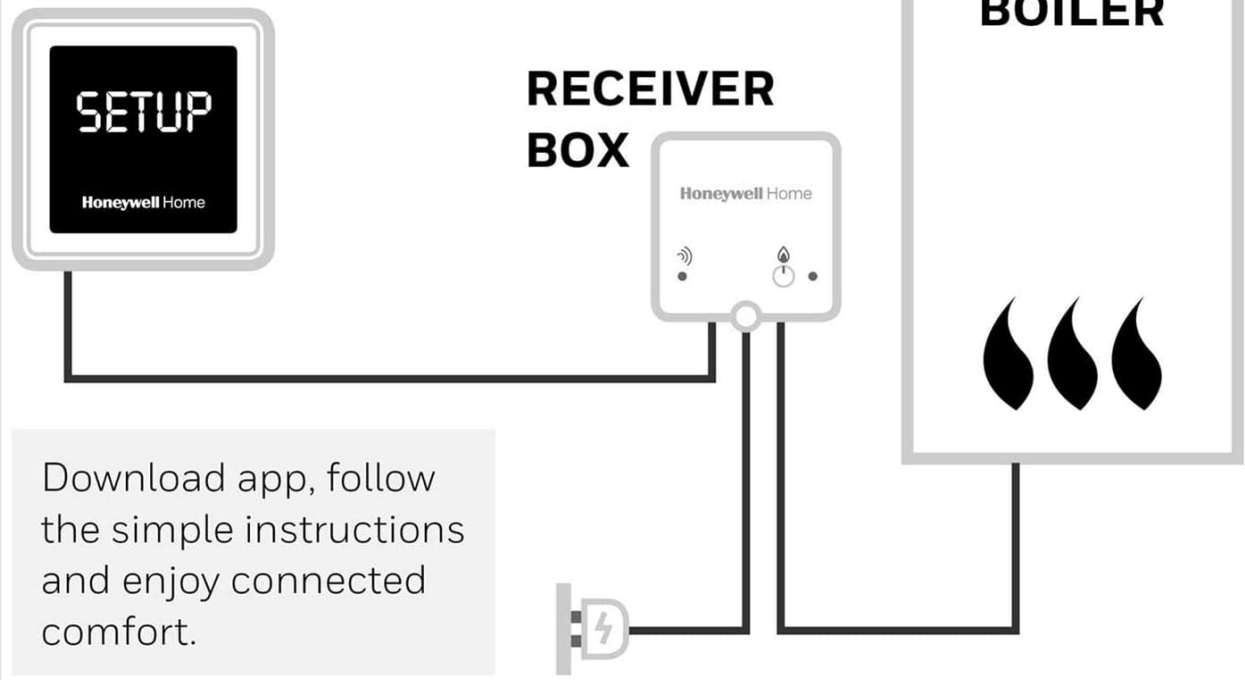


Image 4.2: Simplified overview of the T6 Thermostat, Receiver Box, and Boiler connection.

4.3 Post-Installation

1. **Restore Power:** Once all wiring is complete and secure, restore power to your heating system at the main circuit breaker.
2. **Initial Setup:** The thermostat display will show 'SETUP'. Follow the on-screen prompts to configure basic settings.

5. OPERATING INSTRUCTIONS

5.1 Touchscreen Interface

The T6 thermostat features a clear, backlit touchscreen for easy interaction. The main screen displays the current temperature, target temperature, time, and various icons indicating status and modes.

- **Temperature Adjustment:** Use the + and - buttons on the screen to manually increase or decrease the target temperature.
- **Power Button:** The power icon () allows you to turn the heating system on or off.
- **Menu Button:** The menu icon (≡) provides access to advanced settings and programming options.
- **Schedule Button:** The schedule icon allows you to view and modify your heating schedule.

5.2 Modes of Operation

The T6 thermostat typically operates in the following modes:

- **Heat:** The system will heat to maintain the set target temperature.
- **Off:** The heating system is turned off.
- **Schedule:** The thermostat follows the programmed heating schedule.
- **Temporary Override:** Manually adjusting the temperature while in Schedule mode will temporarily

override the schedule until the next scheduled event.

6. APP CONTROL & SMART HOME INTEGRATION

The Honeywell Home T6 Smart Thermostat can be controlled remotely via the Honeywell Home app and integrated with popular smart home platforms.

6.1 Honeywell Home App

Download the Honeywell Home app from your device's app store. The app allows you to:

- Adjust temperature settings from anywhere.
- Create and modify heating schedules.
- Utilize geofencing to automatically adjust heating based on your location.
- Receive notifications and view system status.

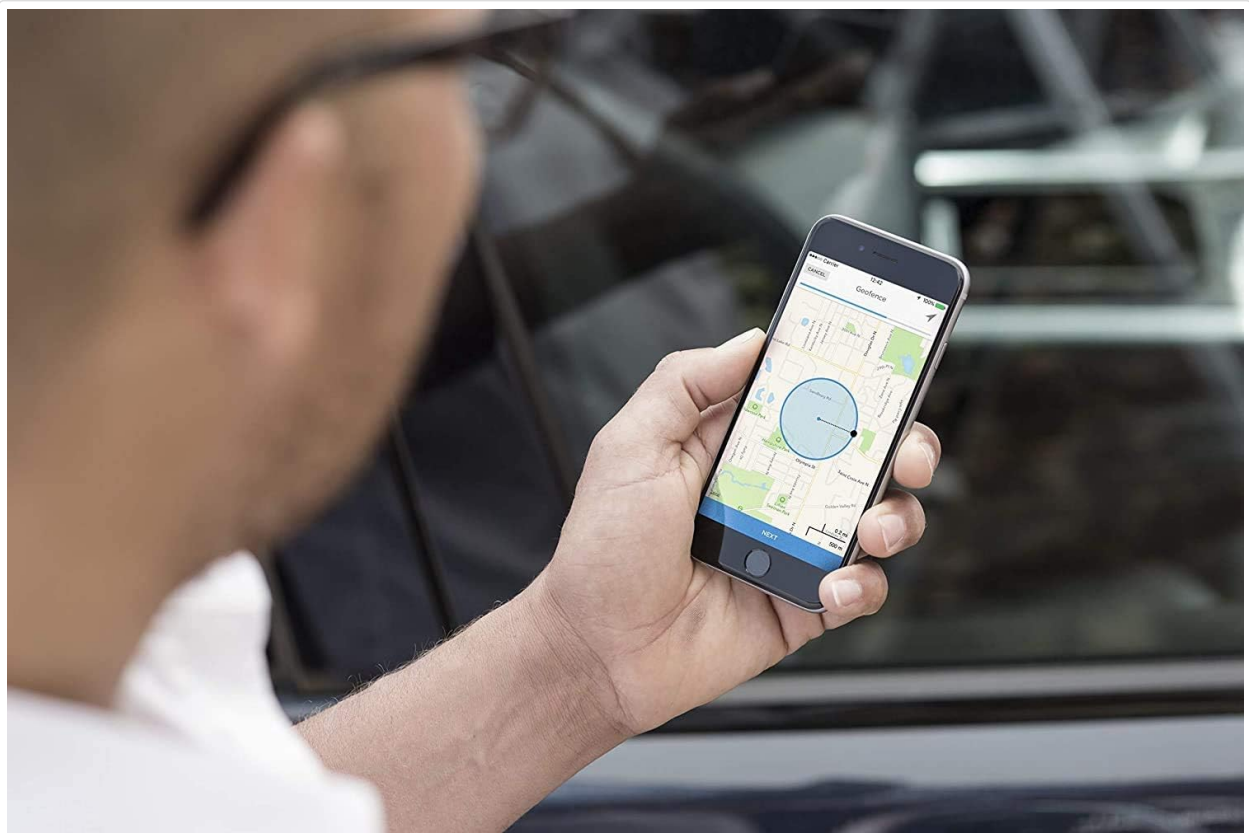


Image 6.1: Using the Honeywell Home app with geofencing feature.

6.2 Smart Home Compatibility

The T6 thermostat is compatible with:

- **Apple HomeKit:** Integrate with your Apple ecosystem for voice control via Siri and automation.
- **Google Home:** Control your thermostat using Google Assistant voice commands.
- **Amazon Alexa:** Use Alexa-enabled devices to manage your heating with voice.
- **IFTTT (If This Then That):** Create custom automations and connections with other smart devices and services.



Image 6.2: The T6 thermostat integrated into a modern home environment.

7. PROGRAMMING SCHEDULES

The T6 thermostat offers flexible scheduling options to match your lifestyle, helping to optimize energy usage.

- **Daily Schedule:** Set up to 6 time periods per day with different target temperatures.
- **5+2 Day Schedule:** Program weekdays and weekends separately.
- **7-Day Schedule:** Customize each day of the week individually.

Schedules can be programmed directly on the thermostat's touchscreen or more conveniently through the Honeywell Home app.

8. MAINTENANCE

The Honeywell Home T6 Smart Thermostat requires minimal maintenance.

- **Cleaning:** Wipe the thermostat's screen and casing with a soft, damp cloth. Do not use abrasive cleaners or solvents.
- **No Batteries:** This wired model does not require batteries.

9. TROUBLESHOOTING

If you encounter issues with your T6 Smart Thermostat, refer to the following common problems and solutions:

Problem	Possible Cause	Solution
Thermostat not powering on	No power to the unit; incorrect wiring.	Check circuit breaker. Verify wiring connections to the receiver box and boiler.
No heating	Thermostat in 'Off' mode; schedule not active; boiler issue.	Ensure thermostat is in 'Heat' or 'Schedule' mode. Check boiler status.
Wi-Fi connection lost	Router issue; Wi-Fi signal strength.	Restart your Wi-Fi router. Check thermostat's Wi-Fi settings and signal strength. Reconnect via the app if necessary.
Inaccurate temperature reading	Thermostat location affected by drafts or heat sources.	Ensure thermostat is not in direct sunlight, near windows, or close to heat-emitting appliances.

For further assistance, consult the full product manual available online or contact Honeywell Home support.

10. SPECIFICATIONS

Feature	Detail
Brand	Honeywell Home
Model Name	T6
Model Number	Y6R910WF6068
Product Dimensions	10.3 x 2.8 x 10.3 cm
Weight	250 g
Color	White
Style	Wired
Power Source	Electric with cord
Voltage	240 Volts
Installation Method	Wall Mount

Feature	Detail
Display Style	Touchscreen
Special Features	Programmable, Backlit
Connectivity Technology	Wi-Fi
Controller Type	Mobile app, Amazon Alexa, Google Assistant, Push Button
Batteries Required	No

11. WARRANTY AND SUPPORT

For warranty information and customer support, please refer to the documentation included with your product or visit the official Honeywell Home website. Keep your proof of purchase for warranty claims.