

OSRAM 67210CW

OSRAM H7 LEDriving HL Gen2 LED Bulb Instruction Manual

Model: 67210CW

1. INTRODUCTION

Thank you for choosing OSRAM H7 LEDriving HL Gen2 LED Bulbs. These high-performance LED bulbs are designed to provide superior brightness and a cool white light for enhanced visibility and a modern aesthetic. This manual provides essential information for the safe installation, operation, and maintenance of your new LED bulbs.

Key Features:

- **Color Temperature:** Produces a cool white light with a color temperature of 6000K.
- **Energy Efficient:** Uses only 14 watts of power for bright illumination.
- **Long Lasting:** LEDs have a lifespan of up to 50,000 hours.
- **Durable Construction:** Made from sturdy materials for reliable operation.

2. SAFETY INFORMATION

Please read all safety instructions carefully before installation and use. Failure to follow these instructions may result in electric shock, injury, or damage to the product or vehicle.

- Always disconnect the vehicle's battery before performing any electrical work.
- Wear appropriate personal protective equipment, such as gloves and eye protection.
- Ensure the bulbs are compatible with your vehicle's electrical system and headlight housing. Refer to your vehicle's owner's manual or consult a qualified technician.
- Do not touch the LED surface directly with bare hands, as oils can reduce performance and lifespan.
- Keep out of reach of children.
- Dispose of old bulbs and packaging responsibly according to local regulations.

3. PACKAGE CONTENTS

Your OSRAM H7 LEDriving HL Gen2 LED Bulb package includes:

- 2 x OSRAM H7 LEDriving HL Gen2 LED Bulbs



LED
PX26d

LED
PX26d
12V/24V | 14W
67210CW

OSRAM

OSRAM

LEDriving® HL
LED high and low beam lamp

**COOL
WHITE**
**6000
KELVIN**

**SUPERIOR
BRIGHTNESS**

H7

**5 YEAR
OSRAM
GUARANTEE***

**DUOPACK
2x
DUOPACK**

BENEFITS

- 100% LED
- EXTRA PERFORMANCE
- EXTRA LIFETIME

TECHNOLOGY COMPARISON

OSRAM LEDriving HL vs Halogen lamp

**CHECK
COMPATIBILITY**



**MADE IN
ITALY**

www.osram.com/ledcheck

**2 YEAR
OSRAM
GUARANTEE***

H7

**5x
DUOPACK**

**MADE IN
ITALY**



**COMPATIBILITY
CHECK**



Image: Product packaging for OSRAM H7 LEDDriving HL Gen2 LED Bulbs, showing two bulbs and product information.

4. SETUP AND INSTALLATION

Installation of these LED bulbs is designed to be straightforward, often featuring a removable housing mount for ease of fitment. However, professional installation is recommended if you are unfamiliar with automotive electrical systems.

1. **Compatibility Check:** Before installation, ensure these H7 LED bulbs are compatible with your vehicle's make, model, and year. Some vehicles may require additional adapters or CANbus decoders to prevent flickering or error messages. You can check compatibility using the official OSRAM tool:
<http://qr.osram.info/ledcheck>
2. **Access Headlight Assembly:** Refer to your vehicle's owner's manual for instructions on how to access the headlight bulb. This may involve removing covers, panels, or even the entire headlight assembly.
3. **Remove Old Bulb:** Carefully disconnect the electrical connector from the existing halogen bulb. Unclip or twist to remove the old bulb from its housing.
4. **Install New LED Bulb:** Insert the OSRAM H7 LED bulb into the headlight housing. Ensure it is seated correctly and securely. The removable housing mount can simplify this step.
5. **Connect Wiring:** Connect the electrical wires of the LED bulb to your vehicle's headlight connector. Ensure a secure and correct polarity connection. Some installations may require a specific adapter.
6. **Test Functionality:** Before reassembling, turn on your vehicle's headlights to ensure both LED bulbs are functioning correctly (low beam and high beam, if applicable). Check for any error messages on your dashboard.
7. **Reassemble:** Once confirmed working, reassemble any covers or components removed during installation.



Image: A single OSRAM H7 LEDriving HL Gen2 LED bulb, showing the bulb unit and its integrated wiring for connection.

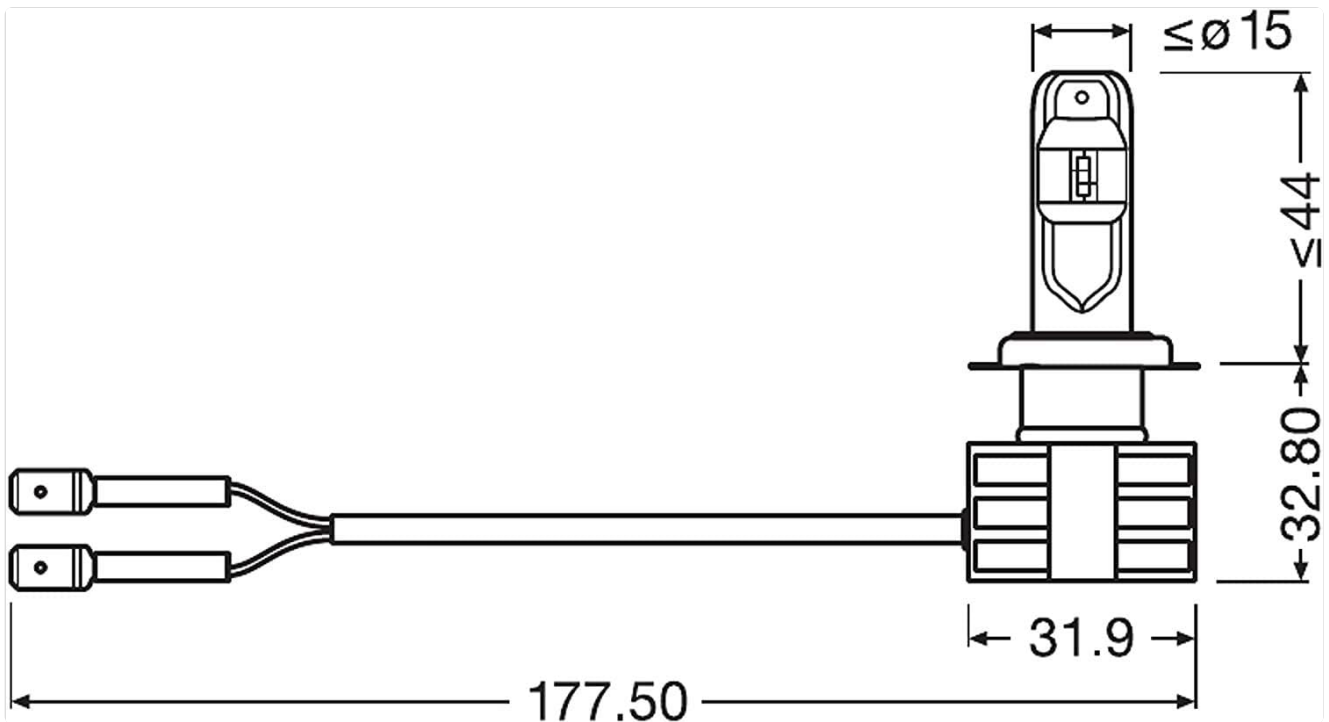


Image: Technical drawing illustrating the dimensions of the OSRAM H7 LEDriving HL Gen2 LED bulb, including overall length (approx. 177.50mm), bulb head length (approx. 44mm), and base measurements.

5. OPERATING INSTRUCTIONS

Once installed, the OSRAM H7 LEDriving HL Gen2 LED bulbs operate like standard headlight bulbs. Simply turn on your vehicle's headlights to activate them.

- The bulbs provide a bright, cool white light at 6000K, significantly improving road visibility compared to standard halogen bulbs.
- Their energy-efficient design consumes only 14 watts, reducing strain on your vehicle's electrical system.



Image: A car demonstrating the difference between a standard halogen headlight (left) and an OSRAM LED headlight (right), highlighting the brighter, whiter light output of the LED.

6. MAINTENANCE

OSRAM LED bulbs are designed for long-term, maintenance-free operation. No regular maintenance is required for the bulbs themselves.

- Keep your headlight lenses clean to ensure maximum light output and visibility.
- Avoid using abrasive cleaners on headlight lenses, as this can cause damage.
- If a bulb needs replacement, always replace it with an identical OSRAM H7 LEDriving HL Gen2 LED bulb to maintain consistent light performance.

7. TROUBLESHOOTING

If you encounter issues with your OSRAM H7 LEDriving HL Gen2 LED bulbs, refer to the following common problems and solutions:

- **Bulb Not Lighting Up:**
 - Check all electrical connections to ensure they are secure and correctly polarized.
 - Verify that the vehicle's headlight fuse is intact.
 - Ensure the bulb is properly seated in the headlight housing.
- **Flickering or Error Messages on Dashboard:**
 - Some modern vehicles have sensitive CANbus systems that may detect LED bulbs as faulty due to their lower power consumption.
 - An additional CANbus decoder (load resistor) may be required. Consult with an automotive electrician or OSRAM support for compatible solutions.

- **Poor Light Pattern or Beam Focus:**

- Ensure the LED bulb is correctly oriented and seated in the headlight housing. Improper seating can lead to scattered light.
- Headlight aiming may be necessary after installation. This should be done by a qualified technician to ensure proper road illumination and to avoid dazzling oncoming drivers.

- **Compatibility Issues:**

- If the bulb physically does not fit or causes persistent issues, re-verify compatibility using the OSRAM compatibility tool or consult a professional. Not all vehicles are compatible with aftermarket LED conversions.

If problems persist, contact OSRAM customer support or a certified automotive technician.

8. SPECIFICATIONS

Specification	Value
Brand	OSRAM
Model Number	67210CW
Bulb Type	H7 LED
Color Temperature	6000 Kelvin (Cool White)
Wattage	14 watts
Voltage	12 Volts
Operating Life	50,000 Hours
Item Package Quantity	2
Auto Part Position	Front

9. WARRANTY AND SUPPORT

OSRAM H7 LEDriving HL Gen2 LED Bulbs come with a **5-year OSRAM Guarantee**, ensuring quality and reliability. For warranty claims or technical support, please retain your proof of purchase and contact OSRAM customer service through their official website or authorized distributors.

For further assistance, visit the official OSRAM website or consult a certified automotive technician.

