



Manuals.plus /

› ICT Billet /

› ICT Billet LS Truck Spacing Tight Fit Sanden 7176 A/C Compressor Bracket Kit Instruction Manual

ICT Billet 551137-LS71-3

ICT Billet LS Truck Spacing Tight Fit Sanden 7176 A/C Compressor Bracket Kit Instruction Manual

Model: 551137-LS71-3 | Brand: ICT Billet

1. PRODUCT OVERVIEW

This manual provides instructions for the installation and maintenance of the ICT Billet LS Truck Spacing Tight Fit Sanden 7176 A/C Compressor Bracket Kit. This kit is designed to mount a Sanden 7176 A/C compressor in a compact position in front of the passenger cylinder head, optimizing space, particularly for turbocharger setups.

The bracket kit is manufactured in Wichita, Kansas, USA, from aerospace-grade billet aluminum, ensuring durability and precise fitment.

2. PACKAGE CONTENTS

Verify that all components listed below are present in your kit before beginning installation. If any parts are missing or damaged, contact ICT Billet customer support.

- Compressor bracket
- Tensioner and tensioner bracket
- Idler pulleys (quantity as required for belt routing)
- Mounting hardware (bolts, washers, nuts, spacers)

551137-LS71-3 TIGHT PROFILE 7176 A/C BRACKET KIT

ICT BILLET

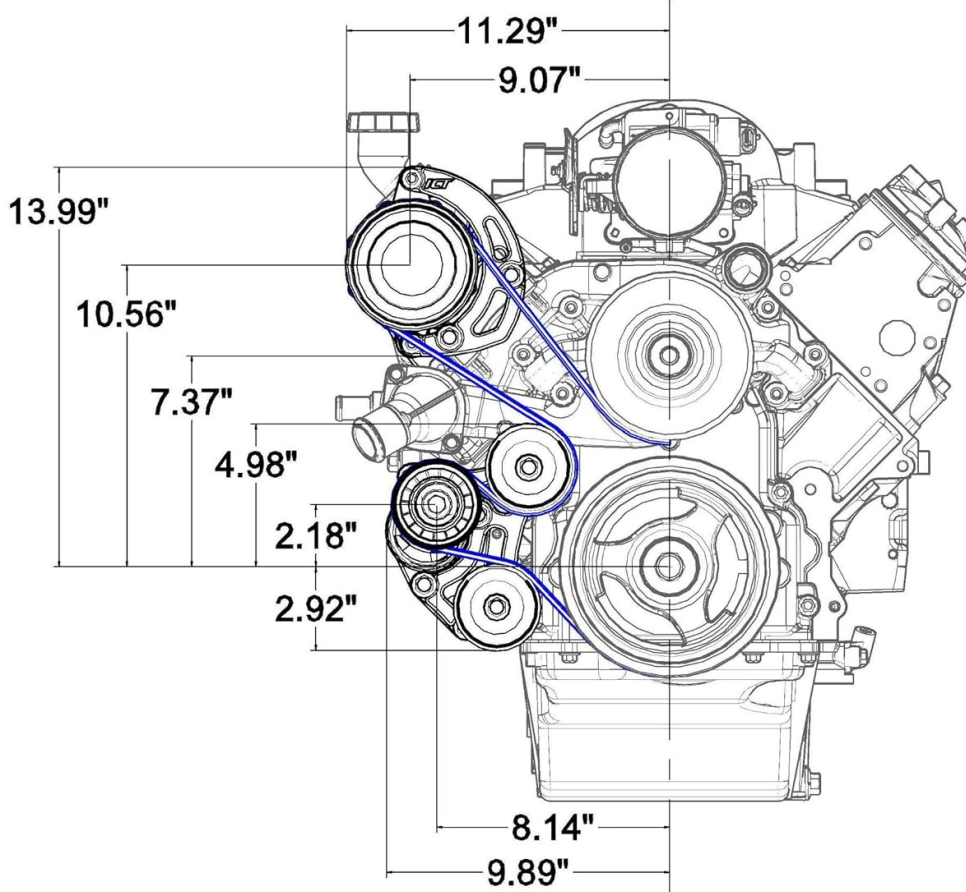


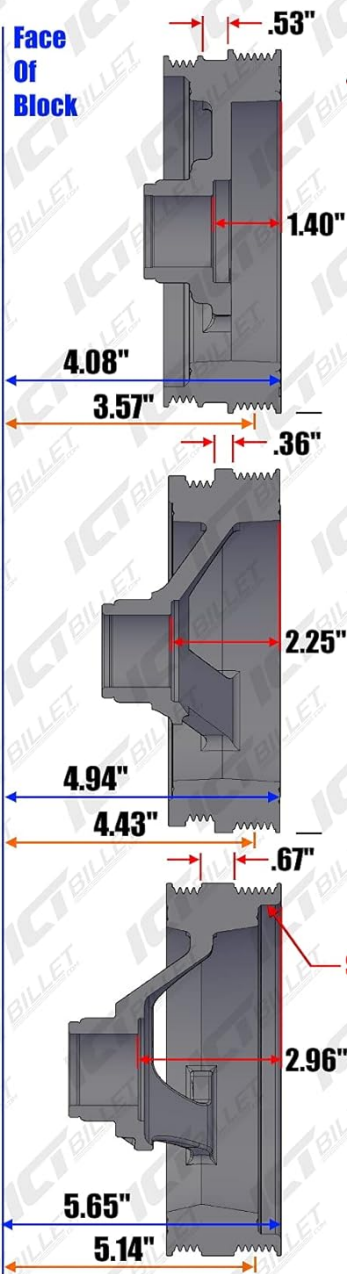
Image: All components included in the ICT Billet Sanden 7176 A/C Compressor Bracket Kit, including brackets, tensioner, idler pulleys, and various mounting hardware.

3. COMPATIBILITY

This bracket kit is specifically designed for use with:

- Sanden 7176 A/C compressors only. **Note: This kit is not compatible with factory-style LS vehicle A/C compressors.**
- Truck/SUV (or LS3/L99 Camaro) crank pulleys (ICT Billet part number BAL300 recommended).
- All truck-spacing water pumps (Gen 3 & 4 truck, LS3/L99 Camaro, and LS1 Camaro with 551690-71 spacers).

LS Crank Spacing Guide



Part #'s Ending In

-1

Corvette/CTS-V/SS/G8



Part #'s Ending In

-2

98-02 Camaro/GTO



Part #'s Ending In

-3

Truck/SUV/2010-Up Camaro

ICT BILLET
COM

Image: Diagram illustrating different LS crank pulley spacing types (Corvette/CTS-V/SS/G8, 98-02 Camaro/GTO, and Truck/SUV/2010-Up Camaro) with their respective dimensions and part number endings.

4. SETUP AND INSTALLATION

Professional installation is recommended. Ensure the engine is cool and the battery is disconnected before beginning any work. Refer to a service manual for your specific vehicle for additional guidance on component removal and reinstallation.

1. **Prepare the Engine:** Ensure adequate access to the passenger side cylinder head and crankshaft pulley area.
2. **Install Compressor Bracket:** Mount the main compressor bracket to the designated points on the passenger cylinder head using the provided hardware. Ensure all bolts are torqued to manufacturer specifications.
3. **Mount Sanden 7176 Compressor:** Attach the Sanden 7176 A/C compressor to the newly installed bracket using the appropriate hardware.
4. **Install Tensioner and Idler Pulleys:** Secure the tensioner bracket and idler pulleys according to the belt

routing diagram.

5. **Belt Routing:** Route the serpentine belt around the crankshaft pulley, water pump, alternator (if applicable), A/C compressor, and idler pulleys. Ensure the belt is correctly seated in all grooves.
6. **Tension Adjustment:** Use the automatic tensioner to apply the correct tension to the serpentine belt. Verify proper belt alignment.
7. **Final Checks:** Double-check all fasteners for tightness. Reconnect the battery.



Image: Technical diagram showing the installed ICT Billet A/C bracket kit on an LS engine, including key dimensions for fitment and belt routing.

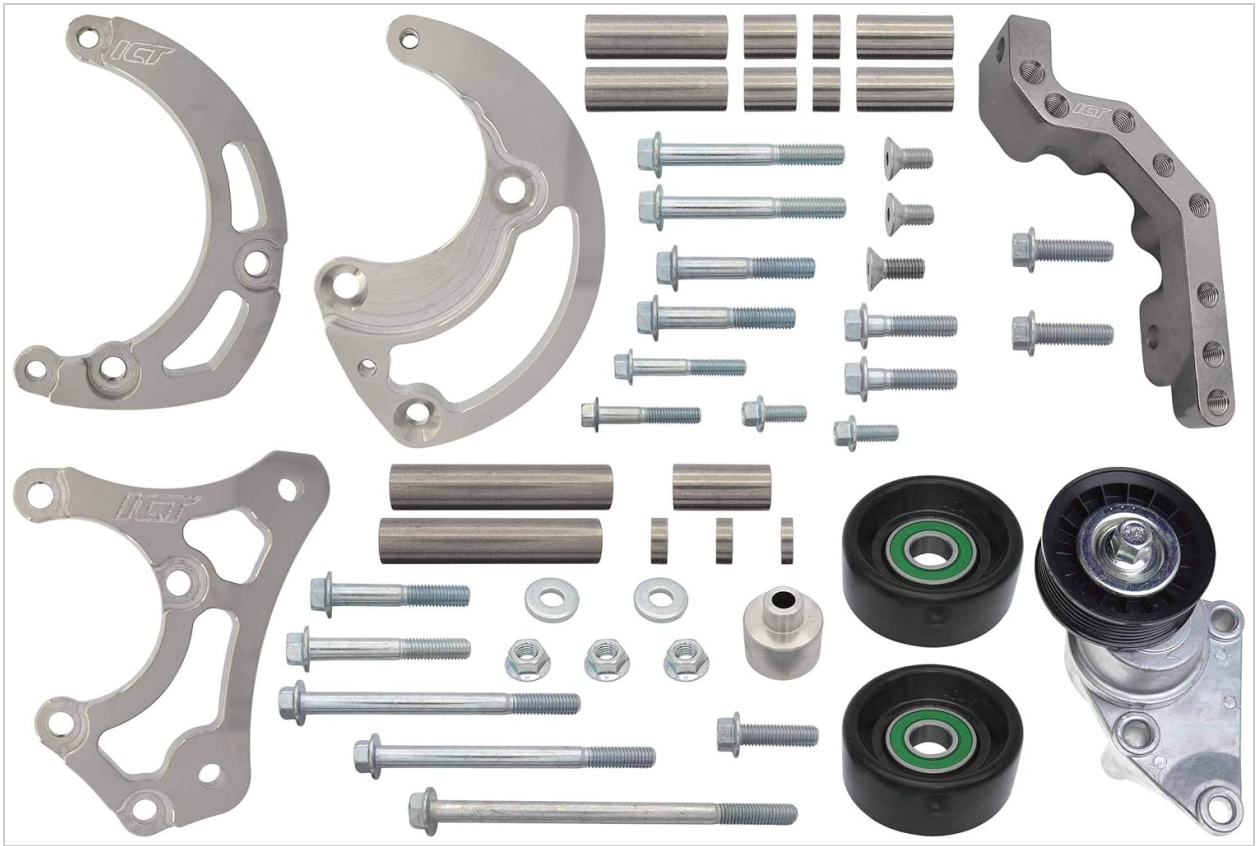


Image: Close-up photograph of the Sanden 7176 A/C compressor securely mounted to the engine using the ICT Billet bracket, showing the tight fitment.

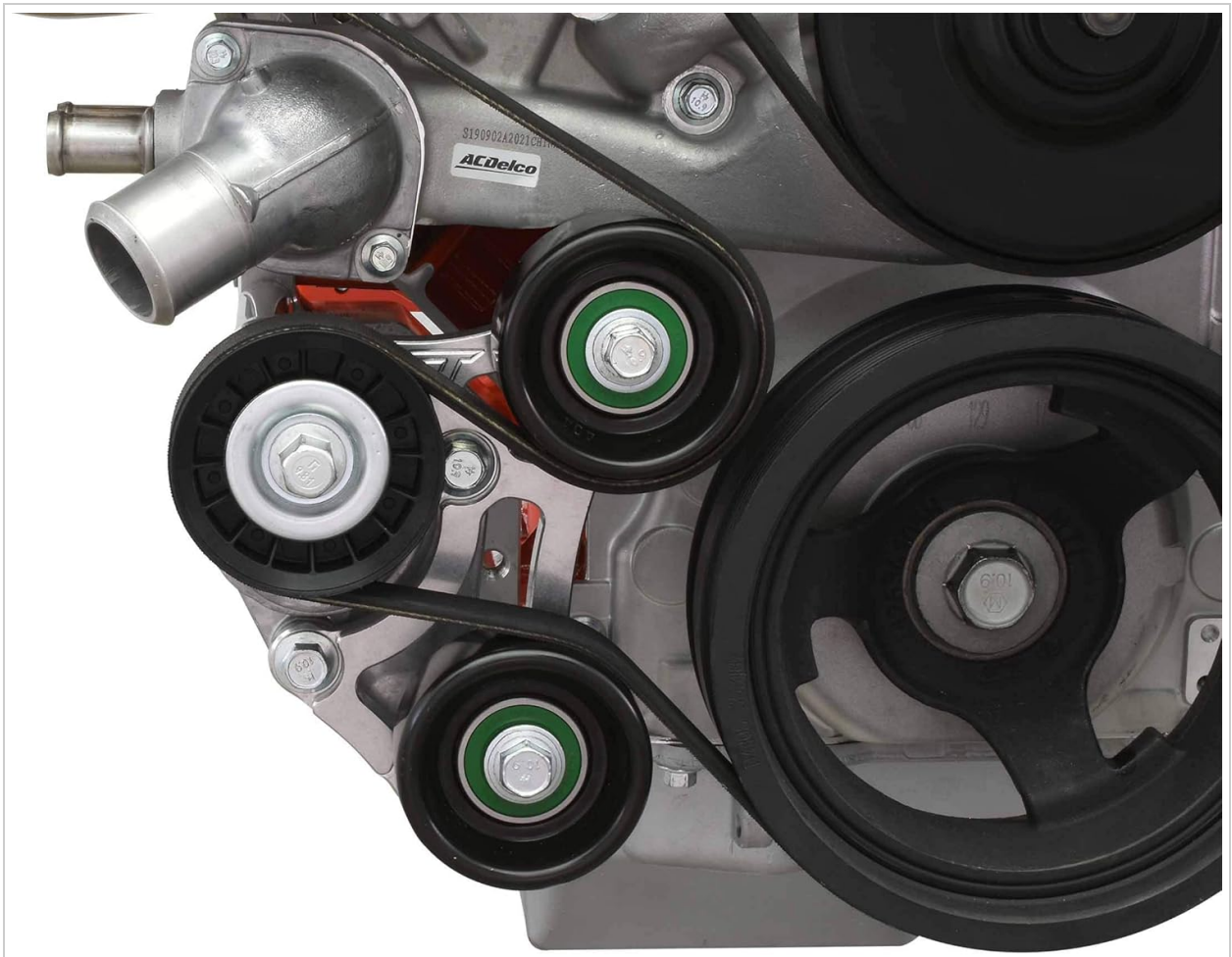


Image: Detailed view of the idler pulleys and automatic tensioner integrated into the ICT Billet bracket system, demonstrating proper belt alignment.

5. OPERATION

Once installed, the bracket kit facilitates the proper operation of your Sanden 7176 A/C compressor within the engine's serpentine belt system. Ensure the A/C system is properly charged and free of leaks by a qualified technician after installation of the compressor.

6. MAINTENANCE

The ICT Billet A/C compressor bracket kit is designed for long-term durability with minimal maintenance. Periodic checks are recommended:

- **Visual Inspection:** Periodically inspect the bracket, tensioner, and pulleys for any signs of wear, damage, or corrosion.
- **Fastener Torque:** Check all mounting bolts for proper torque, especially after the first few hundred miles of operation. Retorque if necessary according to vehicle or component specifications.
- **Belt Condition:** Inspect the serpentine belt for cracks, fraying, or excessive wear. Replace the belt if necessary.
- **Pulley Bearings:** Listen for any unusual noises from the idler or tensioner pulleys, which may indicate worn bearings.

7. TROUBLESHOOTING

If you encounter issues after installation, consider the following:

- **Belt Squeal/Slippage:**
 - Verify correct belt routing and tension.
 - Check for proper alignment of all pulleys.
 - Inspect the belt for wear or glazing.
- **Unusual Noises:**
 - Ensure all fasteners are tight.
 - Check for clearance issues between the bracket/compressor and other engine components.
 - Inspect pulley bearings for excessive play or roughness.
- **A/C System Malfunction:**
 - This bracket kit only mounts the compressor; it does not affect the internal operation of the A/C system. Consult an automotive A/C specialist for system-related issues.

8. SPECIFICATIONS

Model Number	551137-LS71-3
Material	Aerospace Grade Billet Aluminum
Compatibility	Sanden 7176 A/C Compressor, Truck/SUV Crank Pulley, Truck Spacing Water Pumps
Includes	Compressor bracket, tensioner, tensioner bracket, idler pulleys, mounting hardware
Manufacturing Location	Wichita, Kansas, USA
Item Weight	3.68 kg
Package Dimensions	26.5 x 26.1 x 11.9 cm

9. WARRANTY AND SUPPORT

For warranty information or technical support, please contact ICT Billet directly through their official website or customer service channels. Keep your purchase receipt and model number handy for faster service.

Manufacturer: ICT Billet

Website: www.ictbillet.com