

[Manuals.plus](#) /

> [Y.D.F](#) /

> Y.D.F 3.5mm Audio Selector Switcher User Manual

## Y.D.F OM-088

# Y.D.F 3.5mm Audio Selector Switcher User Manual

Model: OM-088 | Brand: Y.D.F

## 1. INTRODUCTION

This manual provides detailed instructions for the setup, operation, and maintenance of your Y.D.F 3.5mm Audio Selector Switcher. This passive device allows for flexible audio routing between multiple sources and outputs, enhancing your audio experience without requiring external power.



Figure 1: Y.D.F. 3.5mm Audio Selector Switcher with included cables.

## 2. PRODUCT FEATURES

- **Bi-directional Functionality:** Supports both 2-IN-1-OUT and 1-IN-2-OUT configurations.
- **Passive Design:** No external power supply required, ensuring plug-and-play convenience.
- **One-Key Mute:** Dedicated button for instant audio muting.
- **Volume Control:** Integrated rotary knob for precise audio level adjustment.
- **High Fidelity:** Designed to maintain sound quality without degradation.

## 3. DEVICE LAYOUT

Familiarize yourself with the controls and ports of the audio selector:

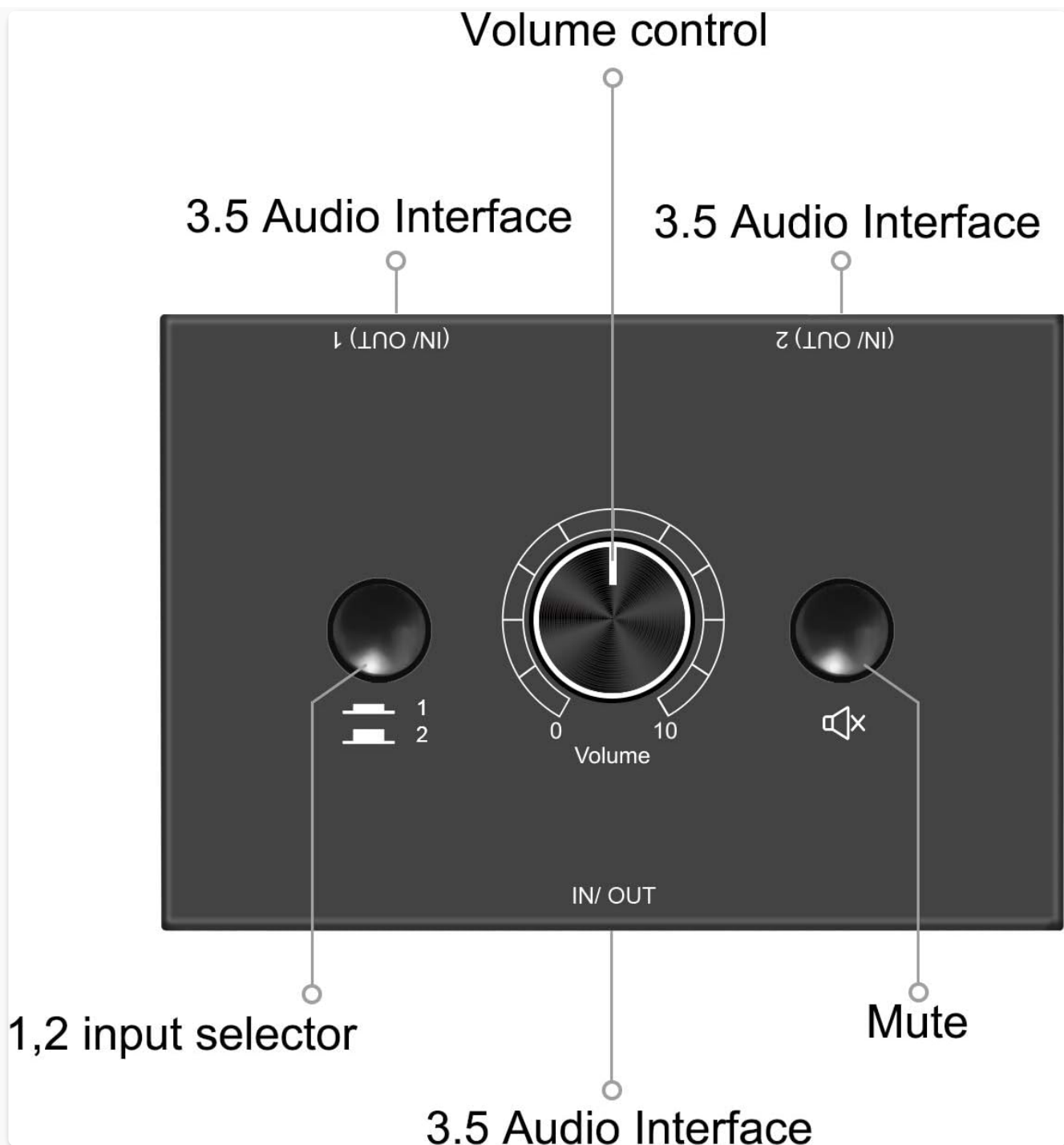


Figure 2: Top view of the audio selector highlighting the Volume Control, 1/2 Input Selector, and Mute button.

- **Volume Control Knob:** Adjusts the output volume.
- **1/2 Selector Switch:** Toggles between input/output 1 and input/output 2.
- **Mute Button:** Instantly mutes the audio output.
- **(IN/OUT) 1 Port:** 3.5mm audio jack for connection 1.
- **(IN/OUT) 2 Port:** 3.5mm audio jack for connection 2.
- **IN/OUT Port:** Main 3.5mm audio jack for common connection.

## 4. SETUP AND CONNECTION

The audio selector supports two primary modes of operation:

#### 4.1. 2-IN-1-OUT Configuration (Audio Switcher)

Connect two audio sources (e.g., PC, smartphone) to the (IN/OUT) 1 and (IN/OUT) 2 ports. Connect your single audio output device (e.g., speakers, headphones) to the main IN/OUT port. Use the 1/2 selector switch to choose which of the two sources is routed to your output device.

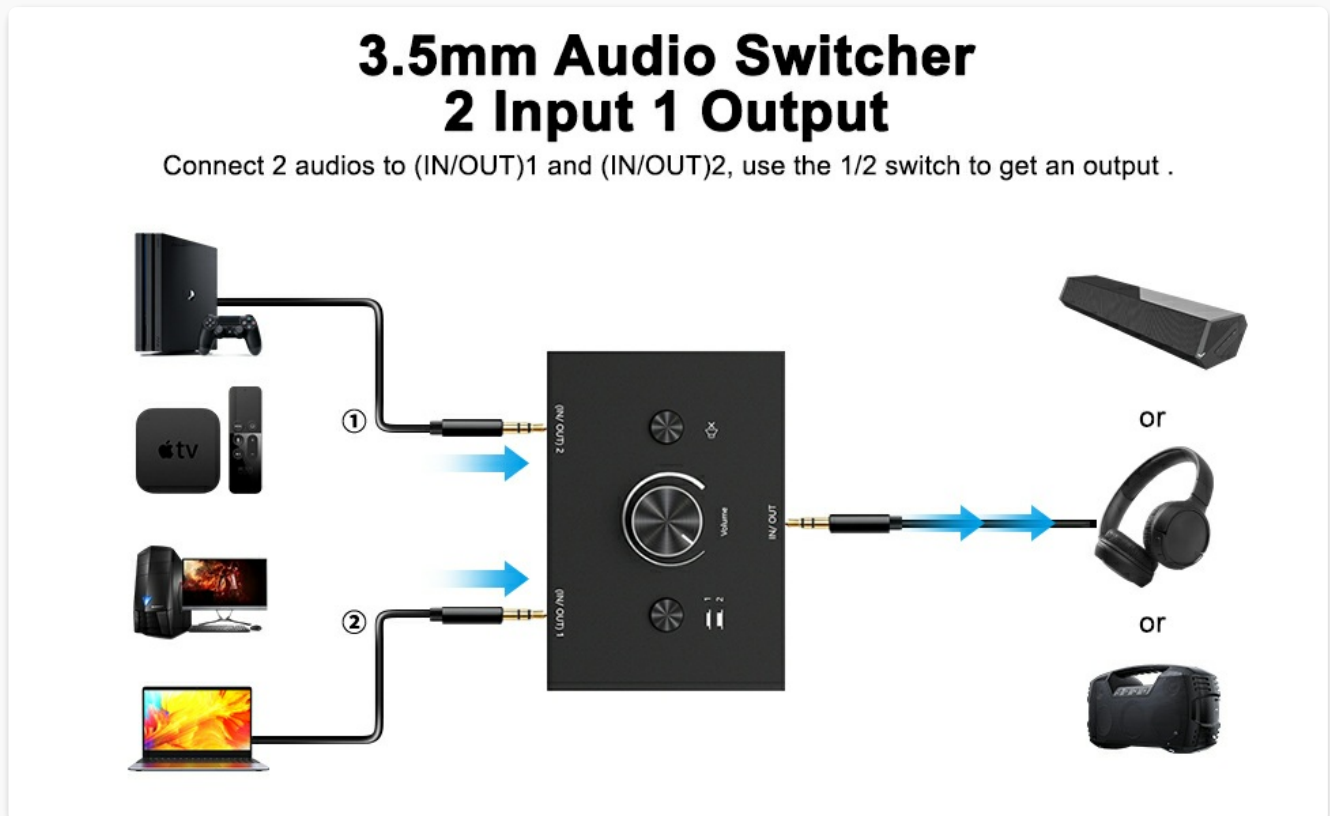


Figure 3: Connection diagram for 2-IN-1-OUT (Audio Switcher) mode.

#### 4.2. 1-IN-2-OUT Configuration (Audio Splitter)

Connect a single audio source (e.g., PC, TV) to the main IN/OUT port. Connect two audio output devices (e.g., speakers, headphones) to the (IN/OUT) 1 and (IN/OUT) 2 ports. Use the 1/2 selector switch to choose which of the two output devices receives the audio from your source. **Note: Only one output device will work at a time in this configuration.**

# 3.5mm Audio Splitter 1 Input 2 Output

Connect an audio source to IN/OUT, select an audio output between (IN/OUT)1 and (IN/OUT)2;  
(The output can be switched between speakers and headphones)

**ONLY ONE SPEAKER Work at a time!**

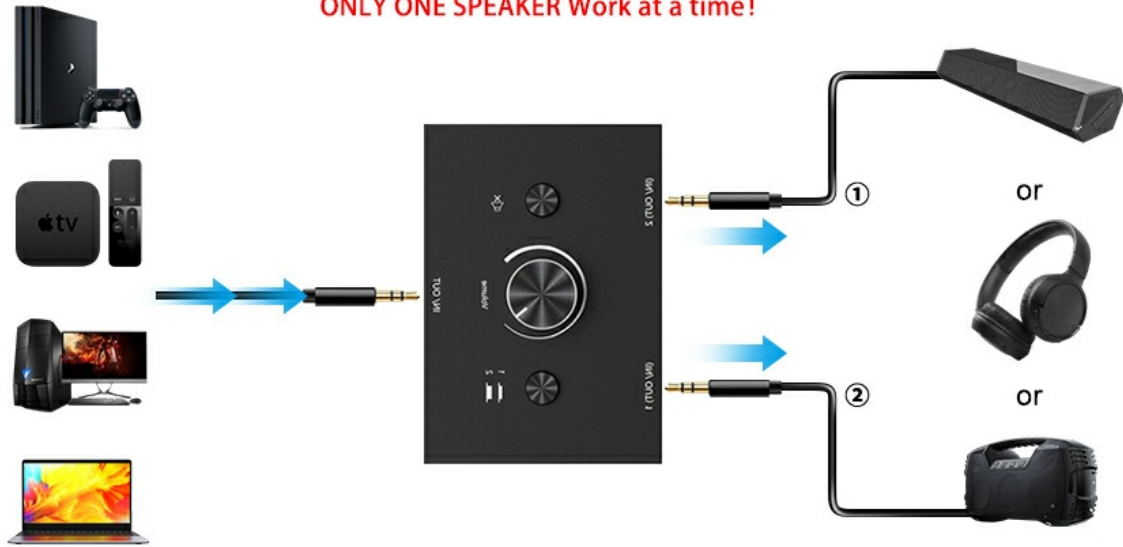


Figure 4: Connection diagram for 1-IN-2-OUT (Audio Splitter) mode.

## 4.3. General Connection Diagram

## Product Device link Diagram



Figure 5: General device link diagram illustrating flexible connection options.

## 5. OPERATING INSTRUCTIONS

### 5.1. Selecting Input/Output

Use the 1/2 selector switch to toggle between the connected devices on ports (IN/OUT) 1 and (IN/OUT) 2. Pressing the switch up selects port 1, and pressing it down selects port 2.



Figure 6: Demonstrating the use of the 1/2 selector switch.

## 5.2. Volume Adjustment

Rotate the central knob clockwise to increase volume and counter-clockwise to decrease volume. The knob has markings from 0 to 10 for reference.

## 5.3. Mute Function

Press the mute button (speaker icon) to instantly silence the audio output. Press it again to unmute.



Figure 7: Using the one-key mute function.

## 6. IMPORTANT COMPATIBILITY NOTE

This device is designed to work exclusively with **3-pole 3.5mm audio cables (TRS)**. It is not compatible with 4-pole 3.5mm cables (TRRS) which typically include a microphone channel. Using 4-pole cables may result in improper functionality or no audio output.

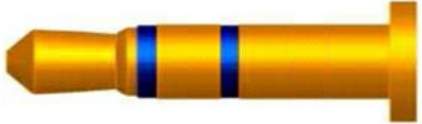
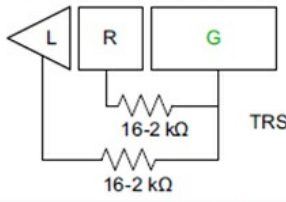
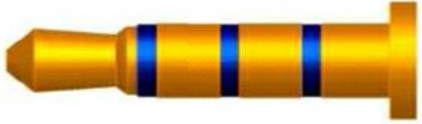
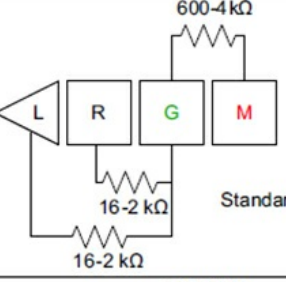
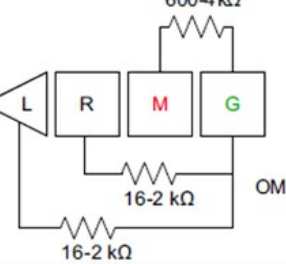
PHYSICAL CONNECTOR	INTERNAL IMPEDANCE NETWORK	PIN NAME	CONFIGURATION
 <p>Tip Ring Sleeve</p> <p>3-pole TRS</p>	 <p>Standard</p>	Tip	Audio Left
		Ring	Audio Right
 <p>Tip Ring1 Ring2 Sleeve</p> <p>4-pole TRRS</p>	 <p>Standard</p>	Sleeve	Ground
		Tip	Audio Left
		Ring1	Audio Right
	 <p>OMTP</p>	Ring2	Ground
		Sleeve	Microphone
		Tip	Audio Left
		Ring1	Audio Right
		Ring2	Microphone
		Sleeve	Ground

Figure 8: Comparison of 3-pole TRS and 4-pole TRRS connectors.

## 7. TROUBLESHOOTING

### • No Sound:

- Ensure all 3.5mm cables are securely connected.
- Verify that the correct input/output is selected using the 1/2 switch.
- Check if the mute button is engaged.
- Confirm that the volume knob is turned up.
- Ensure you are using 3-pole 3.5mm audio cables.

### • Distorted Sound:

- Check cable connections for looseness or damage.
- Reduce the volume from the source device or the selector.
- Test with different audio cables to rule out cable issues.

- **Only one output device works in 1-IN-2-OUT mode:** This is normal operation. The selector is designed to switch between outputs, not to split the signal simultaneously to both.

## 8. CARE AND MAINTENANCE

To ensure the longevity and optimal performance of your audio selector:

- Keep the device in a dry environment, away from moisture and extreme temperatures.
- Clean the exterior with a soft, dry cloth. Avoid using harsh chemicals or abrasive cleaners.
- Do not disassemble the device. Refer to professional service if repairs are needed.

## 9. SPECIFICATIONS

Feature	Detail
Product Dimensions	2 x 3 x 0.65 inches
Item Weight	1 ounces
Item Model Number	OM-088
Brand	Y.D.F
Connector Type	3.5mm Female
Compatible Devices	MP3, MP4, PC, Smartphone, iPod (with 3-pole 3.5mm audio output)
Cable Type	Auxiliary (3-pole 3.5mm TRS)
Power Requirement	None (Passive)

## 10. WARRANTY AND SUPPORT

Y.D.F products are designed for reliability and performance. For specific warranty information, please refer to the product packaging or the retailer's return policy at the time of purchase. For further assistance or technical support, please visit the official Y.D.F store or contact customer service through your purchase platform.

Visit the [Y.D.F Store on Amazon](#).

