

BRUNNER 0102995N Trouper 2.0 Air

Brunner Trouper 2.0 Air Inflatable Tent Instruction Manual

1. INTRODUCTION

Thank you for choosing the Brunner Trouper 2.0 Air Inflatable Tent. This manual provides essential information for the safe and efficient setup, operation, and maintenance of your new tent. Please read these instructions carefully before use and retain them for future reference.

The Trouper 2.0 Air is a spacious and versatile inflatable tent designed for attachment to minivans and buses, offering comfortable accommodation for up to 4 people. Its innovative air tube system ensures quick and easy setup.

2. SAFETY INSTRUCTIONS

- **Fire Safety:** Keep all flame and heat sources away from the tent fabric. The tent is not fireproof.
- **Ventilation:** Ensure adequate ventilation, especially when cooking or using heating appliances inside the tent, to prevent carbon monoxide buildup.
- **Weather Conditions:** In strong winds or heavy rain, ensure the tent is securely pegged and guyed. Do not use the tent in extreme weather conditions that may compromise its stability.
- **Site Selection:** Choose a level site free from sharp objects. Avoid pitching under trees where falling branches could cause damage.
- **Inflation Pressure:** Do not over-inflate the air tubes. Use the included pump and follow inflation guidelines to prevent damage.

3. PACKAGE CONTENTS

Before setting up, please verify that all components are present:

- Brunner Trouper 2.0 Air Tent
- Double-action pump with overpressure valve
- Guy ropes
- Pegs

- Storage bags
- Mounting accessories for vehicle attachment
- Pole (for canopy or structural support)

4. SETUP INSTRUCTIONS

Follow these steps for a quick and easy setup of your inflatable tent:

1. **Unpack and Unfold:** Lay the tent out on a clean, level surface. Ensure the inflation valves are accessible and closed.
2. **Positioning:** Position the tent next to your minivan or bus, ensuring the connection tunnel aligns with the vehicle's side or rear. The tent is designed for vehicle connection heights between 180-220 cm.
3. **Inflation:** Using the included double-action pump, inflate the main air tubes. The Crossbeam technology ensures structural integrity. Inflate until the tubes are firm but not rigid. The pump's overpressure valve helps prevent over-inflation.
4. **Secure the Tent:** Once inflated, secure the tent to the ground using the provided pegs and guy ropes. Adjust the tension of the guy ropes to ensure stability.
5. **Attach to Vehicle:** Use the mounting accessories to securely attach the tent's connection tunnel to your vehicle. Ensure a snug fit to prevent drafts and water ingress.
6. **Final Adjustments:** Check all connections, pegs, and guy ropes. Ensure the tent is taut and stable.



Image 4.1: Diagram illustrating the tent's overall dimensions (310x260x230 cm), 8 m² floor area, 150D Oxford Polyester material, and air tube system.

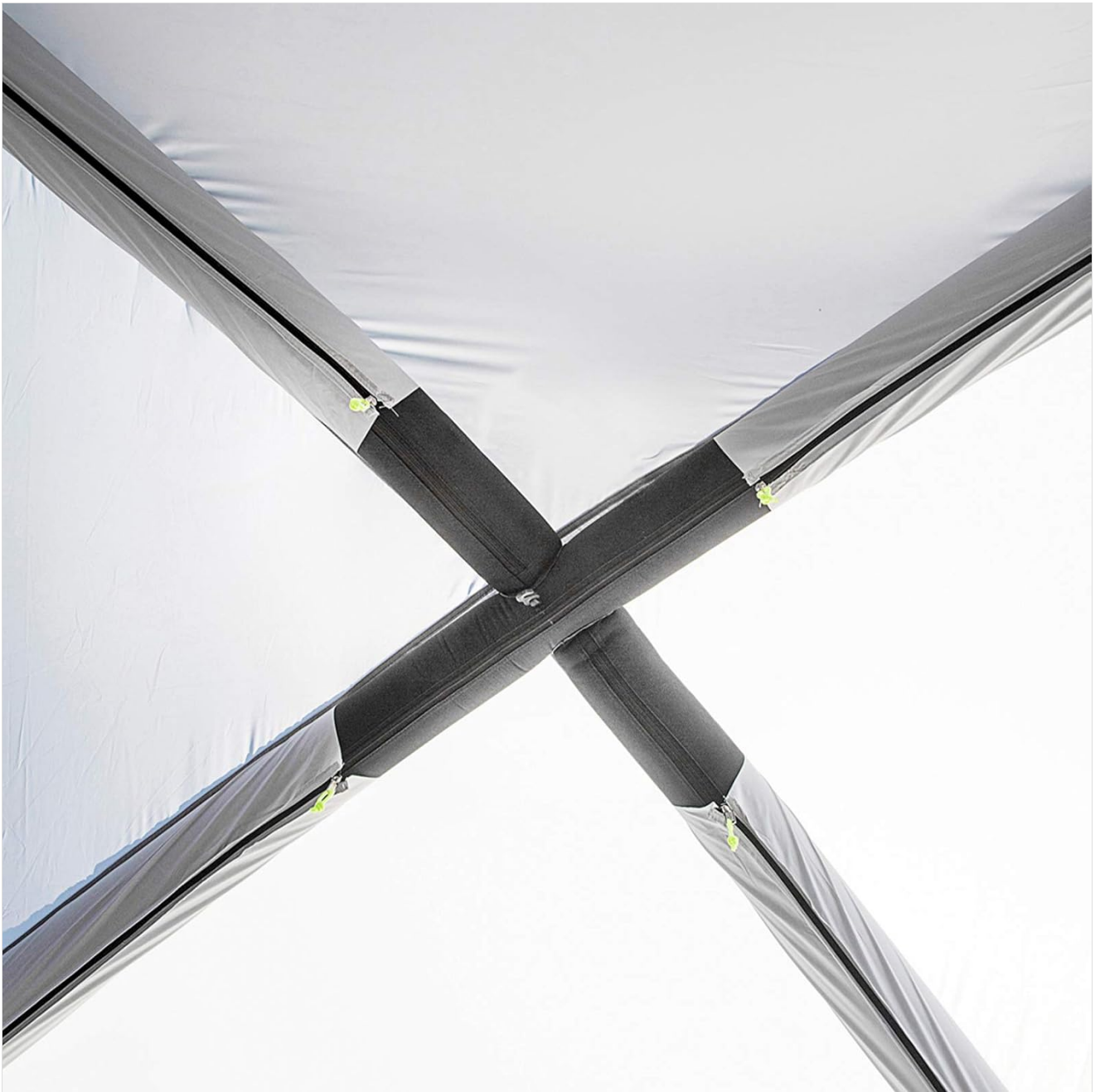
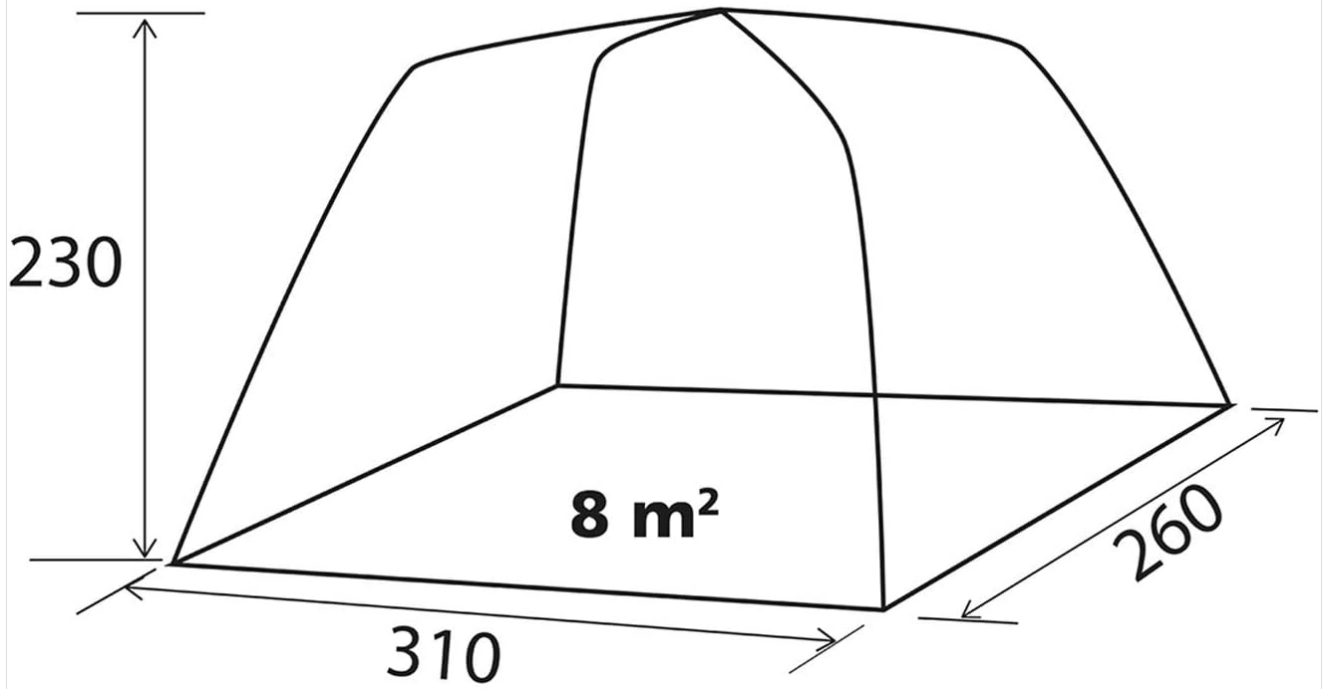


Image 4.2: Diagram indicating the recommended vehicle connection height range of 180-220 cm for optimal fit.



Double Connection 5/7



150D Oxford Polyester



230 x 135 cm



AIRTUBE



310 x 260 x H230 cm



20,5 kg



80 x Ø 35 cm

Image 4.3: The Brunner Troupier 2.0 Air tent fully set up and connected to a van, showcasing its spacious design and outdoor environment.

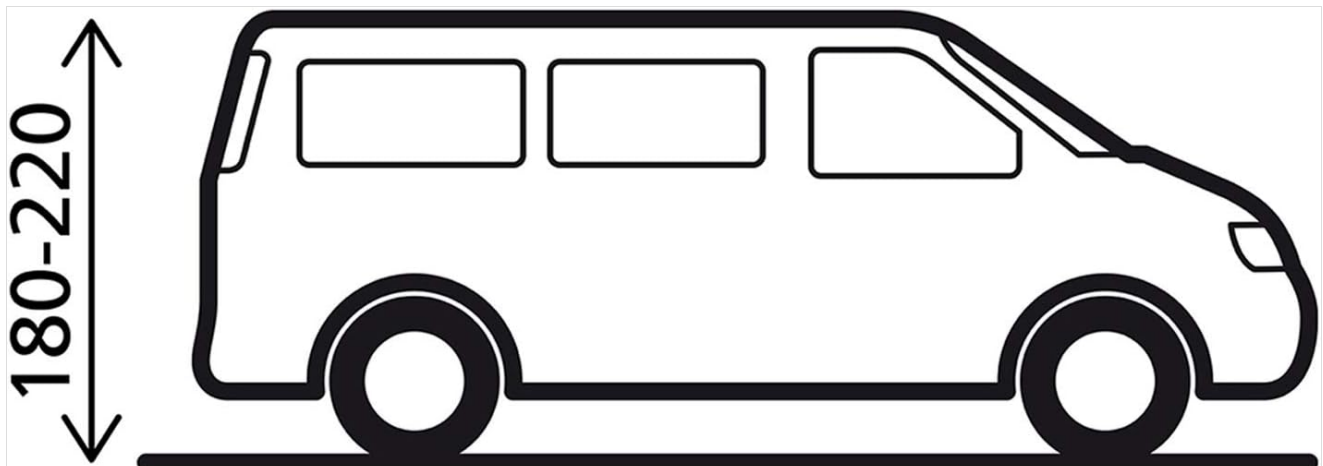


Image 4.4: A detailed view of the tent's inflatable air tube system, highlighting the robust construction.



Image 4.5: An interior shot of the tent, illustrating the integrated crossbeam air tube technology that provides stability and structure.

5. OPERATING INSTRUCTIONS

The Trouper 2.0 Air tent is designed for ease of use and comfort:

- **Entrance Doors:** The tent features multiple entrance doors, each equipped with a mosquito net to provide ventilation while keeping insects out.
- **Ventilation:** Utilize the additional roof ventilation points to maintain airflow and reduce condensation inside the tent.
- **Detachment:** If you need to drive your vehicle away, the tent can be easily detached and left freestanding. Ensure all openings are securely closed to protect the interior.

6. MAINTENANCE

Proper maintenance will extend the life of your tent:

- **Cleaning:** Clean the tent fabric with mild soap and lukewarm water. Do not use harsh detergents or abrasive cleaners. Rinse thoroughly and allow to air dry completely before packing.
- **Drying:** Always ensure the tent is completely dry before storing to prevent mildew and fabric degradation.
- **Storage:** Store the tent in a cool, dry place, away from direct sunlight and pests. Use the provided storage bags.
- **Air Tubes:** Periodically check the air tubes for any signs of wear or damage. Small punctures can often be repaired with a suitable repair kit (not included).

7. TROUBLESHOOTING

- **Tent Not Inflating:**
 - Check that all inflation valves are securely closed before pumping.
 - Ensure the pump hose is correctly attached to the valve.
 - Inspect air tubes for any visible damage or leaks.
- **Tent Losing Air:**
 - Check all valves to ensure they are fully closed.
 - Locate any punctures in the air tubes or fabric. Use soapy water to identify small leaks.
 - Repair small punctures with a specialized repair patch.
- **Tent Instability:**
 - Ensure all air tubes are adequately inflated.
 - Verify that all pegs are firmly in the ground and guy ropes are properly tensioned.
 - Check the vehicle attachment for a secure connection.

8. SPECIFICATIONS

Feature	Detail
Brand	BRUNNER
Model	0102995N Trouper 2.0 Air
Tent Dimensions (L x W x H)	310 cm x 260 cm x 230 cm
Floor Area	8 m ²
Vehicle Connection Height	180 - 220 cm
Material	150D Oxford Polyester (main body), 68D Oxford Polyester (other parts)
Water Resistance	Water-repellent treatment (specific technology unknown)
Item Weight	20.5 Kilograms
Occupancy	4 people

Seasons	Multiple Seasons
Included Components	Double-action pump with overpressure valve, Crossbeam technology, additional roof ventilation, pole, guy ropes, pegs, bags, mounting accessories

9. WARRANTY AND SUPPORT

This product is covered by a manufacturer's warranty. Please refer to the warranty card included with your purchase for specific terms and conditions. For technical support or spare parts, please contact your retailer or the BRUNNER customer service department.