

Manuals+

[Q & A](#) | [Deep Search](#) | [Upload](#)

Manuals.plus /

> [bespeco](#) /

> Bespeco VM13ZUM Combined Volume and Expression Pedal User Manual

bespeco VM13ZUM

Bespeco VM13ZUM Combined Volume and Expression Pedal

Model: VM13ZUM | Brand: Bespeco

1. INTRODUCTION

The Bespeco VM13ZUM is a versatile combined volume and expression pedal designed for guitar and other musical instruments. It features a durable ABS construction with a shielded metal base and non-slip feet, ensuring stability during use. This manual provides essential information for the proper setup, operation, and maintenance of your VM13ZUM pedal.

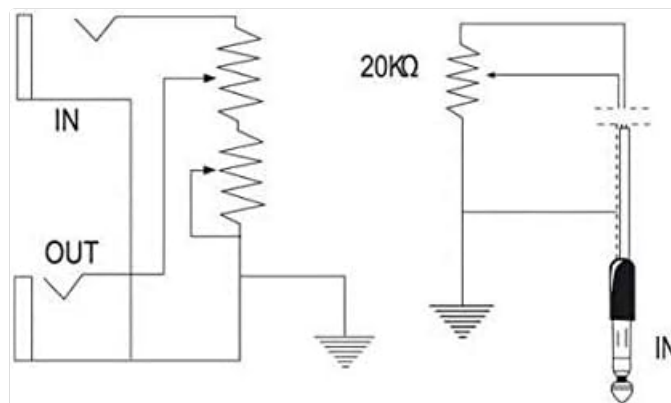


Image 1.1: The Bespeco VM13ZUM Combined Volume and Expression Pedal. This image shows the overall design and robust construction of the pedal, highlighting its compact form factor and durable build suitable for stage and studio use.

2. SAFETY INFORMATION

- Do not expose the pedal to extreme temperatures, humidity, or direct sunlight.
- Avoid dropping the pedal or subjecting it to strong impacts.
- Do not attempt to disassemble or modify the pedal. Refer all servicing to qualified personnel.
- Use only the specified power supply (9V DC, 300mA) to prevent damage.
- Keep the pedal away from water or other liquids.

3. PACKAGE CONTENTS

Please check that all the following items are included in your package:

- Bespeco VM13ZUM Combined Volume and Expression Pedal
- 2-meter cable with 6.3 mm stereo jack plug (for expression function)
- User Manual (this document)

4. PRODUCT OVERVIEW

The VM13ZUM pedal offers dual functionality as both a volume control and an expression pedal. Its robust design is suitable for various musical applications.

Key Features:

- Input: 6.3 mm mono jack socket
- Output: 6.3 mm mono jack socket
- Expression: 6.3 mm stereo jack input/output
- Includes a 2-meter cable with a 6.3 mm stereo jack plug for expression control
- Impedance: 100 Kohm
- Dimensions: 86 (L) x 198 (P) x 60 (H) mm

5. SETUP

5.1 Connecting as a Volume Pedal

1. Connect your instrument (e.g., guitar) to the **IN** jack of the VM13ZUM pedal using a standard 6.3 mm mono instrument cable.
2. Connect the **OUT** jack of the VM13ZUM pedal to your amplifier or other effects unit using another standard 6.3 mm mono instrument cable.

5.2 Connecting as an Expression Pedal

1. Connect the **Expression** jack of the VM13ZUM pedal to the expression pedal input of your compatible effects unit, keyboard, or synthesizer using the supplied 2-meter 6.3 mm stereo jack cable.
2. Ensure your device is configured to accept expression pedal input for the desired parameter (e.g., wah, delay time, modulation depth).

5.3 Power Requirements

The VM13ZUM pedal operates on 9 Volts DC with a current draw of 300 Milliampere. It is powered via a wired electrical connection. Ensure you use a compatible power supply (not included) to avoid damage to the unit.



Image 5.1: Internal circuit diagram for the Bespeco VM13ZUM pedal. This diagram illustrates the wiring for the volume and expression functions, showing the input, output, and ground connections, along with the 20K Ω potentiometer for expression control.

6. OPERATING INSTRUCTIONS

6.1 Volume Pedal Operation

When used as a volume pedal, press the pedal forward to increase the volume and pull it back to decrease the volume. The pedal's sweep controls the signal level. Note that the pedal's mechanical design may result in a non-linear volume response, with a more pronounced change in the middle of the pedal's travel. The minimum volume may not reach a complete silence (0%), potentially resting at approximately 20% of the signal level even at its lowest setting.

6.2 Expression Pedal Operation

When connected to a compatible device as an expression pedal, the pedal's movement will control the assigned parameter. The range of control is determined by the settings on your external device. Adjust the pedal's position to achieve the desired effect. The control knob on the pedal allows for fine-tuning of the expression range or minimum value, depending on the specific implementation.

7. MAINTENANCE

- Clean the pedal regularly with a soft, dry cloth. Do not use abrasive cleaners or solvents.
- Ensure all cables are securely connected before and during use.
- Store the pedal in a dry, cool place when not in use.

8. TROUBLESHOOTING

8.1 No Sound or Intermittent Signal

- Check all cable connections. Ensure they are fully inserted and not damaged.
- Verify that your instrument and amplifier are working correctly.
- Ensure the power supply meets the pedal's specifications (9V DC, 300mA).

8.2 Non-Linear Volume/Expression Response

- The VM13ZUM pedal's mechanical design may inherently produce a non-linear response, with a more rapid change in the middle of the pedal's travel. This is a characteristic of the product.
- For expression functions, check the settings on your external device to see if the response curve can be adjusted.

8.3 Pedal Does Not Reach Full Volume or Minimum Volume

- The pedal is designed with a minimum volume that may not reach complete silence (approximately 20% of the signal). This is an intended characteristic.
- Ensure the control knob (if present and adjustable for minimum volume) is set correctly.

9. SPECIFICATIONS

Brand	bespeco
Model Name	VM13ZUM

Style	Classic
Color	Black
Voltage	9 Volts
Amperage	300 Milliampere
Audio Output Effects	Volume
Control Type	Knob
Power Source	Corded Electric
Signal Format	Analog
Item Dimensions (L x W x H)	10 x 24 x 7 cm
Connector Type	Jack
Manufacturer Part Number	VM13ZUM
UPC	799804318502

10. WARRANTY INFORMATION

The Bespeco VM13ZUM pedal comes with a **2-year product warranty** from the date of purchase. This warranty covers manufacturing defects under normal use. Please retain your proof of purchase for warranty claims. The warranty does not cover damage caused by misuse, accidents, unauthorized modifications, or normal wear and tear.

11. SUPPORT

For further assistance, technical support, or warranty inquiries, please contact Bespeco customer service through their official website or your local distributor. Please have your product model number (VM13ZUM) and proof of purchase ready when contacting support.