

HUANUO HNTS3S

HUANUO Triple Monitor Stand Instruction Manual

Model: HNTS3S

Brand: HUANUO

PRODUCT OVERVIEW

The HUANUO Triple Monitor Stand (Model HNTS3S) is designed to enhance your workspace by elevating three computer monitors, freeing up valuable desk space. This full-motion articulating gas spring monitor mount is compatible with three flat or curved LCD screens ranging from 17 to 32 inches in size. Each arm can support up to 17.6 lbs and is compatible with VESA mounting holes of 75x75mm and 100x100mm.

The stand offers extensive adjustability, allowing you to swivel, tilt, and rotate your monitors to achieve optimal viewing angles and positions. This flexibility helps to increase comfort and efficiency during work, enabling you to set your monitors in either landscape or portrait mode. The design also incorporates cable management features to keep your desk tidy and organized.



This image displays the HUANUO Triple Monitor Stand in silver, supporting three monitors. The stand features articulating gas spring arms for flexible positioning.

SETUP AND INSTALLATION

Before beginning installation, ensure your monitors meet the compatibility requirements: 17-32 inch size, VESA 75x75mm or 100x100mm mounting patterns, and a weight of no more than 17.6 lbs per arm. Please note that ultrawide screens are not supported.

Supports 32" Screens



Monitor Size
17"–32"



Max Load
17.6 lbs per arm



VESA Patterns
75x75 & 100x100mm



This diagram illustrates the compatibility of the monitor stand, supporting three monitors from 17 to 32 inches, with a maximum load of 17.6 lbs per arm, and compatible with VESA patterns 75x75mm and 100x100mm.

Mounting Options

The stand offers two versatile mounting options to suit your desk setup:

- **C-Clamp:** Securely attaches to the edge of your desk. Compatible with desk thicknesses between 0.39 inches and 3.15 inches.
- **Grommet Hole:** Utilizes an existing hole in your desk. Compatible with desk thicknesses between 0.39 inches and 2.36 inches, and hole diameters between 0.39 inches and 0.8 inches.

Two Ways to Mount

01

C-Clamp

Desk Thickness

0.39"–3.15"



02

Grommet Hole:

Desk Thickness

0.39"–2.36"

Hole Diameter

0.39"–0.8"



This image shows the two primary methods for mounting the stand: a C-clamp for desks between 0.39 and 3.15 inches thick, and a grommet mount for desks between 0.39 and 2.36 inches thick with a hole diameter of 0.39 to 0.8 inches.

Installation Steps

1. **Assemble the Base:** Depending on your chosen method (C-clamp or grommet), assemble the base components as per the included instructions.
2. **Attach Base to Desk:** Securely fasten the assembled base to your desk. Ensure it is tightened sufficiently to provide a stable foundation for the monitors.
3. **Assemble Main Pole and Arms:** Attach the main pole to the base. Then, slide the arm assembly onto the main pole.
4. **Attach VESA Plates to Monitors:** Secure the VESA mounting plates to the back of each monitor using the provided screws. Ensure the screws are tightened firmly.
5. **Mount Monitors:** Carefully slide each monitor (with attached VESA plate) onto the corresponding arm.
6. **Adjust Gas Spring Tension:** The gas springs may require adjustment to properly support the weight of your monitors. Use the provided tool to increase or decrease tension until the monitors hold their position smoothly.
7. **Cable Management:** Route all monitor cables through the integrated cable management channels on the arms and pole to maintain a clean and organized workspace.

Installation Video

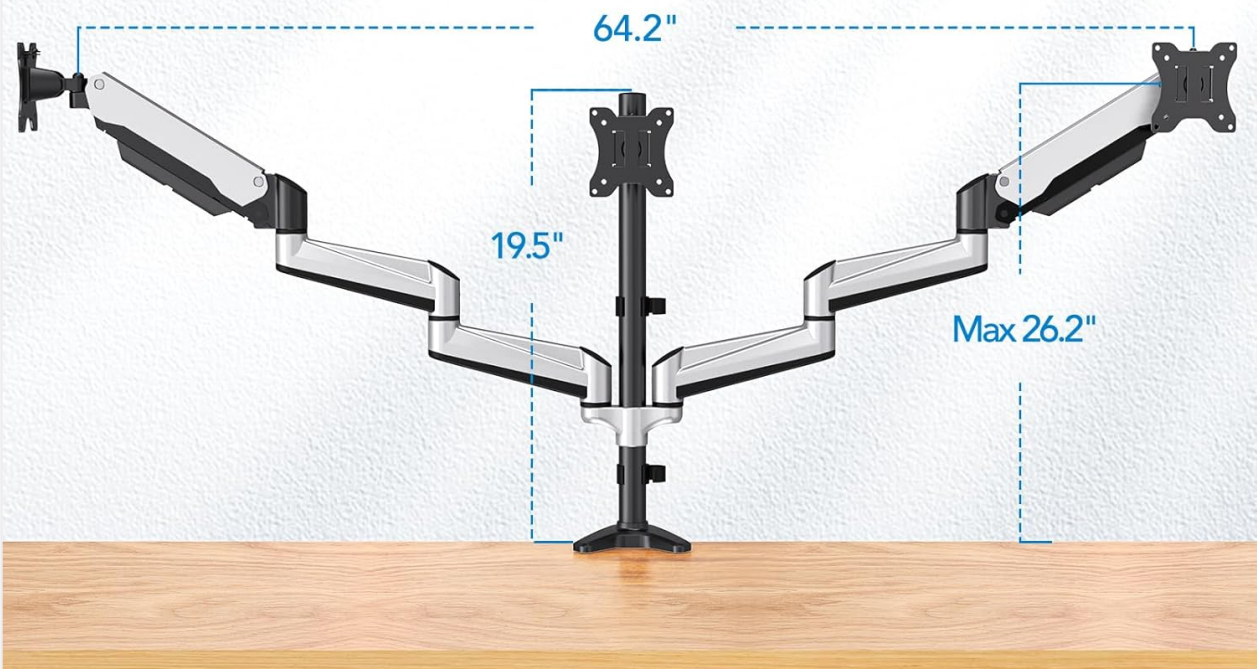
Your browser does not support the video tag.

This video provides a visual guide to the installation process for the HUANUO Triple Monitor Mount, demonstrating how to set up the stand and attach monitors.

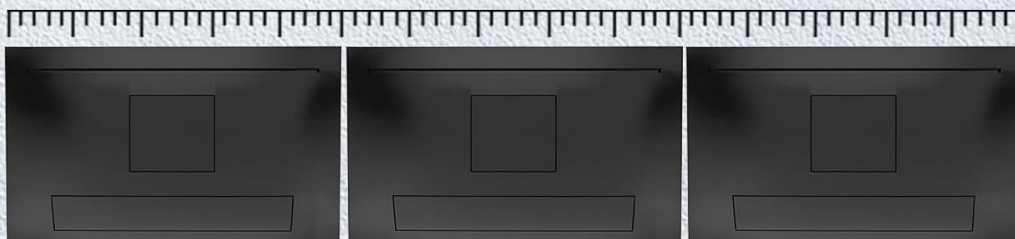
OPERATION AND ADJUSTMENTS

The HUANUO Triple Monitor Stand offers full articulation for customized viewing. Once installed, you can easily adjust your monitors to your preferred ergonomic position.

Mount 3 Large Monitors



Supports 85" Combined Monitor Width



This diagram illustrates the flexible adjustments possible with the monitor arms, allowing for 360-degree rotation, tilting from +85 to -90 degrees, and swiveling +/-90 degrees for optimal viewing.

Adjusting Your Monitors

- **Height Adjustment:** The monitors can be moved up and down along the central pole to achieve your desired eye-level height.
- **Tilt:** Each monitor can be tilted from +85 degrees (upwards) to -90 degrees (downwards) to reduce glare and optimize viewing comfort.
- **Swivel:** Monitors can be swiveled +/-90 degrees horizontally, allowing you to share your screen with others or adjust for different tasks.
- **Rotation:** For landscape or portrait viewing, monitors can be rotated a full 360 degrees.

Cable Management

To maintain a clean and organized workspace, utilize the integrated cable management system. Cables can be routed along the arms and down the central pole, keeping them out of sight and preventing clutter.

Innovative Triangular Base Design

Stable support your screens



This image highlights the integrated cable management system within the monitor arms, designed to route and conceal cables for a clean and organized workspace.

MAINTENANCE

To ensure the longevity and optimal performance of your HUANUO Triple Monitor Stand, regular maintenance is recommended:

- **Cleaning:** Periodically wipe down the stand with a soft, damp cloth to remove dust and debris. Avoid using harsh chemicals or abrasive cleaners.
- **Check Connections:** Every few months, inspect all screws and connections to ensure they remain tight. Re-tighten if necessary to maintain stability.
- **Gas Spring Adjustment:** If monitors begin to sag or are difficult to adjust, re-evaluate the gas spring tension and adjust as needed using the provided tool.

TROUBLESHOOTING

If you encounter any issues with your monitor stand, consider the following common troubleshooting steps:

- **Monitors are sagging or not holding position:** This is typically due to insufficient gas spring tension. Refer to the