



[Manuals.plus](#) /

› [SUPERJARE](#) /

› SUPERJARE 47 Inches Computer Desk User Manual

SUPERJARE B08CTTPHGW

SUPERJARE 47 Inches Computer Desk User Manual

Model: B08CTTPHGW

INTRODUCTION

Thank you for choosing the SUPERJARE 47 Inches Computer Desk. This manual provides detailed instructions for assembly, usage, maintenance, and troubleshooting to ensure you get the most out of your new desk. Please read this manual thoroughly before beginning assembly or use.



Image: The SUPERJARE 47 Inches Computer Desk, featuring a brown wooden top and black metal frame with integrated side shelves.

SAFETY INFORMATION

- Always assemble the desk on a soft, clean surface to prevent scratches.
- Ensure all screws and fasteners are securely tightened before use. Periodically check and re-tighten if necessary.
- Do not overload the desk or shelves beyond their recommended weight capacity.
- Keep small parts and packaging materials away from children to prevent choking hazards.
- Avoid placing hot items directly on the desk surface without protection.

PACKAGE CONTENTS

Please verify that all components are present before beginning assembly. If any parts are missing or damaged, please contact customer support.

- Desk Top Panel (1)
- Metal Frame Legs (2)
- Side Shelf Panels (2)
- Crossbar/Support Bar (1)
- Adjustable Foot Pads (4)

- Assembly Hardware (Screws, Allen Wrench)
- Instruction Manual (This document)

SETUP AND ASSEMBLY

Assembly is straightforward and typically takes less than an hour. It is recommended to have a second person for easier assembly, though it can be done alone.

1. **Unpack and Identify Parts:** Carefully remove all components from the packaging. Lay them out on a soft, clean surface to prevent damage. Refer to the parts list to ensure everything is present.
2. **Assemble the Metal Frame:** Connect the two metal frame legs using the provided crossbar. Ensure the pre-drilled holes align. Secure with screws using the Allen wrench. The frame is designed for stability and durability.

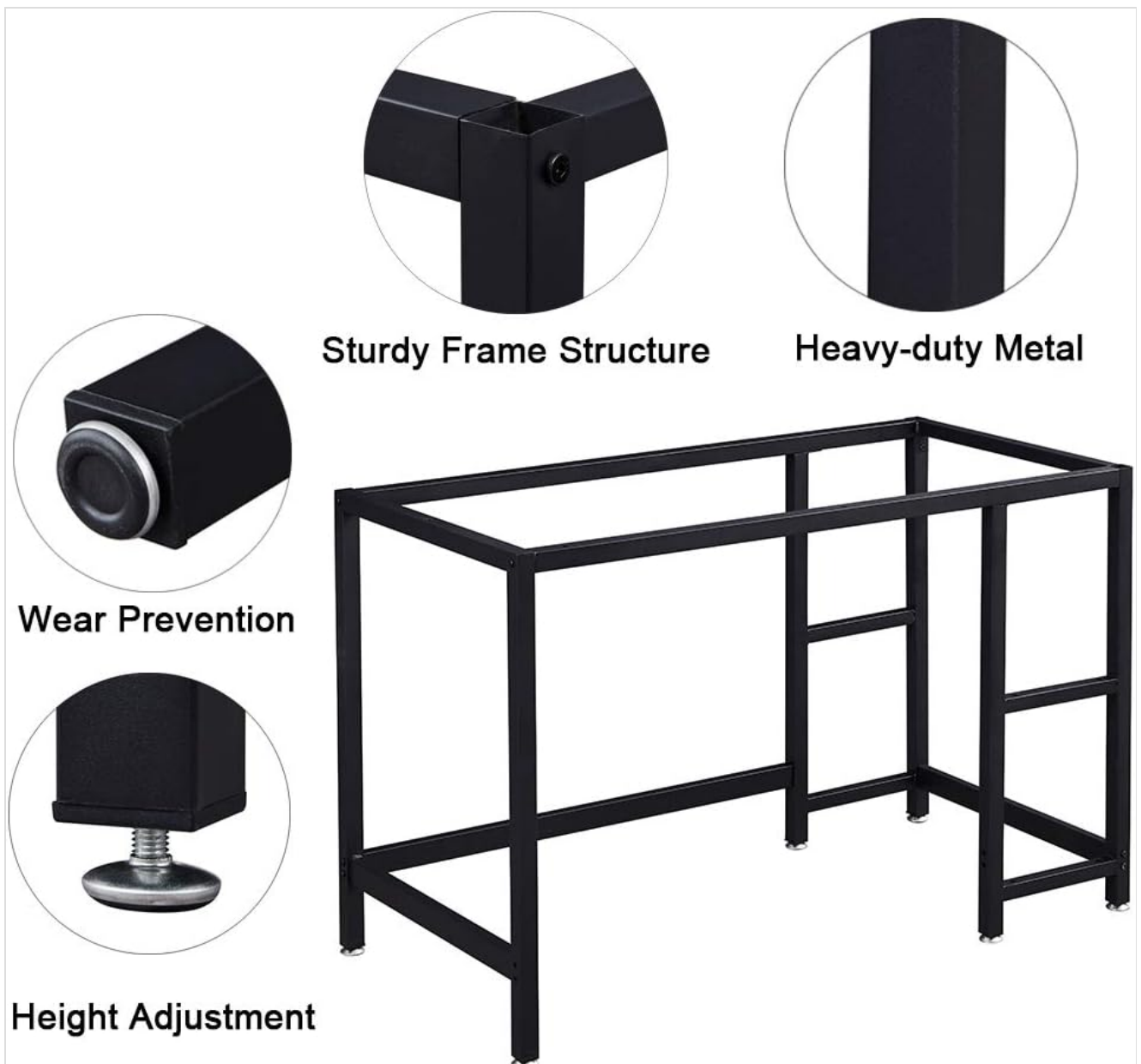


Image: Close-up views of the sturdy frame structure, heavy-duty metal, wear prevention pads, and height adjustment feet.

3. **Attach Side Shelves:** The side shelves can be attached to either the left or right side of the desk frame, depending on your preference and space requirements. The bar across the front of the shelves can be removed and reattached on the opposite side if you wish to spin the desk and change the shelf orientation. Secure the shelf panels to the frame using the designated screws.



Image: Diagrams illustrating how to set up shelves on the left or right, and how to remove the second tier shelf for flexible space.

4. **Attach Desk Top:** Carefully place the desk top panel onto the assembled metal frame. Align the pre-drilled holes on the underside of the desk top with the holes on the top of the metal frame. Secure the desk top to the frame using the remaining screws.
5. **Install Adjustable Foot Pads:** Screw the adjustable foot pads into the bottom of each leg. These pads help protect your floor and allow for minor height adjustments to ensure the desk is stable on uneven surfaces.
6. **Final Check:** Once assembled, gently shake the desk to ensure it is stable. Tighten any loose screws if necessary.

OPERATING AND USAGE

The SUPERJARE Computer Desk is designed for versatility and functionality in various settings.

- **Workstation:** Utilize the spacious 47-inch desktop for your laptop, monitor, keyboard, and other office essentials. Its sturdy construction provides a reliable surface for daily work.
- **Flexible Storage:** The integrated side shelves offer convenient storage for books, office supplies, or decorative items. As shown in the assembly section, the shelves can be configured on either the left or right side to suit your room layout.
- **Computer Tower Space:** For users with desktop computers, the second tier shelf can be removed to create a dedicated space for your computer tower, keeping it off the floor and easily accessible.

- **Multipurpose Use:** Beyond a computer desk, this unit serves well as a study desk, writing table, or even a crafting station, adapting to your specific needs.



Image: The SUPERJARE desk in a modern home office, showcasing its use with a laptop, lamp, and decorative items on the shelves.

MAINTENANCE

To maintain the appearance and longevity of your SUPERJARE desk, follow these simple care instructions:

- **Cleaning:** Wipe the desk surface and metal frame with a soft, damp cloth. For stubborn marks, a mild soap solution can be used, followed by drying with a clean cloth. Avoid abrasive cleaners or harsh chemicals. The laminated finish is designed to be easy to clean.



Image: The desk in a room setting, highlighting its easy-to-clean surface and modern brown color.

- **Spills:** Promptly wipe up any spills to prevent water damage or staining, especially on the laminated wood surface.
- **Protection:** Use coasters for drinks and protective pads under hot items or sharp objects to prevent damage to the desktop.
- **Fasteners:** Periodically check all screws and bolts to ensure they remain tight. Re-tighten if any looseness is detected.

TROUBLESHOOTING

If you encounter any issues with your desk, refer to the common problems and solutions below:

Problem	Possible Cause	Solution
Desk is wobbly or unstable.	Loose screws; uneven floor.	Ensure all assembly screws are tightened. Adjust the foot pads on the bottom of the legs to level the desk on uneven surfaces.
Parts do not align during assembly.	Incorrect orientation of parts; manufacturing defect.	Double-check the instruction manual for correct part orientation. If parts are still misaligned, contact customer support.

Problem	Possible Cause	Solution
Missing or damaged parts.	Packaging error; shipping damage.	Do not proceed with assembly. Contact SUPERJARE customer service immediately for replacement parts.

SPECIFICATIONS

Key technical specifications for the SUPERJARE 47 Inches Computer Desk:

- **Brand:** SUPERJARE
- **Model:** B08CTTPHGW
- **Product Dimensions (D x W x H):** 23.6" x 47" x 30.1"



Image: Diagram showing the desk dimensions: 47 inches width, 23.6 inches depth, and 30.1 inches height, with shelf depth of 9.4 inches.

- **Color:** Brown
- **Style:** Modern
- **Base Material:** Metal
- **Top Material Type:** Laminated Wood (Brown finish)
- **Tabletop Thickness:** 0.6 Inches
- **Number of Shelves:** 3 (2 adjustable/removable side shelves)
- **Assembly Required:** Yes
- **Recommended Uses:** Office, Working, Writing

WARRANTY AND SUPPORT

SUPERJARE is committed to providing high-quality products and customer satisfaction. This product comes with a standard manufacturer's warranty covering defects in materials and workmanship.

- **Warranty Claims:** For warranty service, please retain your proof of purchase. Contact SUPERJARE customer support with details of the issue.
- **Customer Service:** If you have any questions, concerns, or require assistance with your SUPERJARE 47 Inches Computer Desk, please reach out to our customer service team. We are dedicated to providing friendly and helpful support.