

Manuals+

[Q & A](#) | [Deep Search](#) | [Upload](#)

manuals.plus /

> [COMASACH](#) /

> [COMASACH Queen 14-Inch Heavy-Duty Metal Platform Bed Frame Instruction Manual](#)

COMASACH Queen

COMASACH Queen 14-Inch Heavy-Duty Metal Platform Bed Frame

Model: Queen | Brand: COMASACH

1. IMPORTANT SAFETY INFORMATION

Please read and understand all instructions before assembly and use. Keep this manual for future reference.

- **Weight Capacity:** This bed frame is designed to support up to 3500 lbs (including mattress and occupants). Do not exceed this weight limit.
- **Adult Assembly Required:** Assembly should be performed by adults.
- **Check Connections:** Periodically check all bolts and connections to ensure they remain tight. Retighten if necessary.
- **Avoid Jumping:** Do not jump on the bed frame.
- **Proper Placement:** Ensure the bed frame is placed on a flat, level surface.
- **Recessed Legs:** The frame features recessed legs to minimize the risk of stubbing toes. Exercise caution when moving around the bed.

Enhanced Safety

-Recessed Bed Legs



Figure 1: Enhanced safety design with recessed bed legs.

2. PACKAGE CONTENTS

Verify that all components are present before beginning assembly. If any parts are missing or damaged, please contact COMASACH customer support.

2.1. Frame Components

- Side Rails
- Center Support Beams
- Legs
- Slats

2.2. Hardware & Tools

- Bolts
- Nuts
- Allen Wrench
- Wrench

3. SETUP AND ASSEMBLY INSTRUCTIONS

The COMASACH bed frame is designed for easy assembly, typically taking around 20 minutes with the provided tools.

3.1. Preparation

1. Clear an open space for assembly.
2. Unpack all components and lay them out. Refer to the parts list to ensure everything is present.
3. Keep the instruction manual and hardware within reach.

3.2. Assembling the Frame

1. Connect the side rails to the corner legs using the provided bolts and nuts. Ensure all connections are secure but do not fully tighten yet.
2. Attach the center support beams to the main frame. These beams provide additional stability.
3. Once the main frame is assembled, fully tighten all bolts using the provided tools.



Figure 2: Integrated structure and easy lock slats for simplified assembly.

3.3. Installing the Slats

1. Place the metal slats across the assembled frame. Ensure the slat holders are facing upwards.
2. Secure each slat into its designated slot. The design allows for easy locking of the slats.
3. Confirm all slats are properly seated and stable before placing the mattress.



Figure 3: Fully assembled bed frame, ready for mattress placement.

4. OPERATING INSTRUCTIONS

This platform bed frame is designed for direct mattress placement, eliminating the need for a box spring.

- **Mattress Placement:** Carefully place your Queen-sized mattress directly onto the installed slats.
- **No Box Spring Needed:** The sturdy metal slats provide ample support for spring, hybrid, or memory foam mattresses without the requirement of a box spring.
- **Noise-Free Design:** The frame is engineered to be quiet and noise-free, ensuring a peaceful sleep environment.



Figure 4: The bed frame with a mattress, showcasing its functional design.

5. MAINTENANCE

Regular maintenance helps prolong the life and performance of your bed frame.

- **Cleaning:** Wipe down the metal frame with a soft, damp cloth. Avoid harsh chemicals or abrasive cleaners that could damage the finish.
- **Check Connections:** Every few months, inspect all bolts and connections. Tighten any loose hardware to maintain stability and prevent noise.
- **Under-Bed Area:** Regularly clean the area beneath the bed to prevent dust accumulation.

6. TROUBLESHOOTING

If you encounter any issues with your bed frame, refer to the following common solutions:

- **Squeaking Noises:** Although designed to be noise-free, if squeaking occurs, check all bolts and ensure they are tightly secured. Loose connections are the most common cause of noise.
- **Instability/Wobbling:** Ensure the bed frame is on a level surface. Verify that all legs are making

firm contact with the floor and all frame connections are tightened.

- **Mattress Sliding:** If your mattress tends to slide, consider using a non-slip mattress pad between the mattress and the slats.

7. SPECIFICATIONS

Size	Queen
Product Dimensions	80"L x 60"W x 14"H
Item Weight	30.7 pounds
Weight Capacity	Up to 3500 lbs
Material	Steel
Color	Black
Special Features	Easy Assembly, No Box Spring Needed, Squeak Resistant, Under-bed Storage

DIMENSION & CAPACITY

- For Queen Mattress: 80"L * 60"W
- Load Capacity: Heavy Duty

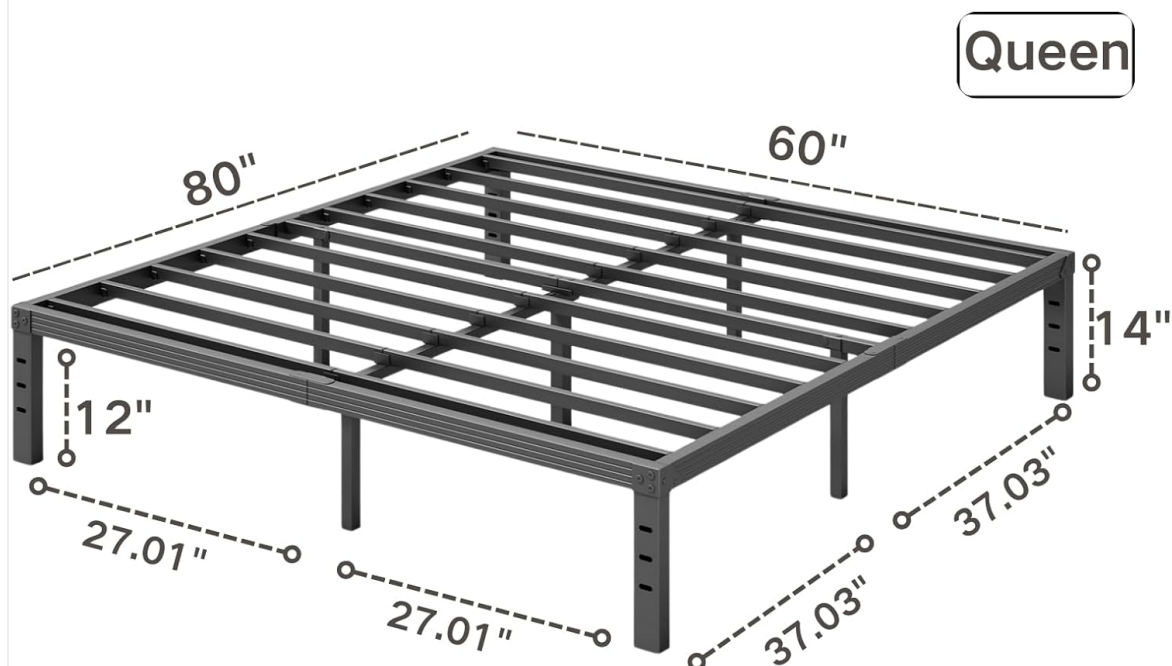


Figure 5: Detailed dimensions and capacity of the Queen bed frame.

7.1. Maximized Space Utilization

The 14-inch height of this platform bed frame provides ample clearance underneath, allowing for

significant storage space. This feature helps in organizing your room and keeping it clutter-free.



Figure 6: Example of under-bed storage utilization.

8. WARRANTY AND SUPPORT

For warranty information, product support, or any questions regarding your COMASACH bed frame, please refer to the contact information provided at the point of purchase or visit the official COMASACH website. Keep your purchase receipt as proof of purchase.

Thank you for choosing COMASACH.