



[Manuals.plus](#) /

› [COMASACH](#) /

› COMASACH Twin Size 14" High Platform Bed Frame Instruction Manual

COMASACH Twin

COMASACH Twin Size 14" High Platform Bed Frame Instruction Manual

Brand: COMASACH | **Model:** Twin 14 Inch

INTRODUCTION

This manual provides detailed instructions for the assembly, operation, and maintenance of your COMASACH Twin Size 14" High Platform Bed Frame. Designed for durability and ease of use, this heavy-duty steel frame offers robust support for your mattress without the need for a box spring, while also providing ample under-bed storage space.

Key features include:

- Heavy-duty steel construction for enhanced durability.
- Noise-free design for a quiet sleeping environment.
- 14-inch height providing significant under-bed storage.
- Easy assembly process.

PACKAGE CONTENTS

Before beginning assembly, ensure all parts and hardware are present. Refer to the included instruction sheet for a complete list of components.

DIMENSION & CAPACITY

- For Twin Mattress: 75"L * 38"W
- Load Capacity: Heavy Duty

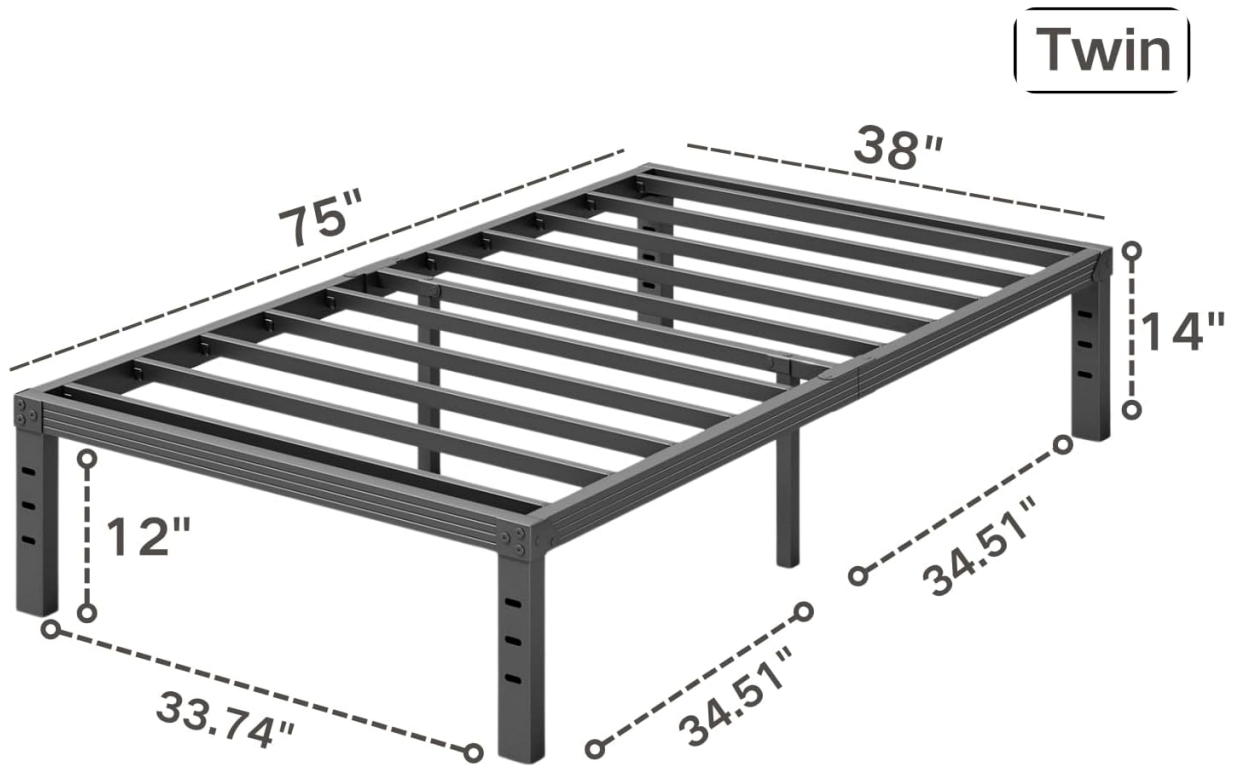


Image: Diagram illustrating the dimensions (75"L x 38"W x 14"H) and heavy-duty load capacity of the Twin bed frame.

ASSEMBLY INSTRUCTIONS

Assembly typically takes approximately 20 minutes with the provided tools. For faster assembly, a power drill with appropriate bits can be used.

Step 1: Unpack and Identify Parts

Carefully remove all components from the packaging. Lay them out on a clean, flat surface. Verify all parts against the included parts list in your setup instruction manual. The hardware, including bolts, nuts, Allen wrench, and wrench, is neatly packaged and numbered for easy identification.



Image: All bed frame components, hardware, and the setup instruction manual laid out on the floor prior to assembly.

Step 2: Assemble the Main Frame

Connect the four corner sections of the bed frame using the provided bolts and nuts. Ensure that the slat holes on the side rails are facing upwards. Tighten all connections securely but do not overtighten until all components are in place.

Video: A demonstration of the unboxing and assembly process for a COMASACH bed frame, showing how to connect the main frame components.

Step 3: Install Center Support Bar

Attach the center support bar to the designated points on the main frame. This bar provides additional stability and support for the mattress.

Step 4: Place the Slats

Once the main frame is assembled, insert the metal slats into the designated slots on the side rails. These slats are designed to fit snugly and provide a firm foundation for your mattress. No additional tools are required for slat installation.

EASY ASSEMBLY

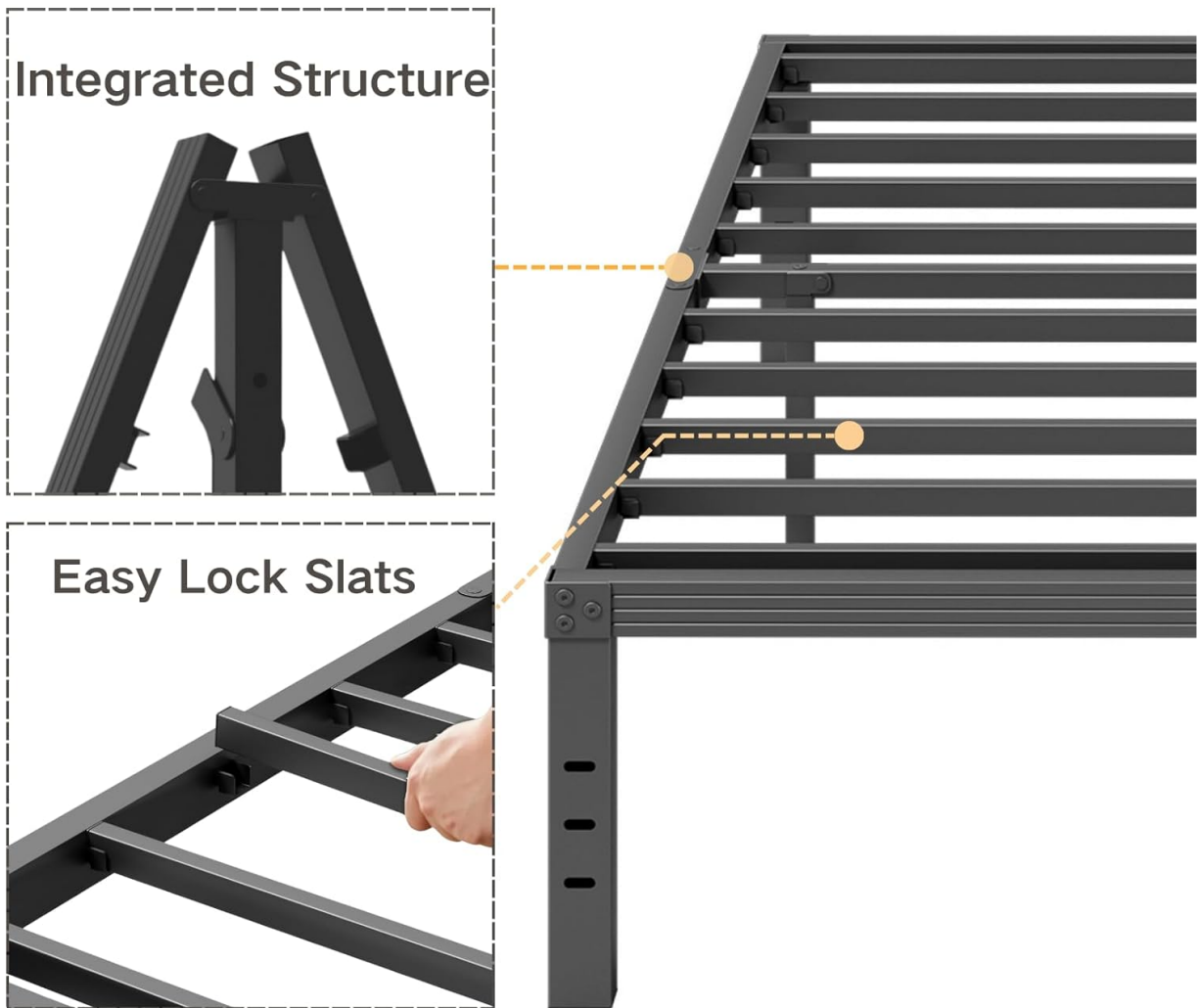


Image: Close-up view of the integrated structure and easy lock slats, highlighting the simplicity of the assembly process.

OPERATING THE BED FRAME

The COMASACH platform bed frame is designed to support various mattress types directly, eliminating the need for a box spring. Simply place your spring, hybrid, or memory foam mattress directly onto the assembled frame.

Noise-Free Design

The sturdy steel construction and secure assembly points contribute to a noise-free experience, preventing squeaks and creaks during use.

Under-Bed Storage

With 14 inches of clearance, this bed frame offers significant space for under-bed storage. This allows for efficient organization and decluttering of your living space.

Video: A demonstration showcasing the extensive under-bed storage capacity of the 14-inch COMASACH bed frame, highlighting its practical use for organizing items.



Image: A twin bed frame with several yellow-lidded storage bins neatly placed underneath, demonstrating the ample storage space provided by the 14-inch height.

MAINTENANCE

To ensure the longevity and optimal performance of your bed frame, follow these maintenance guidelines:

- **Regular Cleaning:** Wipe down the metal frame with a soft, damp cloth to remove dust and debris. Avoid harsh chemicals that may damage the finish.
- **Check Connections:** Periodically inspect all bolts and nuts to ensure they remain tight. Retighten if necessary to maintain stability and prevent noise.
- **Avoid Overloading:** Do not exceed the maximum weight capacity of 800 lbs to prevent structural damage.

TROUBLESHOOTING

If you encounter any issues with your bed frame, refer to the following common solutions:

- **Squeaking Noises:** Ensure all bolts are securely tightened. Loose connections are a common cause of squeaking.
- **Mattress Sliding:** If your mattress tends to slide, consider placing a non-slip mat between the

mattress and the bed frame slats.

- **Instability:** Double-check that all frame components are correctly assembled and all bolts are tightened. Ensure the bed frame is on a level surface.

SPECIFICATIONS

Feature	Detail
Size	Twin
Product Dimensions	75"L x 38"W x 14"H
Weight	27 lbs (Item Weight: 23.8 pounds)
Load Capacity	Up to 800 lbs
Material	Metal (Steel)
Color	Black
Special Features	Easy Assembly, No Box Spring Needed, Squeak Resistant
Included Components	Slats
Storage Options	Under-bed storage

SAFETY INFORMATION

Always follow the assembly instructions carefully to prevent instability or collapse. Do not exceed the maximum weight capacity of 800 lbs to ensure safety and longevity of the bed frame.

Enhanced Safety

-Recessed Bed Legs



Minimize the risk
of stubbing toes

Image: Enhanced safety design featuring recessed bed legs to minimize the risk of accidental toe stubbing.

WARRANTY AND SUPPORT

For any questions or concerns regarding your COMASACH bed frame, please contact the seller or manufacturer directly through your order platform. They are available to assist with product inquiries and support.