

Bestway 60031

Lay-Z-Spa Hawaii HydroJet Pro User Manual

Model: 60031 | Brand: Bestway

INTRODUCTION

This manual provides comprehensive instructions for the Lay-Z-Spa Hawaii HydroJet Pro, a square inflatable spa designed for 4 to 6 people. It features 140 AirJets and 8 adjustable HydroJets, offering a luxurious and relaxing experience. Please read this manual thoroughly before setting up and operating your spa to ensure safe and efficient use.

SAFETY INFORMATION

Always follow basic safety precautions when installing and using this electrical appliance. Failure to follow these instructions can result in serious injury or death.

- Do not operate the spa if the power cord is damaged.
- Keep children under supervision at all times when near the spa.
- Do not use electrical appliances near the spa.
- Maintain proper water chemistry to prevent health hazards.
- Consult a physician before use if you have health conditions.

PRODUCT OVERVIEW AND FEATURES

The Lay-Z-Spa Hawaii HydroJet Pro is designed for ultimate relaxation and ease of use. Key features include:

- **HydroJet Pro Massage System:** Equipped with 8 adjustable HydroJets and 140 AirJets for a comprehensive massage experience.

- **DuraPlus™ Material:** Constructed with a durable, puncture-resistant material for enhanced longevity.
- **Freeze Shield™ Automatic Heating:** Prevents water from freezing and damaging the spa's internal components during colder temperatures.
- **Integrated Water Filtration System:** Keeps your spa water clean and clear.
- **Digital Control Panel:** Easy-to-use interface for controlling temperature, jets, and filtration.



Figure 1: Lay-Z-Spa Hawaii HydroJet Pro with external pump unit. This image shows the complete spa setup, highlighting its square shape and the attached control and heating unit.



Figure 2: Users enjoying the Lay-Z-Spa Hawaii HydroJet Pro. This image illustrates the spa in use, demonstrating its capacity and the relaxing atmosphere it provides.



Figure 3: Detail of the HydroJet nozzles. This close-up shows the design and placement of the adjustable HydroJets within the spa's interior wall.



Figure 4: Lay-Z-Spa featuring the Freeze Shield™ technology. This image highlights the spa's ability to be used year-round, even in colder conditions, thanks to its automatic heating system that prevents freezing.

SETUP INSTRUCTIONS

Follow these general steps for setting up your Lay-Z-Spa Hawaii HydroJet Pro. Refer to the included DVD or QR code for detailed video instructions.

1. **Site Selection:** Choose a flat, level surface capable of supporting the spa's weight when filled (approx. 795 kg). Ensure adequate drainage.
2. **Unpack and Lay Out:** Carefully remove all components from the packaging and lay them out on the chosen site.
3. **Inflate Spa:** Connect the inflation hose to the spa's air valve and use the spa pump to inflate until firm,

but not over-inflated.

4. **Connect Pump Unit:** Attach the pump unit to the spa following the connection port labels.
5. **Fill with Water:** Fill the spa with fresh water to the recommended fill line.
6. **Initial Water Treatment:** Add necessary chemicals to balance water chemistry before first use.

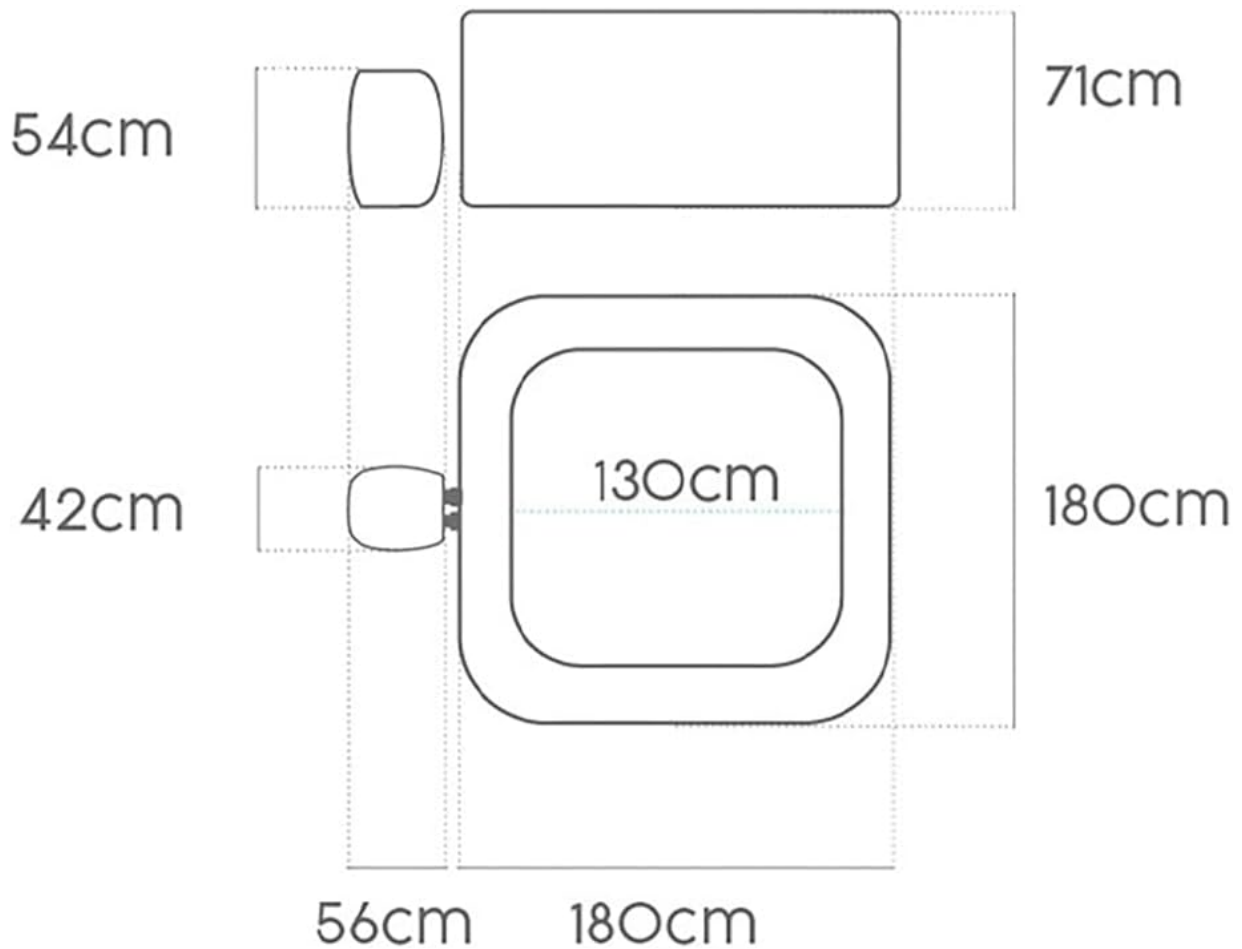


Figure 5: Spa dimensions diagram. This diagram provides the overall dimensions of the spa and its external pump unit, crucial for planning placement and ensuring adequate space.

OPERATING INSTRUCTIONS

Your Lay-Z-Spa Hawaii HydroJet Pro is controlled by a digital panel on the pump unit. Familiarize yourself with the buttons and their functions.



Figure 6: Digital control panel layout. This diagram labels each button and indicator on the spa's control panel, including

temperature adjustment, jet activation, and filtration controls.

- **Power Button:** Turns the spa pump ON/OFF.
- **Temperature Adjustment:** Use the up/down arrows to set your desired water temperature (up to 40°C / 104°F).
- **Massage AirJet™ / AirJet Plus™:** Activates the bubbling AirJets for a gentle massage.
- **Massage HydroJet Pro™:** Activates the directional HydroJets for a more targeted massage.
- **Heating Activation:** Turns the heating system ON/OFF. The heating indicator light will illuminate when active.
- **Water Filtration Activation:** Starts the water circulation and filtration cycle.
- **Energy Saving Timer:** Program the spa to heat up at a specific time.
- **Celsius/Fahrenheit:** Toggles the temperature display unit.
- **Lock/Unlock Button:** Locks or unlocks the control panel to prevent accidental changes.

MAINTENANCE

Regular maintenance is crucial for the longevity and hygiene of your Lay-Z-Spa.

- **Filter Cartridge Cleaning/Replacement:** Clean the filter cartridge daily or every other day. Replace it every 1-2 weeks depending on usage.
- **Water Chemistry:** Test water regularly and adjust pH, alkalinity, and sanitizer levels as needed.
- **Spa Cleaning:** Drain and clean the spa interior periodically. Use a soft cloth and mild, non-abrasive cleaner.
- **Winterization:** If not using the Freeze Shield™ feature, properly drain, clean, and store the spa for winter to prevent damage.

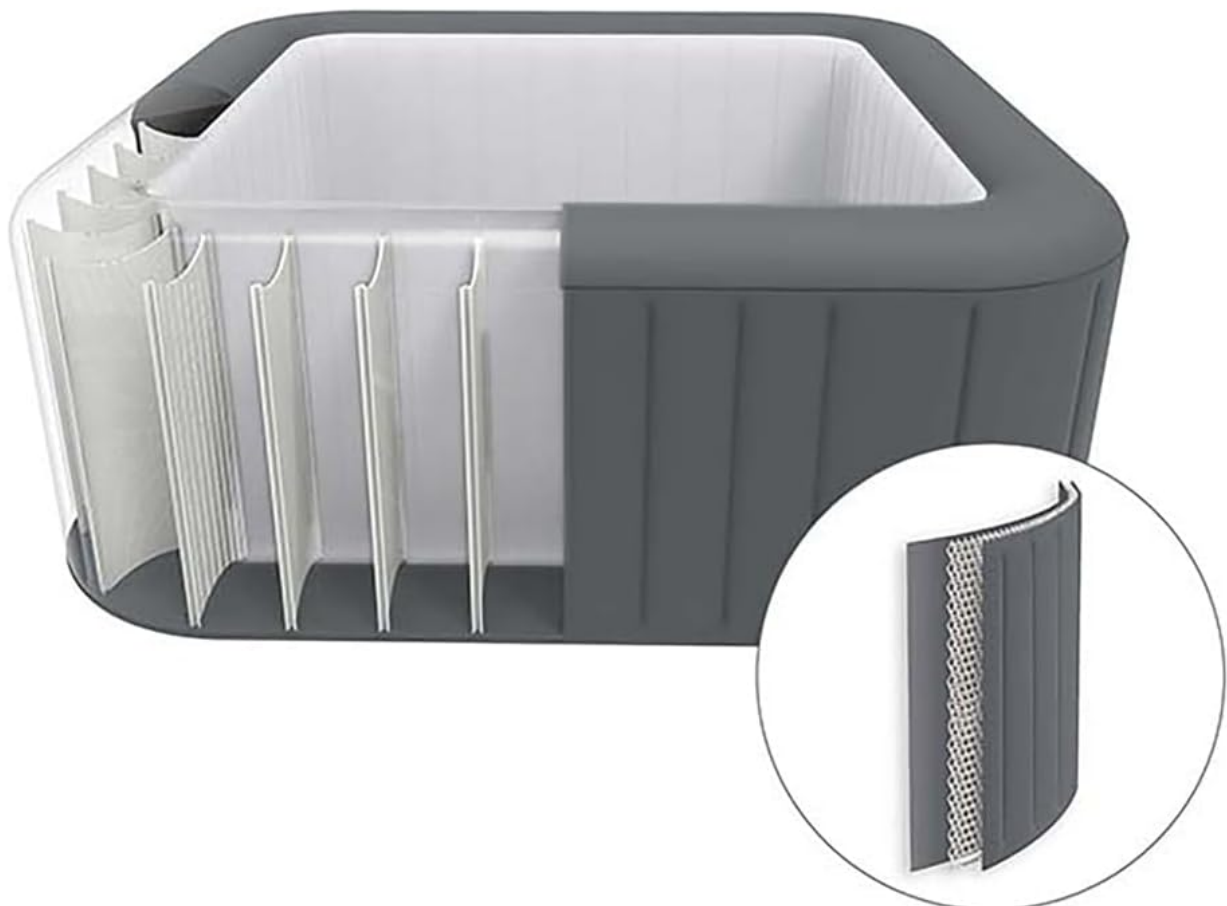


Figure 7: Internal view of the filter system. This diagram shows how the filter cartridge is integrated into the spa's water circulation system, emphasizing its role in maintaining water cleanliness.

TROUBLESHOOTING

This section addresses common issues you might encounter with your spa. For more complex problems, contact customer support.

Problem	Possible Cause	Solution
Spa not heating	Heater not activated; low water flow; dirty filter.	Ensure heater is on; check water level; clean/replace filter.
Jets not working	Jets not activated; air valve closed; pump issue.	Activate jets on control panel; ensure air valve is open; check pump connections.
Water is cloudy	Dirty filter; improper water chemistry; heavy usage.	Clean/replace filter; test and adjust water chemicals; shock treat water.

SPECIFICATIONS

Specification	Value
Product Dimensions (L x W x H)	180 x 180 x 71 cm
Item Weight	54.27 Kilograms
Material	Polyvinyl Chloride (PVC)
Water Capacity	795 Liters
Power Source	Electric Cable
Voltage	220 Volts
Shape	Rectangular (Square)
Number of Jets	148 (140 AirJets + 8 HydroJets)
Seating Capacity	4-6 persons
Manufacturer	Bestway
Model Number	60031
Color	Dark Grey

WARRANTY AND SUPPORT

Bestway provides a limited warranty for this product. Please refer to the warranty card included with your purchase for specific terms and conditions. For technical support, spare parts, or warranty claims, please contact Bestway customer service through their official website or the contact information provided in your product packaging.

For further assistance, visit the Bestway support page or contact their customer service directly. Keep your purchase receipt as proof of purchase for warranty purposes.