



[Manuals.plus](#) /

> [SDHYL](#) /

> SDHYL 78-inch Home Office Desk with Storage Shelves Instruction Manual

SDHYL S7-LD-H01OK

SDHYL 78-inch Home Office Desk with Storage Shelves Instruction Manual

Model: S7-LD-H01OK

INTRODUCTION

This manual provides detailed instructions for the assembly, operation, and maintenance of your SDHYL 78-inch Home Office Desk with Storage Shelves. Please read this manual thoroughly before assembly and use to ensure proper function and longevity of your product. Keep this manual for future reference.



Image 1: SDHYL 78-inch Home Office Desk with Storage Shelves, showcasing its dual workstation design and central storage unit.

SAFETY INFORMATION

- Ensure all components are present and undamaged before assembly. Do not use if any parts are missing or damaged.
- Assemble the desk on a soft, clean surface to prevent scratches.
- Tighten all screws and bolts securely, but do not overtighten.
- Do not stand or sit on the desk.
- Keep small parts away from children during assembly.
- Distribute weight evenly across the desk surface and shelves.

PACKAGE CONTENTS

Before beginning assembly, verify that all parts listed below are present in your package. If any parts are missing or damaged, please contact customer support.

Part	Description	Quantity
A	Desktop Panels (Left, Right, Middle)	3
B	Metal Legs (U-shaped)	4

Part	Description	Quantity
C	Middle Storage Shelf Panels	Various
D	Cross Braces	2
E	Adjustable Foot Pads	4
F	Screws, Bolts, Allen Wrench	1 Set

Note: The exact number and type of fasteners may vary slightly. Refer to the included hardware bag for precise counts.

SETUP AND ASSEMBLY

Assembly typically requires two people and takes approximately 30-60 minutes. An Allen wrench is provided. A Phillips head screwdriver (not included) may be helpful for some steps.

- 1. Unpack Components:** Carefully remove all parts from the packaging. Lay them out on a clean, soft surface to prevent damage.
- 2. Assemble Middle Storage Unit:**
 - Connect the side panels of the middle storage unit to the bottom panel using the designated screws.
 - Insert the adjustable shelf into the desired position within the middle unit.

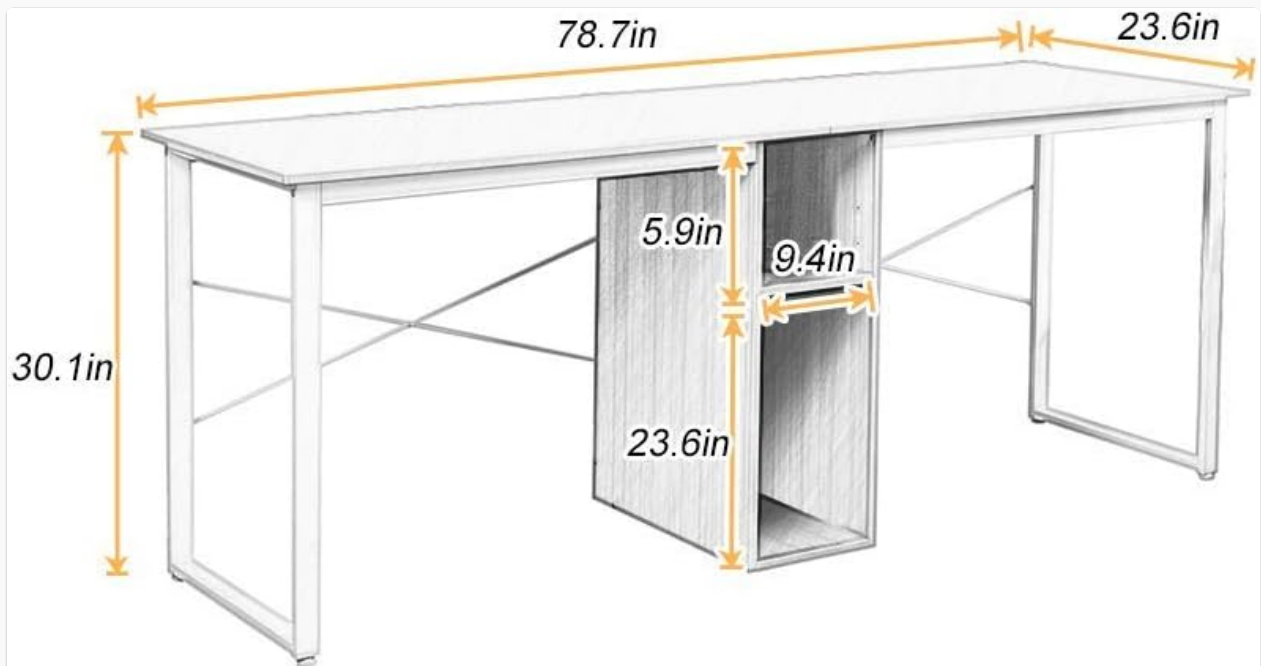


Image 2: Detail of the central storage shelf, designed to accommodate a CPU tower and other items.

- 3. Attach Metal Legs to Desktop Panels:**
 - Place the desktop panels upside down on your soft surface.
 - Align the metal legs (B) with the pre-drilled holes on the underside of the desktop panels (A).
 - Secure the legs using the provided screws and the Allen wrench. Do not fully tighten yet.
- 4. Connect Middle Storage Unit to Desktops:**
 - Position the assembled middle storage unit (C) between the two desktop panels.
 - Secure the middle unit to the desktop panels using the appropriate fasteners.
- 5. Install Cross Braces:**

- Attach the cross braces (D) to the rear of the metal legs to enhance stability.
- Ensure the braces are taut and securely fastened.



Image 3: The assembled desk in a home office environment, highlighting the cross braces that provide structural support.

6. Attach Adjustable Foot Pads:

- Screw the adjustable foot pads (E) into the bottom of each metal leg.
- Once the desk is upright, adjust these pads to level the desk on uneven floors.

7. **Final Tightening:** Once all components are in place, go back and fully tighten all screws and bolts.

8. **Upright Position:** With assistance, carefully flip the desk upright.

OPERATING INSTRUCTIONS

The SDHYL 78-inch Home Office Desk is designed for versatile use in various settings. Its dual workstation design allows for two users or a spacious single setup.

- **Workstation Setup:** Utilize the expansive desktop surface for computers, monitors, laptops, and other office equipment.
- **Storage:** The central 2-tier storage shelf is ideal for housing a CPU tower, books, documents, or other office supplies.
- **Leveling:** If the desk wobbles, adjust the foot pads at the base of each leg until the desk is stable.

MAINTENANCE

- **Cleaning:** Wipe the desk surfaces with a soft, damp cloth. Avoid harsh chemicals or abrasive cleaners that could damage the finish.
- **Spills:** Clean up spills immediately to prevent staining or damage to the wood particle board.
- **Fasteners:** Periodically check all screws and bolts to ensure they remain tight. Retighten as necessary to maintain stability.
- **Avoid Extreme Conditions:** Do not expose the desk to excessive moisture, direct sunlight for prolonged periods, or extreme temperature changes, as this may cause warping or discoloration.

TROUBLESHOOTING

Problem	Possible Cause	Solution
Desk is wobbly	Uneven floor; loose fasteners	Adjust the foot pads at the bottom of the legs. Ensure all screws and bolts are securely tightened.
Parts do not fit together	Incorrect orientation; manufacturing defect	Review assembly steps and diagrams carefully. Ensure parts are oriented correctly. If parts are defective, contact customer support.
Missing hardware	Packaging error	Check all packaging materials thoroughly. Contact customer support for replacement parts.

SPECIFICATIONS

- **Model:** S7-LD-H01OK
- **Overall Dimensions (L x W x H):** 78.7 inches x 23.6 inches x 30.1 inches
- **Material:** E1 Grade Environmental Solid Particle Wood, Metal Frame
- **Frame Thickness:** 1.2 mm
- **Color:** Oak
- **Storage:** 2-Tier Central Shelf
- **Assembly Required:** Yes



Image 4: Dimensional diagram of the desk, illustrating its length, width, height, and the internal dimensions of the central storage unit.

WARRANTY AND SUPPORT

SDHYL provides customer support for product-related inquiries. If you encounter any issues with your product, including missing or damaged parts, please contact us directly. We aim to respond and offer a solution within 24 hours.

For support, please refer to the contact information provided with your purchase or visit the official SDHYL website.

Note: Specific warranty terms and conditions may apply. Please retain your proof of purchase.

