

Schock MAND100LSAGCR

SCHOCK Manhattan D-100LS Croma Kitchen Sink Instruction Manual

Model: MAND100LSAGCR

1. PRODUCT OVERVIEW

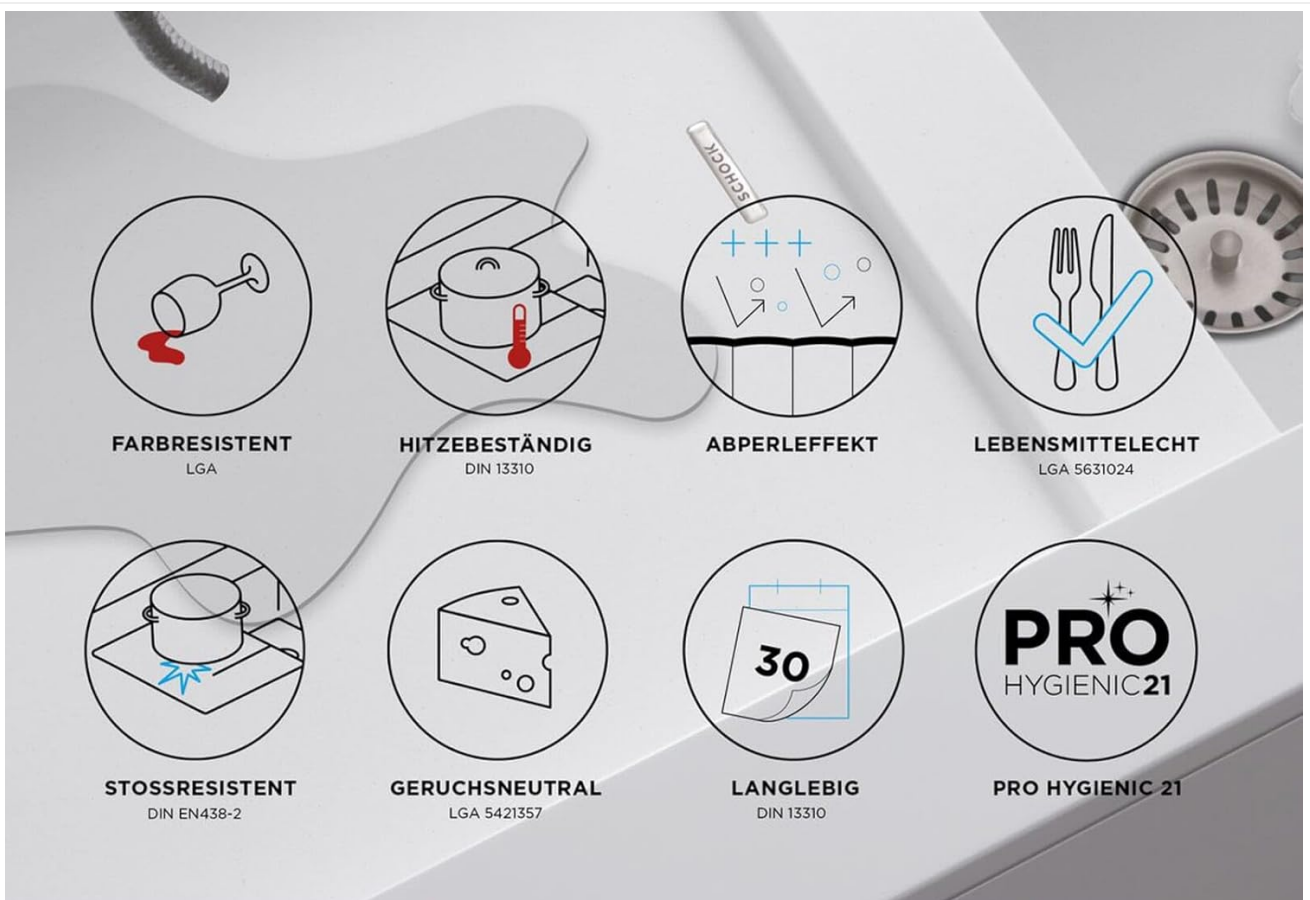
The SCHOCK Manhattan D-100LS Croma kitchen sink is a high-quality quartz composite sink designed for modern kitchens. Made from durable Cristalite material, this sink features a light grey finish and a compact design with an extra-short drainer, making it suitable for smaller households or kitchens. Its dimensions are 78 x 50 cm.

The Cristalite surface is characterized by its slightly rough, textured feel, offering exceptional robustness and resistance to heat, odors, colored foods, impacts, and scratches. The sink is reversible, allowing for flexible installation with the main bowl on either the left or right side. Pre-drilled holes simplify the installation of faucets or soap dispensers.

Included in the delivery are the sink, waste fitting, basket strainer, MiniCare kit, and eccentric control. A diamond drill is also provided for opening the pre-drilled holes.



Image 1.1: SCHOCK Manhattan D-100LS Croma Kitchen Sink, showcasing its light grey finish and modern design.



Den Alltagsbelastungen gewachsen. Eigenschaften der SCHOCK Spülenmodelle.
Dieses Szenebild ist beispielhaft. Alle weiteren Informationen entnehmen Sie bitte der Artikelbeschreibung.

Image 1.2: Key features of SCHOCK Cristalite sinks, including color resistance, heat resistance, easy cleaning, hygienic properties, and scratch resistance.

2. SAFETY INFORMATION

Please read all instructions carefully before installation and use. Keep this manual for future reference.

- Ensure all connections are secure and watertight to prevent leaks.
- Use appropriate personal protective equipment (e.g., gloves, safety glasses) during installation.
- Do not use abrasive cleaners or harsh chemicals that could damage the sink surface.
- Avoid dropping heavy or sharp objects into the sink, as this may cause damage.
- If using power tools for installation, follow the manufacturer's safety guidelines for those tools.

3. SETUP AND INSTALLATION

The SCHOCK Manhattan D-100LS Croma sink is designed for integrated installation into a countertop, suitable for base cabinets from 60 cm wide.

3.1. Unpacking and Inspection

- Carefully unpack all components and check for any damage.
- Verify that all listed components are present: sink, waste fitting, basket strainer, MiniCare kit, eccentric control, and diamond drill.

3.2. Determining Sink Orientation

The sink is reversible. Decide whether you want the main bowl on the left or right side of the drainer before proceeding with the cutout.

3.3. Countertop Cutout

Refer to the technical drawing for precise cutout dimensions. The overall sink dimensions are 78 x 50 cm. Ensure the cutout is accurate for a proper fit.

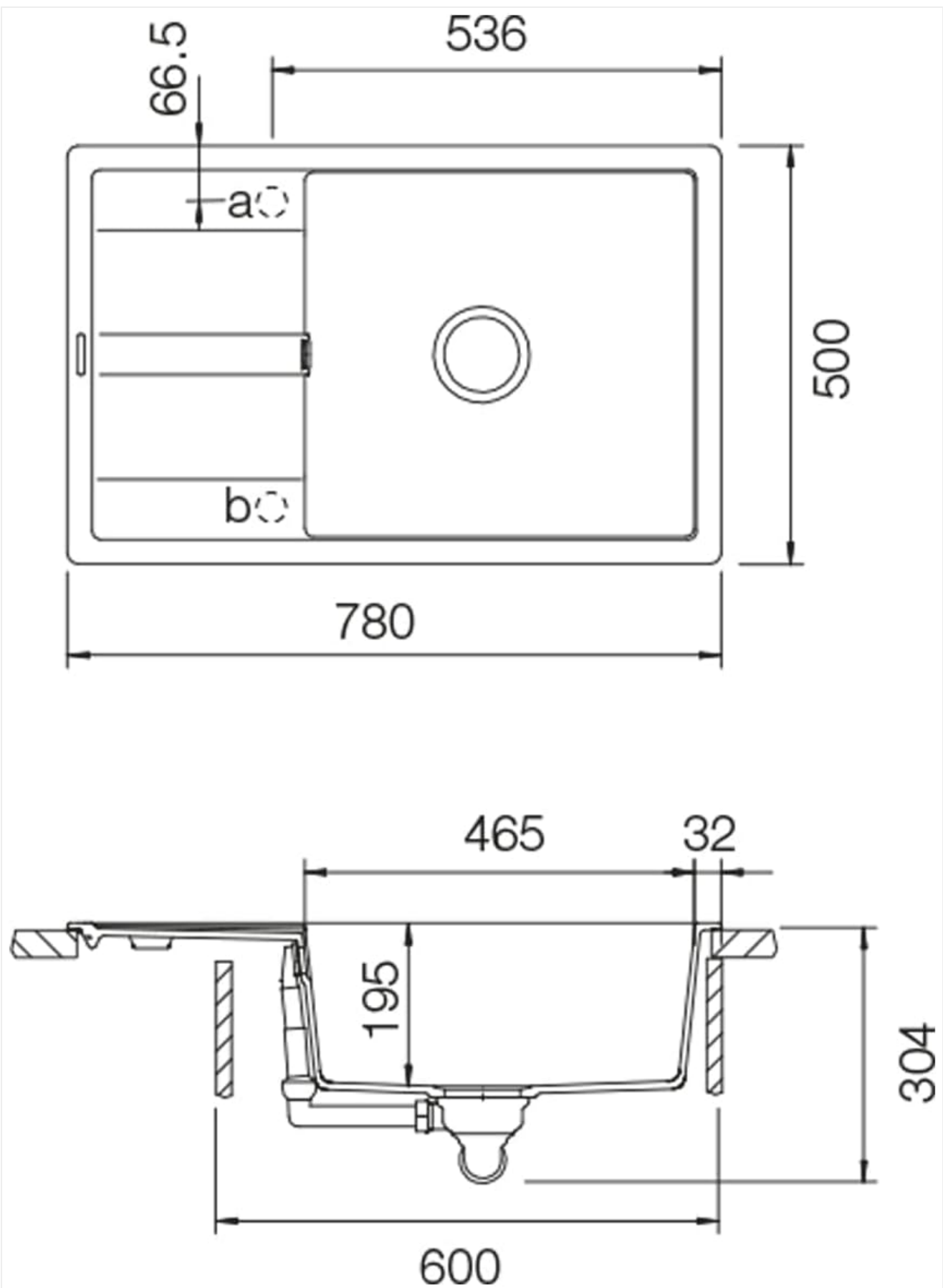


Image 3.1: Technical drawing showing the dimensions of the SCHOCK Manhattan D-100LS Cromas sink for accurate countertop cutout.

3.4. Faucet and Accessory Hole Preparation

The sink features pre-drilled holes for faucet and soap dispenser installation. Use the provided diamond drill to carefully punch out the desired holes from the underside of the sink.



Image 3.2: Illustration of a SCHOCK sink with a faucet installed, demonstrating the use of pre-drilled holes.

3.5. Waste Fitting and Eccentric Control Installation

Assemble the waste fitting and basket strainer according to the separate instructions provided with these components. Install the eccentric control mechanism, which allows for remote opening and closing of the drain.



Dreh-Exzenter

Dieses Szenebild ist beispielhaft. Alle Informationen entnehmen Sie bitte der Artikelbeschreibung.

Image 3.3: Close-up view of the eccentric control knob for the sink drain.



Micro-Fräsrand

bessere Formschlüssigkeit zwischen Spüle und Edelstahlsiebkorb

Image 3.4: Detail of the micro-milled edge and basket strainer, ensuring a flush fit.

3.6. Sealing and Securing

Apply a suitable sealant around the edge of the sink cutout before placing the sink. Secure the sink to the countertop using the provided mounting clips, ensuring a tight and stable fit.

4. OPERATING INSTRUCTIONS

The SCHOCK Manhattan D-100LS Croma sink is designed for everyday kitchen tasks.

- **Main Bowl:** Use the large main bowl for washing dishes, pots, and pans. Its generous size accommodates larger items.
- **Drainer:** The compact drainer area can be used for drying dishes, fruits, or vegetables.
- **Eccentric Control:** Use the eccentric control knob (Image 3.3) to open and close the sink drain without reaching into the water. Turn the knob to the desired position to control water drainage.

5. MAINTENANCE AND CARE

Proper care will ensure the longevity and appearance of your SCHOCK Cristalite sink.

5.1. Daily Cleaning

- Clean the sink regularly with a soft cloth, warm water, and a mild dish soap.
- Rinse thoroughly after cleaning to remove any soap residue.
- Wipe the sink dry to prevent water spots, especially in hard water areas.

5.2. Stain Removal

- For stubborn stains, use the provided MiniCare kit or a non-abrasive cream cleaner.
- Apply the cleaner to a damp cloth and gently rub the stained area.
- Rinse thoroughly and dry.
- Avoid using strong acids, alkalis, or abrasive scouring pads, as these can damage the Cristalite surface.

5.3. Preventing Damage

- While Cristalite is highly heat-resistant, avoid placing extremely hot pots or pans directly on the sink surface for extended periods. Use a trivet if necessary.
- Do not cut directly on the sink surface.
- Avoid contact with strong dyes or chemicals that could potentially discolor the sink if left for prolonged periods.

6. TROUBLESHOOTING

This section addresses common issues you might encounter.

6.1. Water Leaks

- **Issue:** Water leaking from around the sink edge or drain.
- **Solution:** Check all plumbing connections for tightness. Ensure the sealant around the sink edge is intact and properly applied. Re-tighten mounting clips if necessary.

6.2. Slow Drainage

- **Issue:** Water drains slowly from the sink.
- **Solution:** Remove the basket strainer and clean any accumulated food particles or debris. Check the P-trap for blockages.

6.3. Stains Not Removing

- **Issue:** Persistent stains despite regular cleaning.
- **Solution:** Use the MiniCare kit or a specialized quartz composite sink cleaner. Follow the product instructions carefully. For very tough stains, a paste of baking soda and water can be applied and left for a short period before scrubbing gently and rinsing.

7. SPECIFICATIONS

Feature	Detail
Model Number	MAND100LSAGCR
Brand	Schock
Material	Quartz Composite (Cristalite)
Color	Croma (Light Grey)
Overall Dimensions (L x W x H)	78 x 50 x 30.4 cm
Weight	15.8 Kilograms
Installation Type	Integrated

Drain Type	Grille
Number of Faucet Holes	1 (pre-drilled)
Minimum Base Cabinet Width	60 cm
Included Components	Sink, Waste Fitting, Basket Strainer, MiniCare Kit, Eccentric Control, Diamond Drill

8. WARRANTY AND SUPPORT

SCHOCK products are manufactured in Germany to high-quality standards, ensuring durability and reliability.

For specific warranty information, please refer to the warranty card included with your product or visit the official SCHOCK website. If you encounter any issues not covered in this manual or require further assistance, please contact your retailer or SCHOCK customer support directly.

Keep your proof of purchase for warranty claims.