

Manuals+

[Q & A](#) | [Deep Search](#) | [Upload](#)

manuals.plus /

› [Siemens](#) /

› [Siemens Built-in Gas Hob 1Q 500, 90 cm, 5 Gas Burners, Cast Iron Pan Support, One-Hand Ignition, Solid Glass Surface, Black, EP9B6QO90M, 3 Years Warranty User Manual](#)

Siemens EP9B6QO90M

Siemens Built-in Gas Hob User Manual

Model: EP9B6QO90M | Brand: Siemens

INTRODUCTION

Thank you for choosing the Siemens EP9B6QO90M Built-in Gas Hob. This appliance combines advanced technology with elegant design to provide a superior cooking experience. Featuring 5 high-quality Sabaf burners and robust cast iron pan supports, it is designed for efficiency, safety, and durability. This manual provides essential information for the safe installation, operation, maintenance, and troubleshooting of your new gas hob. Please read it thoroughly before use and keep it for future reference.

IMPORTANT SAFETY INFORMATION

- **Gas Safety:** Ensure proper ventilation when operating the gas hob. Do not store flammable materials near the appliance. In case of a gas leak, immediately shut off the gas supply, open windows, and do not operate any electrical switches.
- **Flame Failure Device:** This hob is equipped with a flame failure safety device that automatically cuts off the gas supply if the flame extinguishes, preventing gas leaks.
- **Installation:** Installation must be performed by a qualified technician in accordance with local regulations and standards. Ensure adequate clearance around the hob as specified in the installation diagram.
- **Children Safety:** Keep children away from the hob during operation and while it is cooling down. The surfaces can remain hot after use.
- **Hot Surfaces:** Burners and pan supports become very hot during use. Always use oven mitts or appropriate tools when handling hot cookware or components.
- **Cleaning:** Disconnect the appliance from the power supply and ensure it has cooled down completely before cleaning.

PRODUCT OVERVIEW

The Siemens EP9B6QO90M gas hob features a sleek black glass surface with five high-performance burners and durable cast iron pan supports. The intuitive sword knobs provide precise control over flame intensity.

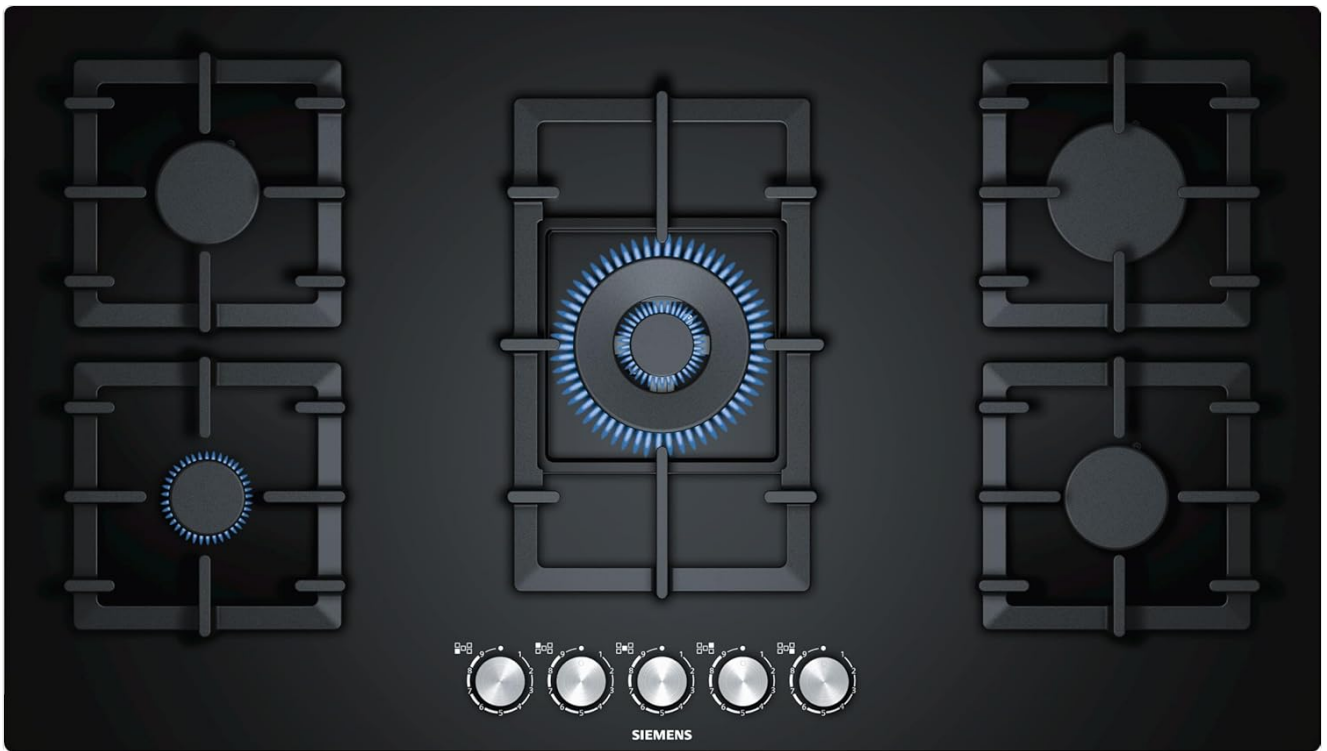


Figure 1: Top view of the Siemens EP9B6QO90M Built-in Gas Hob, showcasing its five burners and control knobs.

Components:

1. **Control Knobs:** Cylindrical sword knobs for flame adjustment and ignition.
2. **Burners:** Five Sabaf burners, including a powerful wok burner.
3. **Pan Supports:** Sturdy cast iron supports for various cookware sizes.
4. **Glass Surface:** Durable and easy-to-clean black glass surface.



Figure 2: A close-up view of one of the gas hob's burners, showing the blue flame and the robust cast iron pan support.

SETUP AND INSTALLATION

Proper installation is crucial for the safe and efficient operation of your gas hob. It must be installed by a certified professional. The hob is designed for built-in installation into a countertop.

Installation Requirements:

- **Countertop Material:** Suitable for natural stone, tiled, or wooden work surfaces.
- **Ventilation:** Ensure adequate ventilation in the kitchen area.
- **Gas Connection:** Must be connected to a natural gas supply by a qualified technician.
- **Electrical Connection:** Required for the electronic ignition system (230V).

Dimensions and Cut-out:

Refer to the diagram below for precise measurements for the countertop cut-out and clearances. All measurements are in millimeters (mm).

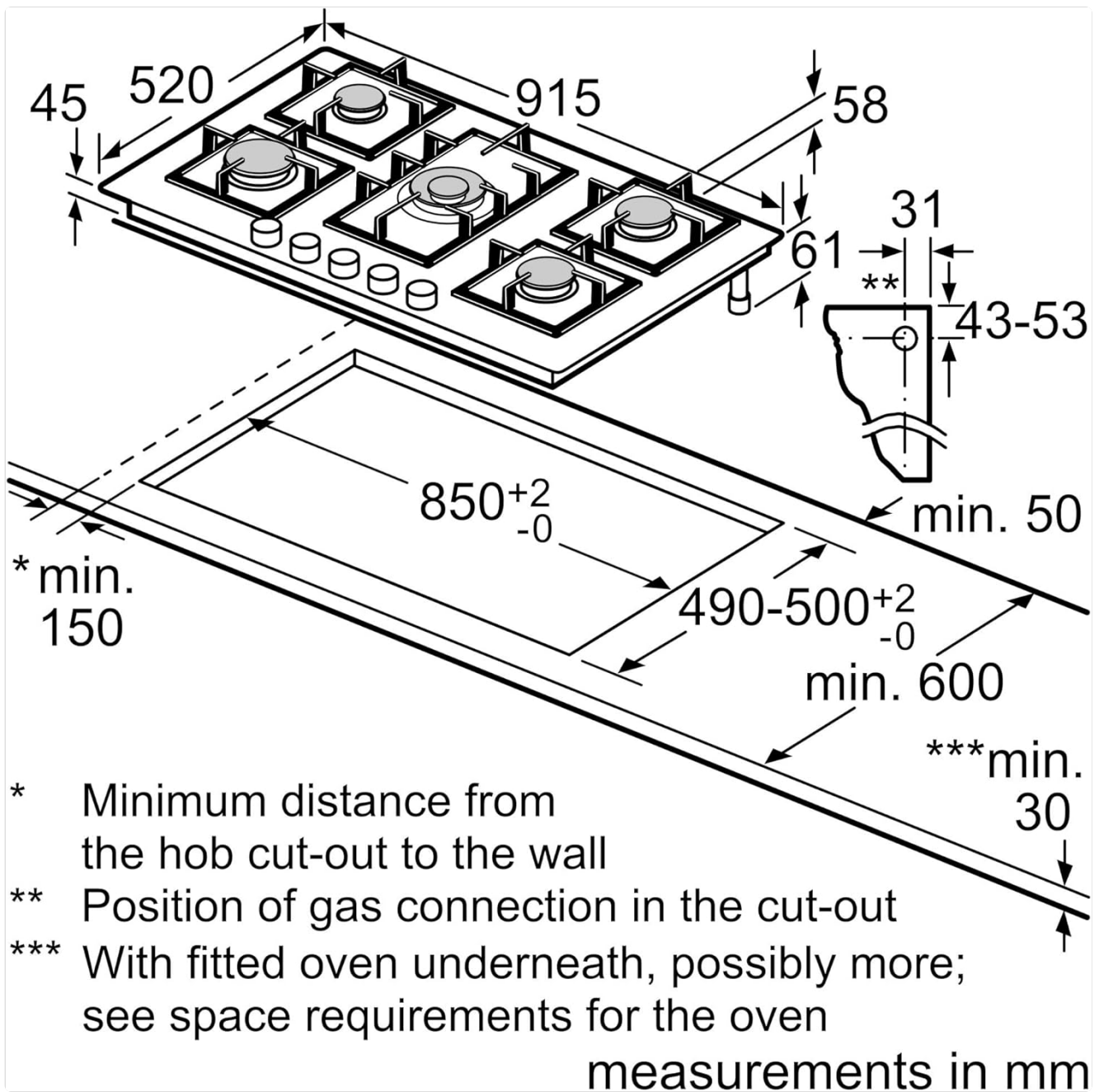


Figure 3: Detailed installation diagram showing the hob's dimensions and required countertop cut-out measurements. Key dimensions include a cut-out width of 850mm and depth of 490-500mm. Minimum distance from the hob cut-out to the wall is 150mm. Gas connection position is indicated within the cut-out area.

Cut-out Width: 850 mm

Cut-out Depth: 490-500 mm

Minimum Distance to Wall: 150 mm

Hob Dimensions (Overall): 51.99 cm (Depth) x 91.49 cm (Width) x 45.01 cm (Height)

OPERATING INSTRUCTIONS

Igniting a Burner:

1. Ensure all pan supports and burner caps are correctly placed.
2. Push down the desired control knob and turn it counter-clockwise to the maximum flame setting (large flame symbol).
3. Hold the knob down for a few seconds until the flame ignites and stabilizes. The integrated ignition system will automatically spark.
4. Once the flame is stable, release the knob. You can then adjust the flame intensity by turning the knob between the maximum and minimum flame settings.
5. If the flame goes out, the flame failure device will automatically cut off the gas supply. Repeat the ignition process.

Turning Off a Burner:

Turn the control knob clockwise until it clicks into the "off" position (dot symbol). Ensure the flame is completely extinguished.



Figure 4: A burner of the Siemens gas hob shown installed on a light-colored wooden countertop, highlighting its seamless integration.

MAINTENANCE AND CLEANING

Regular cleaning and maintenance will ensure the longevity and optimal performance of your Siemens gas hob.

General Cleaning:

- Always ensure the hob is cool and disconnected from the power supply before cleaning.
- Wipe the glass surface with a soft cloth and a mild detergent. Avoid abrasive cleaners or scouring pads that can scratch the surface.
- For stubborn stains, use a specialized ceramic hob cleaner.

Burners and Pan Supports:

- The cast iron pan supports can be removed for easier cleaning. They can be washed with warm soapy water.
- Clean the burner caps and crowns regularly to prevent blockages. Ensure they are completely dry before reassembling.
- Do not use harsh chemicals on burner components as this may damage them.

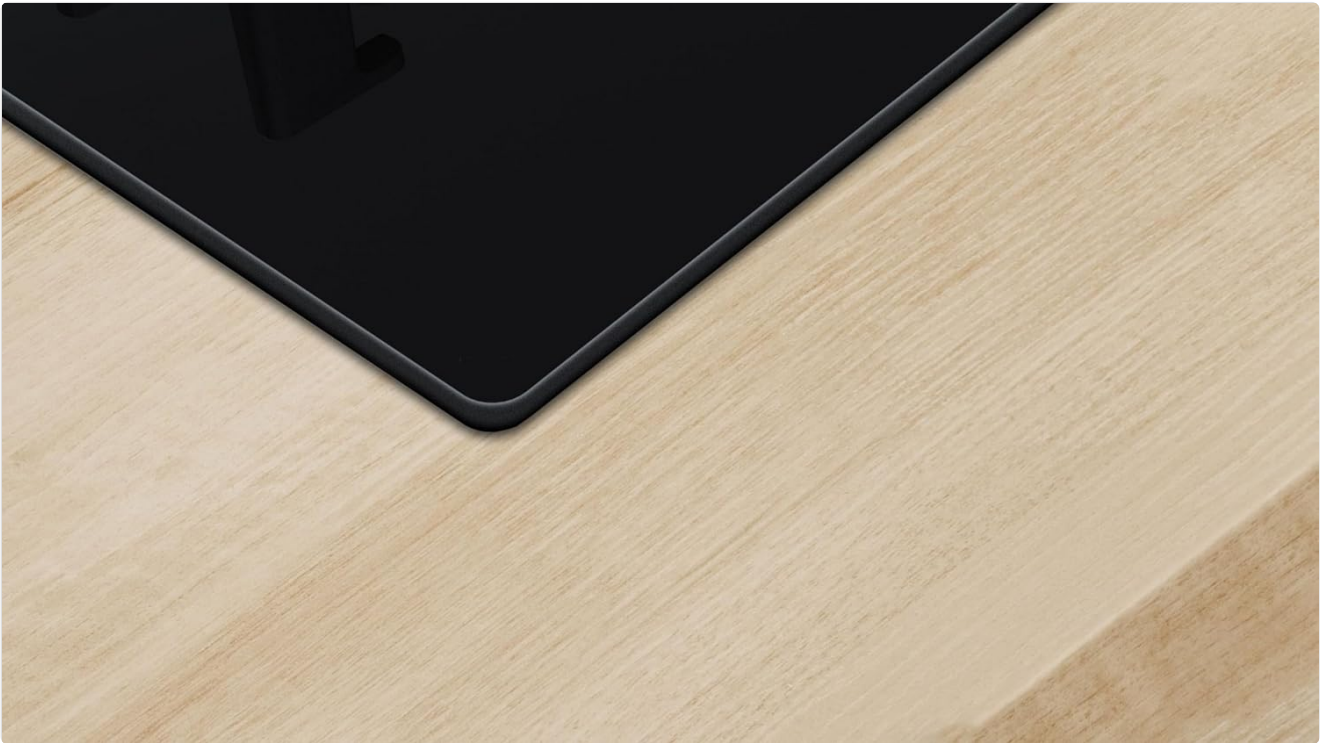


Figure 5: A detailed corner view of the hob's solid glass surface, emphasizing its smooth, easy-to-clean design.

TROUBLESHOOTING

Before contacting customer service, please refer to the following table for common issues and their solutions.

Problem	Possible Cause	Solution
Burner does not ignite.	No gas supply, power outage, burner components not correctly placed, clogged igniter.	Check gas supply. Ensure power is on. Re-seat burner caps and crowns. Clean igniter.
Flame is weak or uneven.	Clogged burner ports, incorrect gas pressure.	Clean burner ports. Contact a qualified technician to check gas pressure.

Problem	Possible Cause	Solution
Flame goes out after releasing knob.	Flame failure device not heating sufficiently, knob not held long enough.	Hold the knob down for a longer period (5-10 seconds) after ignition. Ensure the thermocouple is clean and directly in the flame.
Gas smell.	Gas leak.	Immediately shut off gas supply, open windows, and contact emergency services or a qualified technician. Do not operate electrical switches.

SPECIFICATIONS

Feature	Detail
Brand	Siemens
Model Number	EP9B6QO90M
Product Dimensions	51.99 cm (Depth) x 91.49 cm (Width) x 45.01 cm (Height)
Installation Type	Built-in / Surface Mounted
Special Features	Automatic Shut-off (Flame Failure Device)
Hob Type	Gas
Number of Heating Elements	5
Color	Black
Voltage	230 Volts
Power	4E+3 (4000 Watts / 4.0 kW Wok Burner)
Fuel Type	Natural Gas
Material Type	Stainless Steel (Surface), Cast Iron (Pan Supports)
Included Components	Cast iron pan supports, sword knobs
Item Weight	21.4 Kilograms

WARRANTY AND SUPPORT

Your Siemens EP9B6QO90M Built-in Gas Hob comes with a **3-year warranty** from the date of purchase. This warranty covers manufacturing defects and ensures reliable performance under normal household use.

For warranty claims, technical assistance, or to schedule a service appointment, please contact Siemens customer support. Keep your proof of purchase for warranty validation.

Customer Support: Please refer to the contact information provided with your purchase documentation or visit the official Siemens website for your region.

