

[Manuals.plus](#) /

> [VIVO](#) /

> VIVO Dual Monitor Mount and Under-Desk Keyboard Tray Kit Instruction Manual

VIVO B08BHB6GFP

VIVO Dual Monitor Mount and Under-Desk Keyboard Tray Kit Instruction Manual

Model: B08BHB6GFP



PRODUCT OVERVIEW

This VIVO bundle includes a dual monitor desk mount and an under-desk C-clamp keyboard tray, designed to enhance ergonomic viewing and typing angles. The monitor stand supports two screens ranging from 13 to 27 inches, each weighing up to 22 lbs, with VESA 75x75mm or 100x100mm mounting patterns. The keyboard tray attaches to desks up to 1.25 inches thick and supports up to 11 lbs, providing a slide-out platform for your keyboard and mouse.

SAFETY INFORMATION

- Read all instructions carefully before assembly and installation.
- Ensure your desk surface can support the combined weight of the mount, monitors, keyboard, mouse, and tray.
- Do not exceed the maximum weight capacity of 22 lbs per monitor arm and 11 lbs for the keyboard tray.
- Verify VESA compatibility (75x75mm or 100x100mm) for your monitors.
- Confirm desk thickness meets requirements: up to 4 inches for the monitor stand C-clamp and up to 1.25 inches for the keyboard tray C-clamps.
- Keep children and pets away during assembly.

SETUP AND INSTALLATION

Follow these steps for proper assembly and installation of your VIVO Dual Monitor Mount and Under-Desk Keyboard Tray Kit.

Monitor Mount Installation

1. **Attach C-clamp to Desk:** Secure the heavy-duty C-clamp to the back edge of your desk. Ensure the desk

thickness is between 0 and 4 inches. An optional grommet mount is also provided for alternative installation.

2. **Assemble Monitor Arms:** Attach the monitor arms to the center pole.
3. **Attach VESA Plates to Monitors:** Secure the detachable VESA plates to the back of your monitors using the provided screws. Ensure your monitors have VESA 75x75mm or 100x100mm mounting holes.
4. **Mount Monitors:** Slide the monitors with attached VESA plates onto the monitor arms. Tighten the security screws to prevent accidental dislodging.

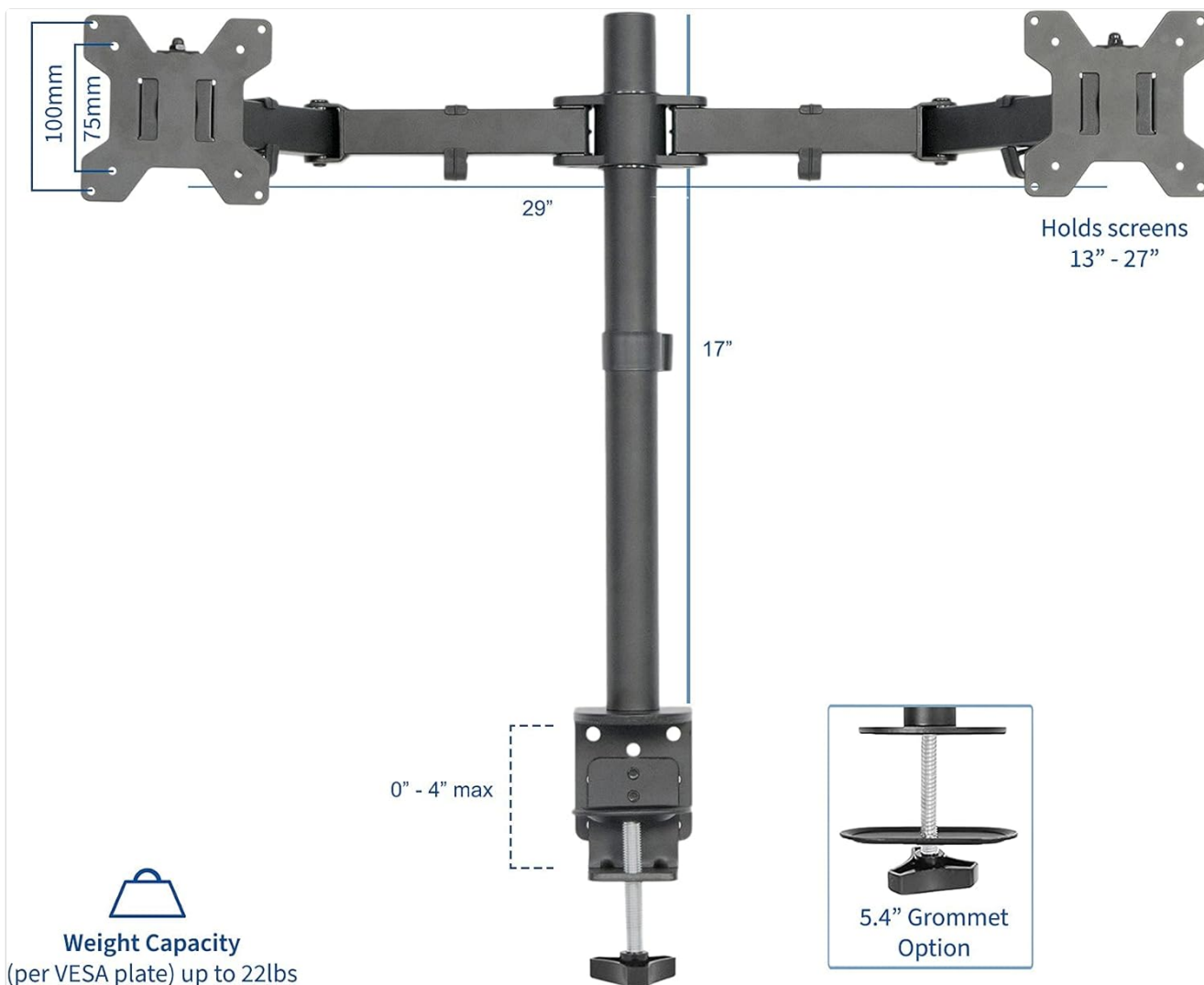


Figure 1: VIVO Dual Monitor Mount Dimensions and Specifications. This image illustrates the key measurements and VESA compatibility for the monitor stand, including the maximum desk thickness for the C-clamp.

Keyboard Tray Installation

1. **Assemble Tray Components:** Attach the sliding mechanism and clamps to the keyboard tray according to the instructions.
2. **Attach C-clamps to Desk:** Secure the two C-clamps of the keyboard tray to the underside of your desk. Ensure your desk thickness is between 0.5 inches and 1.25 inches. The total length from clamp to clamp is 32.5 inches, so ensure sufficient desk space.
3. **Verify Clearance:** Confirm that the keyboard tray has adequate height clearance (1.5 to 2.75 inches) and can slide freely.

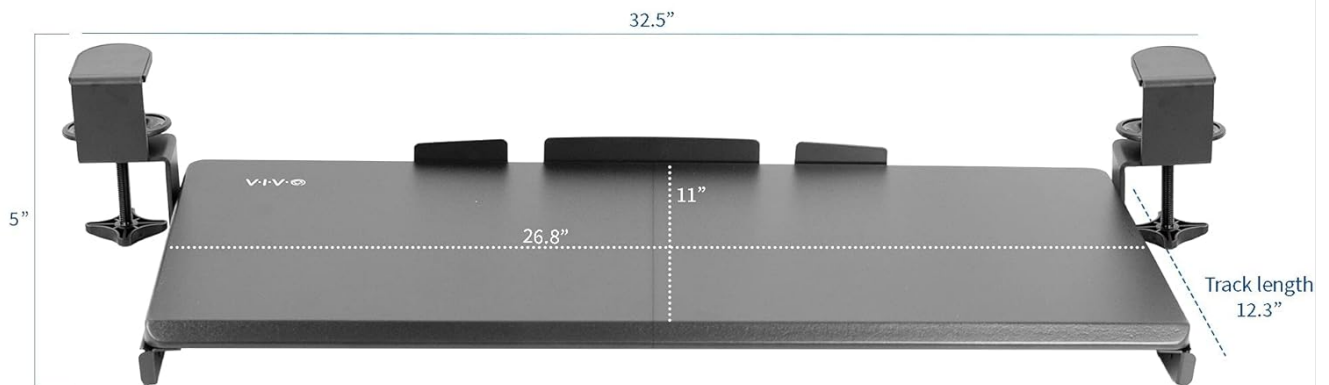
CLAMP-ON

Keyboard and Mouse Tray



Weight Capacity
11 lbs

Note: keyboard tray weighs 8.5 lbs



Easy Damage Free Installation (assembly required)

Fits desk thickness of 0.5" up
to a **maximum of 1.25"**

**** Not suitable** for desks that have a
beveled lip or front trim piece

Figure 2: VIVO Under-Desk Keyboard Tray Dimensions and Clearance. This image details the keyboard tray's measurements, including its sliding range and desk thickness compatibility.



Figure 3: Complete Desk Setup with VIVO Monitor Mount and Keyboard Tray. This image shows the product installed on a desk, providing an overview of the ergonomic workspace.

OPERATING INSTRUCTIONS

The VIVO Dual Monitor Mount and Keyboard Tray Kit offers extensive adjustability for optimal comfort and productivity.

Monitor Adjustment

- **Tilt:** Adjust monitors $+90^{\circ}$ to -90° vertically to reduce glare and optimize viewing angles.
- **Swivel:** Rotate monitors 180° horizontally to share your screen or change viewing direction.
- **Rotation:** Rotate monitors 360° to switch between portrait and landscape orientations.
- **Height Adjustment:** Adjust the height of the monitors along the center pole. An Allen wrench (provided) is required for height adjustments.

Easy Vertical & Horizontal Screen Positioning

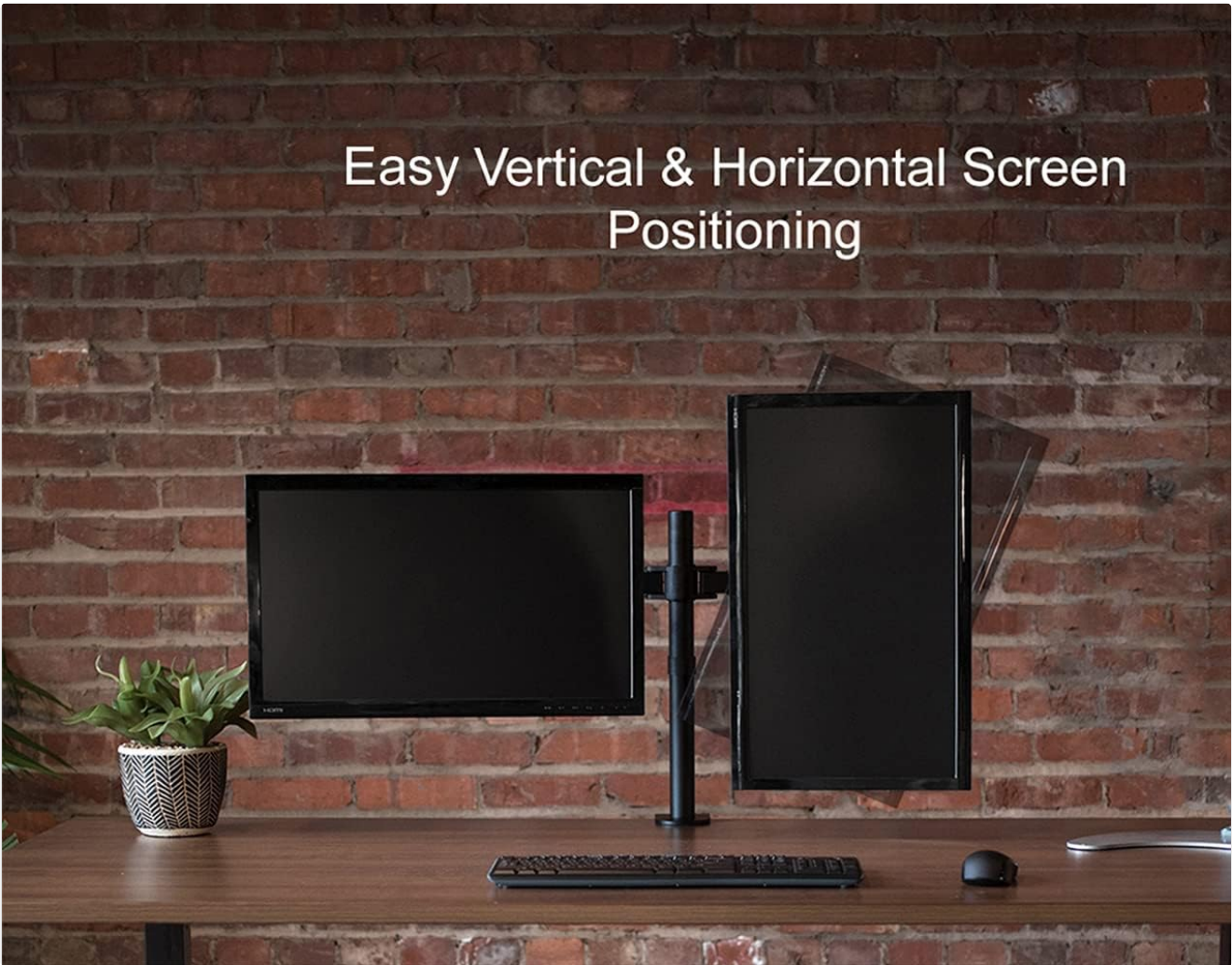


Figure 4: Vertical and Horizontal Screen Positioning. This image demonstrates the flexibility of the monitor arms to position screens in either landscape or portrait mode.

Keyboard Tray Operation

- **Slide In/Out:** The keyboard tray can be easily slid in and out from under the desk. It extends a maximum of 8.5 inches from the desk edge and slides under a total of 12.3 inches.
- **Typing Angle:** Position the tray at a comfortable distance for ergonomic typing.



Figure 5: Keyboard Tray Sliding Mechanism. This image highlights the functional sliding capability of the keyboard tray, showing its extension and retraction limits.

SPACIOUS WORKSURFACE

clear your desk space by adding a separate surface for your keyboard and mouse



Figure 6: Spacious Workspace with Keyboard Tray. This overhead view illustrates how the keyboard tray helps clear the main desk surface, creating a more organized and spacious work area.

MAINTENANCE

Regular maintenance ensures the longevity and optimal performance of your VIVO monitor mount and keyboard tray.

- **Cleaning:** Wipe surfaces with a soft, damp cloth. Avoid abrasive cleaners or solvents that may damage the finish.
- **Check Connections:** Periodically check all screws and clamps to ensure they remain tight and secure. Loose connections can affect stability and safety.
- **Cable Management:** Utilize the detachable cable clips on the monitor stand to keep power and AV cords organized and prevent tangling.

TROUBLESHOOTING

If you encounter issues with your VIVO monitor mount or keyboard tray, refer to the following common solutions.

- **Monitor Leaning/Sagging:**

- Ensure your monitor's weight does not exceed the 22 lbs per arm capacity.
- Verify all VESA plate screws and arm connections are securely tightened.

- **Keyboard Tray Not Sliding Smoothly:**

- Check for obstructions under the desk or along the sliding track.
- Ensure the C-clamps are properly aligned and not overtightened, which could warp the track.

- **Product Does Not Fit Desk:**

- Confirm your desk thickness is within the specified range: 0-4 inches for the monitor stand and 0.5-1.25 inches for the keyboard tray.
- Ensure your desk does not have a beveled lip or front trim piece that would interfere with the C-clamps.

- **Monitors Not Attaching:**

- Verify your monitors are VESA compatible (75x75mm or 100x100mm).
- Ensure the correct screws are used for your monitor's VESA holes.

SPECIFICATIONS

Feature	Specification
Brand	VIVO
Model Number	B08BHB6GFP
Mounting Type	Tabletop Mount (C-clamp or Grommet)
Monitor Size Compatibility	13 to 27 inches (per screen)
Monitor Weight Capacity	Up to 22 lbs (per screen)
VESA Compatibility	75x75mm, 100x100mm
Monitor Movement	Rotate, Swivel, Tilt (+90° to -90°), Height Adjustment
Monitor Stand Desk Thickness	Up to 4 inches
Keyboard Tray Dimensions	26.8" x 11" (tray surface), 32.5" (total length including clamps)
Keyboard Tray Weight Capacity	Up to 11 lbs
Keyboard Tray Desk Thickness	0.5" to 1.25"
Keyboard Tray Extension	Slides out 8.5", slides under 12.3"
Color	Black

WARRANTY INFORMATION

This VIVO Dual Monitor Mount and Under-Desk Keyboard Tray Kit is backed by a **3-year manufacturer warranty**

from the date of purchase. This warranty covers defects in materials and workmanship under normal use. Please retain your proof of purchase for warranty claims.

CUSTOMER SUPPORT

For any questions, concerns, or assistance with assembly, installation, or troubleshooting, please contact VIVO customer support. Refer to the contact information provided with your product packaging or visit the official VIVO website for support resources.

