

Caixun EC43S1UA

Caixun EC43S1UA 43-inch 4K UHD HDR Smart TV User Manual

Model: EC43S1UA

1. INTRODUCTION

This manual provides detailed instructions for setting up, operating, and maintaining your Caixun EC43S1UA 43-inch 4K UHD HDR Smart TV. Please read this manual thoroughly before using your television to ensure proper operation and to maximize your viewing experience.



Image 1.1: Front view of the Caixun EC43S1UA 43-inch 4K UHD HDR Smart TV.

2. WHAT'S IN THE BOX

Upon unpacking, please verify that all the following items are included:

- Caixun EC43S1UA 43-inch 4K UHD HDR Smart TV
- Remote Control
- User Manual (this document)
- 1-Year Warranty Card
- Power Cable
- TV Stands (if not wall-mounted)
- Screws for TV Stands

3. SETUP

3.1 Attaching the TV Stands

If you are not wall-mounting your television, attach the included stands to the bottom of the TV. Ensure the stands are securely fastened with the provided screws. Refer to the diagram below for stand placement and dimensions.

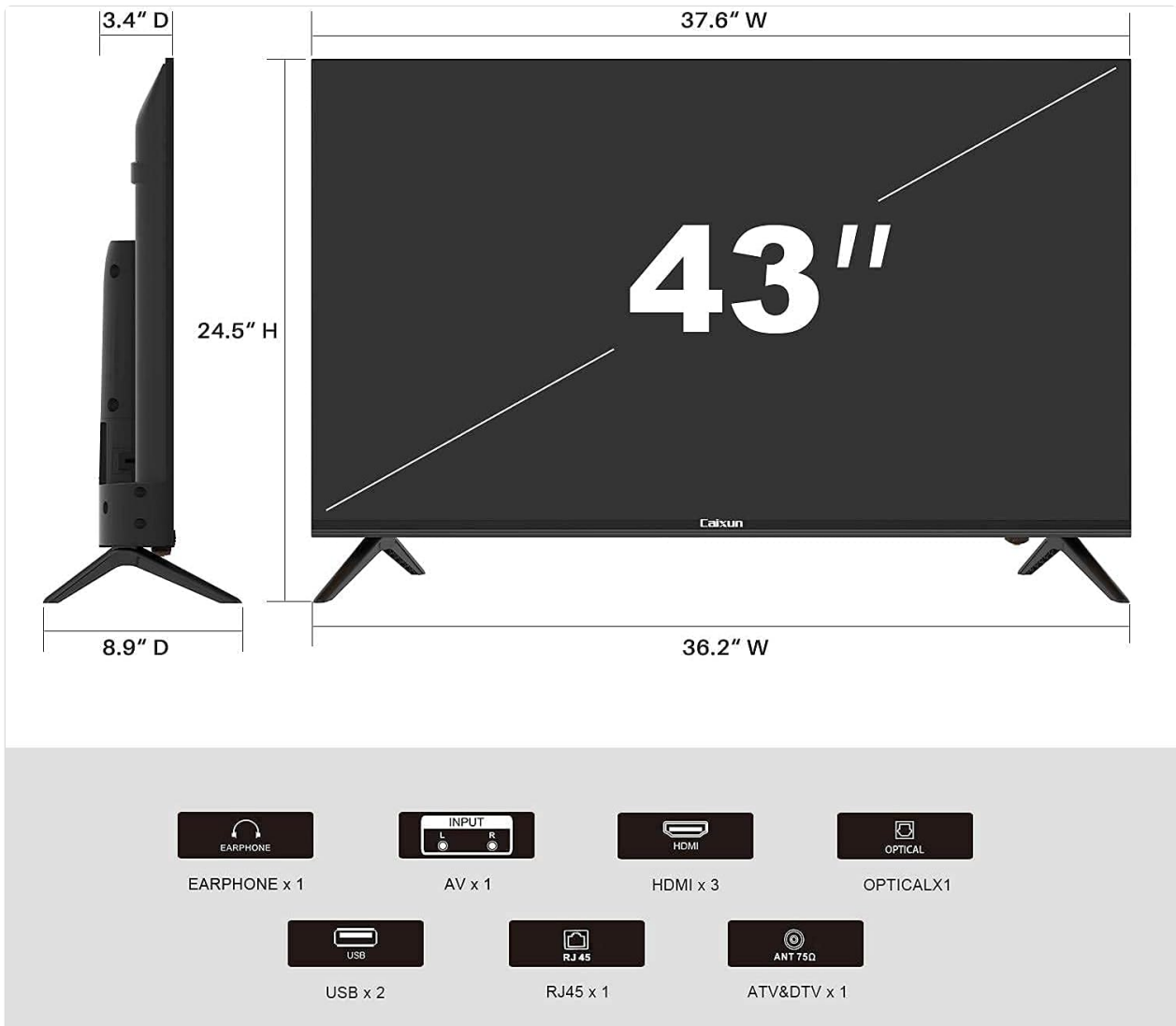
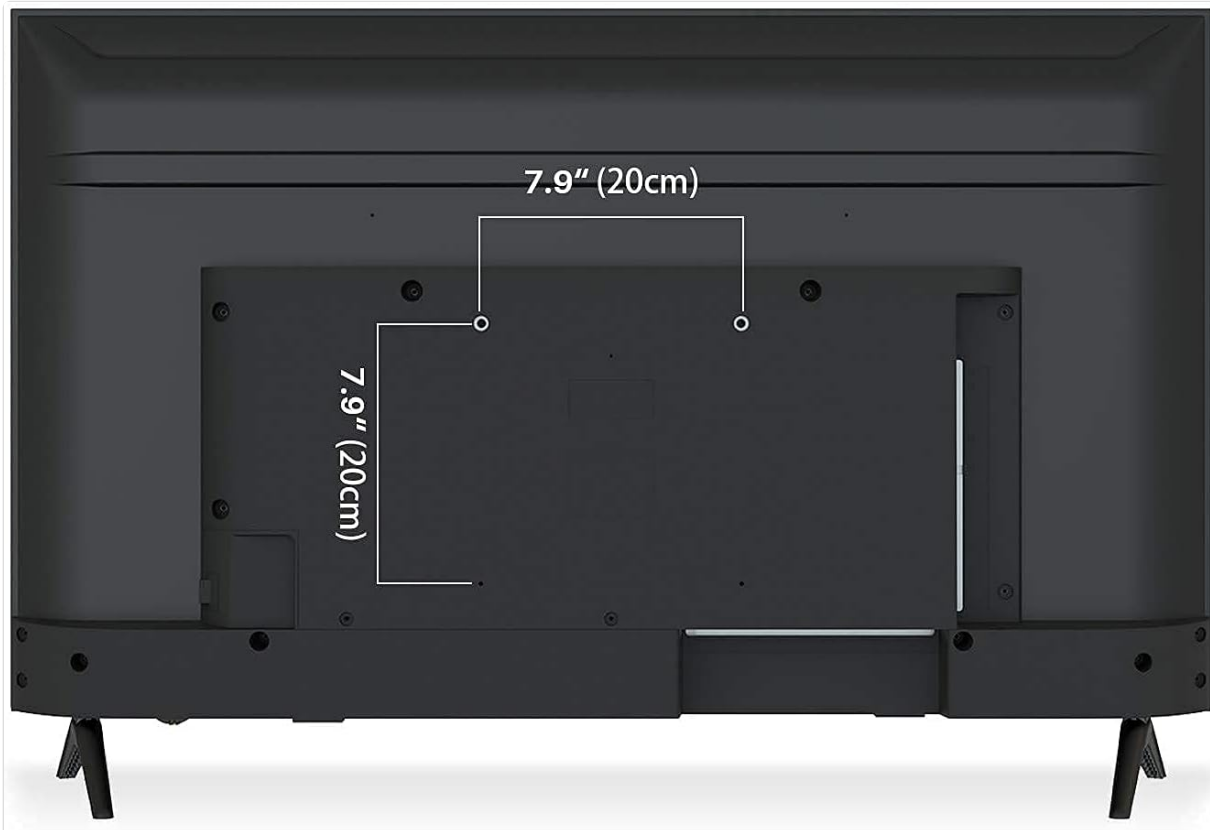


Image 3.1: TV dimensions and port locations. Note the stand attachment points at the bottom.

3.2 Wall Mounting (Optional)

The Caixun EC43S1UA TV supports VESA wall mounts. A wall mount bracket is not included and must be purchased separately. Ensure the wall mount is compatible with the TV's VESA pattern and weight. The VESA mounting pattern for this model is 200mm x 200mm (7.9 inches x 7.9 inches).



*Wall Mount Bracket Not Include

Image 3.2: Rear view of the TV showing VESA mounting points (7.9" x 7.9" or 20cm x 20cm).

3.3 Connecting External Devices

Your TV offers various ports for connecting external devices such as gaming consoles, Blu-ray players, sound systems, and USB storage devices. Refer to the diagram below for port locations and types.

- **HDMI (x3):** For high-definition audio and video input from devices like cable boxes, game consoles, or media players.
- **USB (x2):** For connecting USB storage devices to play media files or for software updates.
- **AV Input (x1):** For connecting older devices using composite video and stereo audio cables.
- **RJ45 (Ethernet x1):** For a wired internet connection.
- **Optical (x1):** For digital audio output to a soundbar or home theater system.
- **Earphone (x1):** For connecting headphones.
- **ATV&DTV (Antenna x1):** For connecting an antenna for over-the-air broadcasts.



Image 3.3: Diagram illustrating various connectivity options for the TV, including HDMI, USB, and other inputs.

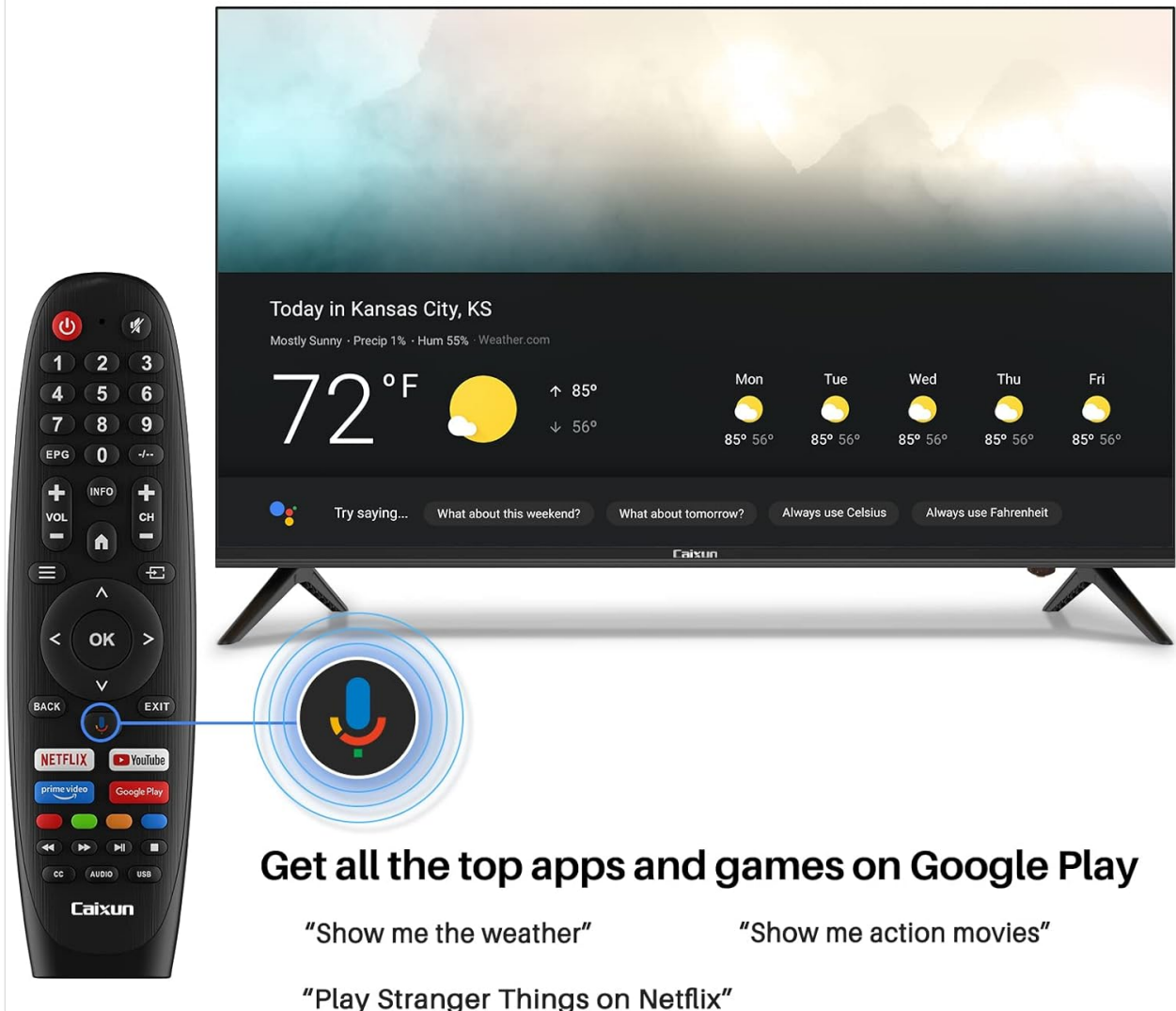
3.4 Initial Power-On and Network Setup

1. Connect the power cable to the TV and a power outlet.
2. Press the power button on the remote control or on the TV.
3. Follow the on-screen instructions to complete the initial setup, including language selection, time zone, and network connection (Wi-Fi or Ethernet).
4. If connecting to Wi-Fi, select your network and enter the password.

4. OPERATING YOUR TV

4.1 Remote Control Functions

The included remote control provides access to all TV functions. It features dedicated buttons for popular streaming services and a Google Assistant button for voice commands.



Get all the top apps and games on Google Play

"Show me the weather"

"Show me action movies"

"Play Stranger Things on Netflix"

Image 4.1: The TV remote control, highlighting the Google Assistant button and quick access buttons for streaming services.

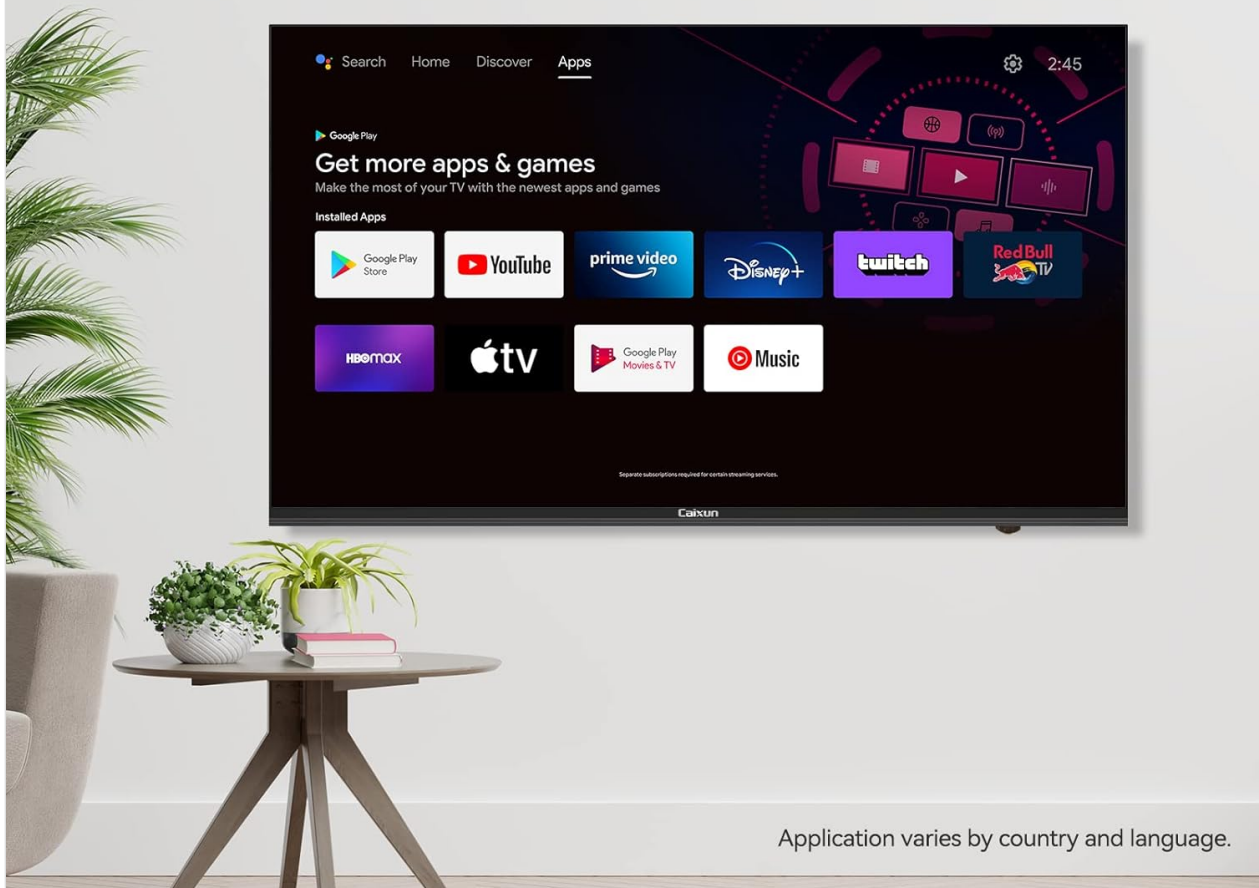
- **Power Button:** Turns the TV on or off.
- **Number Buttons:** For direct channel selection.
- **Volume Up/Down:** Adjusts the sound level.
- **Channel Up/Down:** Changes TV channels.
- **Navigation Buttons (Up/Down/Left/Right/OK):** Navigate menus and select options.
- **Back:** Returns to the previous screen or menu.
- **Home:** Accesses the Smart TV home screen.
- **Google Assistant Button:** Activates voice control for searching content, controlling smart home devices, and more.
- **Quick Access Buttons:** Direct access to applications like Netflix and YouTube.

4.2 Smart TV Features (Android TV)

Your Caixun TV runs on the Android TV operating system, providing access to a wide range of applications and features.



Get all the top apps and games on Google Play



Application varies by country and language.

Image 4.2: The Google Play interface on the TV, showing available applications and games.

- **Google Play Store:** Download and install additional apps, games, and content.
- **Pre-installed Apps:** Access popular streaming services such as Netflix, YouTube, and Prime Video directly from the home screen.
- **Google Assistant:** Use voice commands for various functions.
- **Chromecast built-in:** Stream content from your phone, tablet, or laptop directly to the TV.

4.3 Using Google Assistant (Voice Control)

Press the Google Assistant button on your remote control to activate voice commands. Speak clearly into the remote to search for movies, shows, get recommendations, control smart home devices, check the weather, and more.



Image 4.3: Illustration of using the Google Assistant voice control feature with the remote.

4.4 Chromecast built-in

With Chromecast built-in, you can easily cast videos, photos, and music from compatible apps on your mobile device or computer to your TV screen. Ensure your device and TV are connected to the same Wi-Fi network.

Chromecast built-in™

Stream the entertainment you love from your phone, tablet or laptop to your TV.



Image 4.4: A smartphone displaying content being cast to the TV using Chromecast built-in.

4.5 Picture Quality (4K UHD and HDR)

The Caixun EC43S1UA features 4K Ultra HD resolution (3840x2160) and supports HDR10 (High Dynamic Range). This combination delivers enhanced clarity, vibrant colors, and improved contrast, especially in scenes with both bright and dark elements.

High Dynamic Range

4K Ultra-high resolution and HDR video content combine to bring clear visual detail, color and contrast, even in dark scenes.



Image 4.5: Comparison of Standard Dynamic Range (SDR) and High Dynamic Range (HDR) picture quality on the TV.

5. MAINTENANCE

5.1 Cleaning the TV

- Always unplug the TV before cleaning.
- Use a soft, dry cloth to wipe the screen and cabinet.
- For stubborn marks, lightly dampen the cloth with water or a mild, non-abrasive screen cleaner. Do not spray cleaner directly onto the screen.
- Avoid using harsh chemicals, abrasive pads, or solvents as they can damage the TV's surface.

5.2 General Care

- Do not block ventilation openings on the back of the TV.
- Keep the TV away from direct sunlight, heat sources, and excessive dust.
- Avoid placing heavy objects on top of the TV.
- If moving the TV, ensure it is properly supported to prevent damage.

6. TROUBLESHOOTING

If you encounter issues with your TV, refer to the following common solutions:

Problem	Possible Solution
---------	-------------------

Problem	Possible Solution
No power	<p>Ensure the power cable is securely plugged into both the TV and the wall outlet.</p> <p>Check if the power outlet is working by plugging in another device.</p> <p>Try pressing the power button on the TV itself, not just the remote.</p>
No picture, but sound is present	<p>Verify the correct input source is selected (e.g., HDMI 1, AV).</p> <p>Check the cable connections between the TV and the external device.</p> <p>Try restarting the external device.</p>
Remote control not working	<p>Replace the batteries in the remote control.</p> <p>Ensure there are no obstructions between the remote and the TV's IR sensor.</p> <p>Re-pair the remote if it's a Bluetooth remote (refer to TV settings for pairing instructions).</p>
Cannot connect to Wi-Fi	<p>Ensure your Wi-Fi router is on and functioning correctly.</p> <p>Check the Wi-Fi password for accuracy.</p> <p>Move the TV closer to the router or consider a wired Ethernet connection.</p> <p>Restart both the TV and the router.</p>

7. SPECIFICATIONS

Feature	Detail
Brand	Caixun
Model Number	EC43S1UA
Screen Size	43 Inches
Display Technology	LED
Resolution	4K UHD (3840x2160)
Refresh Rate	60 Hz
High Dynamic Range (HDR)	HDR10 Compatible
Operating System	Android TV
Special Features	Chromecast built-in, Google Assistant
Connectivity Technology	Wireless (Wi-Fi, Bluetooth), HDMI (x3), USB (x2), Ethernet (RJ45), Optical, AV Input, Antenna (ATV&DTV)
Supported Internet Services	Google TV, Hulu, Netflix, Vudu, YouTube, Prime Video, Google Play
Aspect Ratio	16:9

Feature	Detail
Product Dimensions (L x W x H)	37.7 x 22.1 x 3.5 inches (without stand)
Item Weight	16.5 Pounds
Output Wattage	80 Watts
Voltage	120 Volts (AC)
VESA Mount Pattern	200mm x 200mm (7.9" x 7.9")

8. WARRANTY AND SUPPORT

8.1 Warranty Information

Your Caixun EC43S1UA TV comes with a 1-Year Warranty. Please refer to the included Warranty Card for detailed terms and conditions. Keep your proof of purchase for warranty claims.

8.2 Customer Support

For further assistance, technical support, or warranty inquiries, please contact Caixun customer service. Contact information can typically be found on the warranty card or the official Caixun website.