

SMALLRIG 2732B

SMALLRIG Super Clamp and 10-inch Articulating Magic Arm

Model: 2732B

Brand: SMALLRIG

1. INTRODUCTION

The SMALLRIG Super Clamp and 10-inch Articulating Magic Arm (Model 2732B) is a versatile accessory designed for securely mounting various camera equipment such as LCD monitors, LED lights, microphones, and small cameras. Constructed from durable aluminum alloy and stainless steel, this system provides flexible positioning with its 360-degree adjustable articulating arm and a robust super clamp.

This manual provides essential information for the proper setup, operation, and maintenance of your SMALLRIG Magic Arm and Super Clamp.

2. PRODUCT OVERVIEW

The SMALLRIG 2732B combines a super clamp with an articulating magic arm, offering a comprehensive solution for mounting accessories. The arm features 1/4" screws at both ends for broad compatibility, while the super clamp provides a secure grip on various surfaces.

Key Features:

- **Durable Construction:** Made from high-quality aluminum alloy and stainless steel for robustness and longevity.
- **Enhanced Rubber Pads:** The updated design integrates rubber rings at both ends of the magic arm to prevent detachment and protect mounted equipment from scratches.
- **360° Rotation:** Dual ball head articulating design allows for precise 360-degree angle adjustments.
- **Versatile Mounting:** Equipped with 1/4"-20 screws on the magic arm and 1/4"-20 and 3/8"-16 threaded holes on the super clamp for wide compatibility with monitors, lights, microphones, and cameras.
- **Wide Clamp Opening:** The super clamp can open from 15mm to 40mm, allowing attachment to various rods, desks, and other surfaces.

Affichage des Détails du Produit



Figure 2.1: Overview of the SMALLRIG Super Clamp and 10-inch Articulating Magic Arm, showing its main components.



Figure 2.2: The articulating arm attached to a camera, demonstrating the protective rubber pads on the ball heads.

3. SETUP INSTRUCTIONS

Follow these steps to set up your SMALLRIG Super Clamp and Articulating Magic Arm:

1. **Unpack Components:** Carefully remove the magic arm and super clamp from their packaging.

2. **Attach Magic Arm to Super Clamp:** The magic arm typically connects to the super clamp via a 1/4"-20 screw. Ensure the connection is secure by tightening the knob on the super clamp.
3. **Mount Super Clamp:** Identify a stable surface (e.g., tripod leg, desk edge, rod) to attach the super clamp. Rotate the T-handle screw on the super clamp to open its jaws. Position the clamp around the desired surface and tighten the T-handle until it is firmly secured. The clamp can accommodate surfaces between 15mm and 40mm in thickness or diameter.
4. **Attach Accessories:** Use the 1/4"-20 screws on either end of the magic arm to attach your monitor, LED light, microphone, or other compatible accessories. Ensure these connections are hand-tightened for stability.

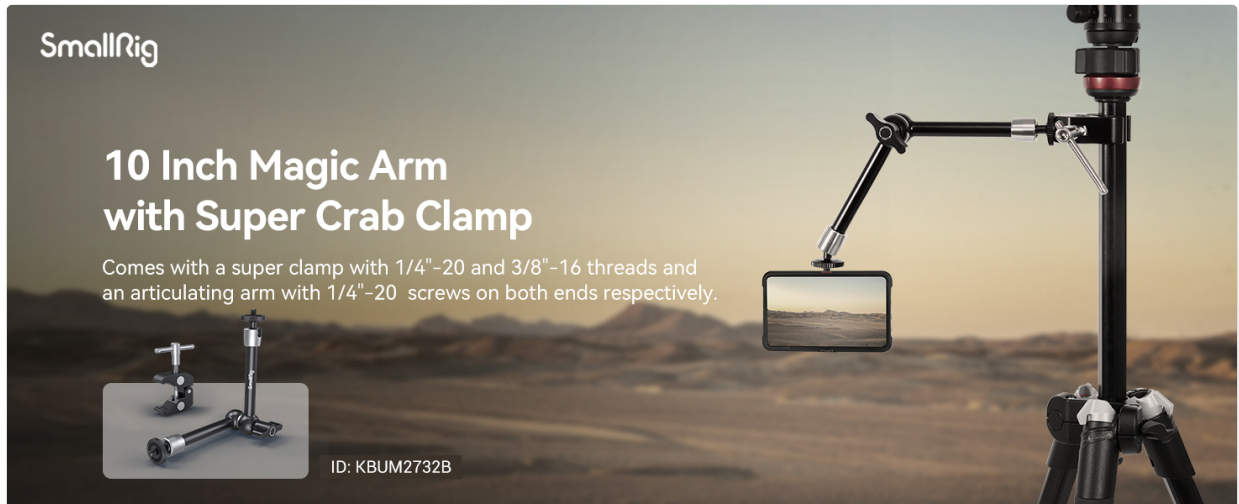


Figure 3.1: Example setup showing the articulating arm and super clamp mounted on a tripod, supporting a monitor.

4. OPERATING INSTRUCTIONS

The SMALLRIG Magic Arm is designed for flexible positioning. Understanding its locking mechanism is key to effective use:

- **Single Locking Knob:** The entire magic arm is controlled by a single wingnut knob located in the middle. When this knob is loosened, all three ball joints of the arm can move freely, allowing for full articulation.
- **Adjusting Position:** To adjust the position of your mounted equipment, loosen the central wingnut knob. Carefully move the arm and attached device to the desired angle and orientation.
- **Securing Position:** Once the desired position is achieved, tighten the central wingnut knob firmly. This action simultaneously locks all three ball joints, securing the arm and preventing movement.
- **Super Clamp Adjustment:** The super clamp's T-handle allows for quick attachment and detachment. Ensure it is always tightened securely to prevent accidental drops of your equipment.

Important Note: Always ensure the central knob is fully tightened before leaving your equipment unattended. Failure to do so may result in equipment damage.

Écrou Papillon Réglable à 360°

La position peut être ajustée via l'écrou à 360°

selon votre besoin



Figure 4.1: The articulating arm showcasing its 360-degree rotational capability at each joint.

Largeur d'Ouverture: 15mm à 40mm

Conçu pour s'adapter à n'importe quelle tige de 15 à 44 mm

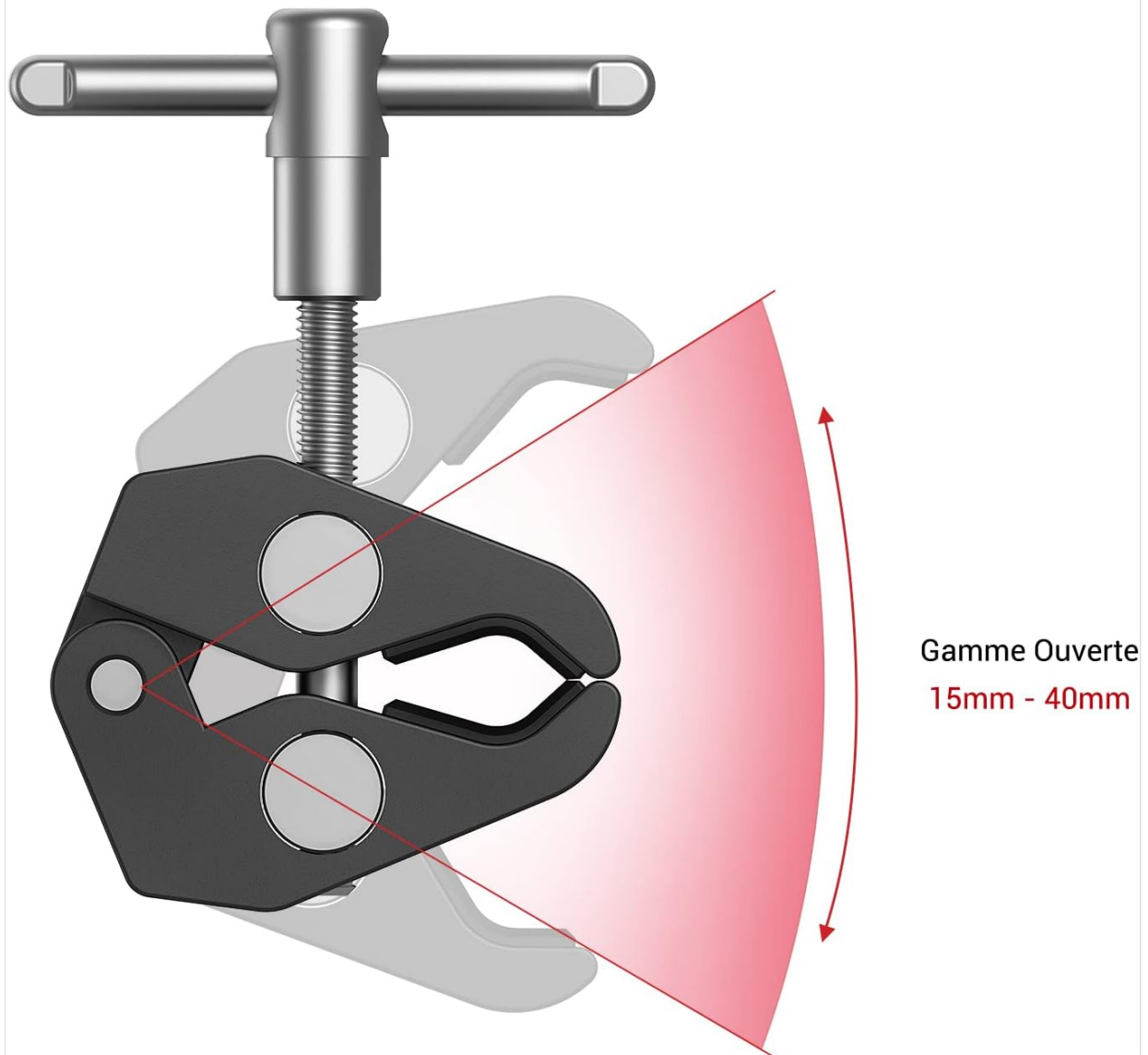


Figure 4.2: The super clamp illustrating its adjustable opening range for various mounting surfaces.

5. MAINTENANCE

To ensure the longevity and optimal performance of your SMALLRIG Super Clamp and Articulating Magic Arm, follow these maintenance guidelines:

- **Cleaning:** Wipe the metal surfaces with a soft, dry cloth to remove dust and debris. For stubborn dirt, use a slightly damp cloth and dry thoroughly immediately. Avoid abrasive cleaners or solvents.
- **Lubrication:** The articulating joints are designed for smooth operation and generally do not require lubrication. If movement becomes stiff, contact customer support for advice.
- **Inspect Rubber Pads:** Periodically check the rubber pads on the ball heads and inside the super clamp for wear or damage. These pads are crucial for protecting your equipment and ensuring a secure grip.
- **Storage:** Store the product in a clean, dry environment away from extreme temperatures and humidity when not in use.

6. TROUBLESHOOTING

If you encounter any issues with your SMALLRIG Super Clamp and Articulating Magic Arm, refer to the following common problems and solutions:

Problem	Possible Cause	Solution
Arm does not hold position / Slips easily	Central wingnut knob is not tightened sufficiently. Exceeded maximum load capacity.	Ensure the central wingnut knob is tightened firmly. Verify that the total weight of the mounted equipment does not exceed the maximum recommended load of 1.5 kg.
Super clamp slips or does not grip	T-handle not tightened. Mounting surface is too smooth or outside clamp's range. Rubber pads are worn or missing.	Tighten the T-handle securely. Ensure the mounting surface is within the 15mm-40mm range. Check rubber pads for damage; contact support if replacement is needed.
Rubber pads detach from ball heads	Wear and tear or manufacturing defect (less likely with updated design).	The current version features integrated rubber rings to prevent this. If this occurs, contact SMALLRIG customer support for assistance.

If you experience issues not listed here, please contact SMALLRIG customer support for further assistance.

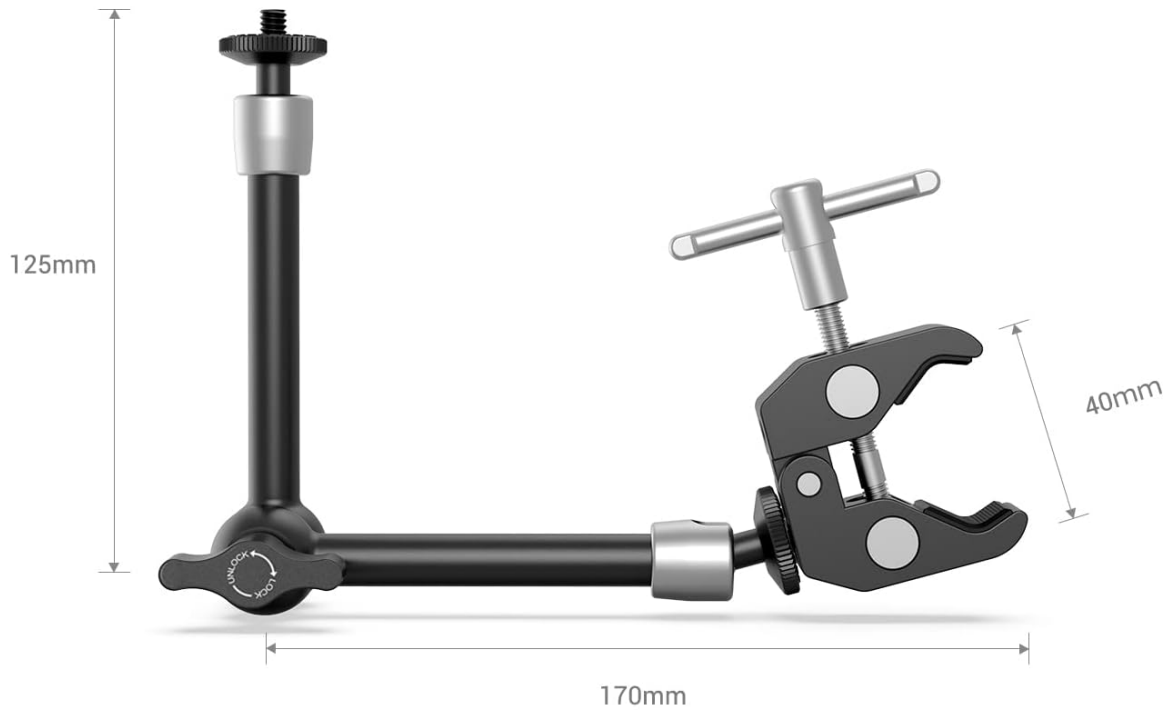
7. SPECIFICATIONS

- **Model Number:** 2732B (also referred to as 2732-CF)
- **Material:** Aluminum Alloy, Stainless Steel
- **Color:** Black
- **Product Dimensions (L x W x H):** Approximately 0.4P x 17l x 12.5H centimeters (folded/compact)
- **Item Weight:** 333 Grams
- **Maximum Recommended Load:** 1.5 Kilograms
- **Super Clamp Opening Range:** 15mm to 40mm
- **Mounting Threads:** 1/4"-20 (on arm and clamp), 3/8"-16 (on clamp)
- **Compatible Devices:** Camera, Monitor, LED Lights, Microphones, GoPro HERO10 Black, etc.

Le Forfait Comprend

Bras Magique à Rotule × 1

Super Clamp × 1



Paramètre de Produit

Marque :
SmallRig

Poids Net :
345g

Matériel :
Alliage d'aluminium

ID :
KBUM2732B

Figure 7.1: Detailed diagram illustrating the dimensions and individual components of the product.

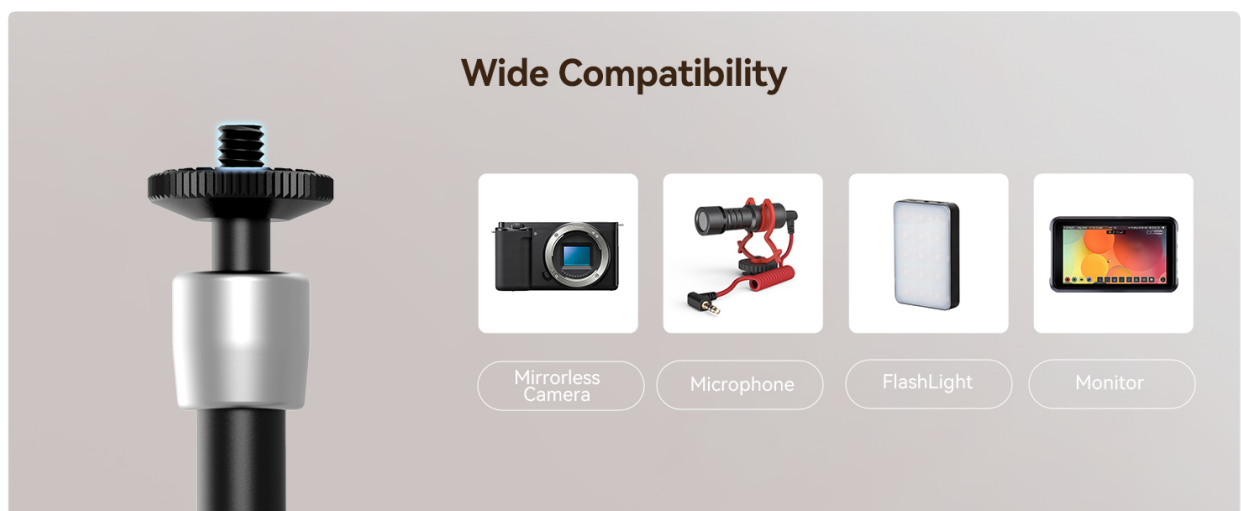


Figure 7.2: Visual representation of the wide compatibility with different types of equipment.

8. WHAT'S IN THE BOX

The package for the SMALLRIG Super Clamp and 10-inch Articulating Magic Arm (Model 2732B) includes:

- 1 x Articulating Magic Arm
- 1 x Super Clamp

9. WARRANTY AND SUPPORT

SMALLRIG products are manufactured to high-quality standards. For warranty information, technical support, or any inquiries regarding your product, please visit the official SMALLRIG website or contact their customer service directly. You can also visit the [SMALLRIG Brand Store on Amazon](#) for more information.