

[Manuals.plus](#) /

› [HANNLOMAX](#) /

› HANNLOMAX HX-137CR Alarm Clock Radio User Manual

HANNLOMAX HX-137CR

HANNLOMAX HX-137CR Alarm Clock Radio User Manual

Model: HX-137CR

1. INTRODUCTION

Thank you for purchasing the HANNLOMAX HX-137CR Alarm Clock Radio. This device combines a digital clock with a PLL AM/FM radio, dual alarm functions, and a clear 0.9-inch LED display. This manual provides detailed instructions for setup, operation, and maintenance to ensure optimal performance and longevity of your product. Please read this manual thoroughly before use and retain it for future reference.



Image: Front view of the HANNLOMAX HX-137CR Alarm Clock Radio, showcasing its blue LED display.

2. SAFETY INSTRUCTIONS

- **Power Source:** This unit operates on AC power only. Ensure the voltage matches the requirements specified on the unit.
- **Ventilation:** Do not block any ventilation openings. Allow adequate space around the unit for proper airflow.
- **Water and Moisture:** Do not expose the unit to rain, moisture, or dripping/splashing liquids. Keep it away from water sources like bathtubs, sinks, or swimming pools.
- **Heat:** Do not place the unit near heat sources such as radiators, heat registers, stoves, or other heat-producing appliances.
- **Cleaning:** Unplug the unit from the power outlet before cleaning. Use a soft, dry cloth. Do not use liquid cleaners or aerosol cleaners.
- **Servicing:** Do not attempt to service this product yourself. Refer all servicing to qualified service personnel.
- **Placement:** Place the unit on a stable, flat surface to prevent it from falling.

3. PRODUCT FEATURES

The HANNLOMAX HX-137CR is equipped with the following key features:

- **PLL AM/FM Radio with Preset Stations:** Easily locate and store your favorite AM/FM radio stations with digital scanning and preset functions. An external FM antenna is included to enhance reception.
- **Digital Clock with Dual Alarms:** Set two independent alarms to wake up to either a buzzer or your preferred radio station.
- **0.9" LED Display:** A clear and bright LED display provides excellent visibility of the time and settings.
- **Memory Backup:** In the event of a power outage, the memory backup function (requires 2 x AAA batteries, not included) preserves your time and alarm settings, eliminating the need to reconfigure them when power is restored.
- **Sleep Timer:** Enjoy falling asleep to the radio with the programmable sleep timer, which automatically turns off the radio after a set duration.
- **Snooze Function:** Temporarily suspend an active alarm for 9 minutes by pressing the SNOOZE button.

ALARM CLOCK RADIO



PLL AM/FM Radio

Digital Clock

Dual Alarm

0.9" Blue LED Display

Sleep Timer

AC Operation

Image: The alarm clock radio with a visual representation of its main features: PLL AM/FM Radio, Digital Clock, Dual Alarm, 0.9" Blue LED Display, Sleep Timer, and AC Operation.

4. PACKAGE CONTENTS

Please check the package for the following items:

- HANNLOMAX HX-137CR Alarm Clock Radio Unit
- AC Power Adapter
- User Manual (this document)

If any items are missing or damaged, please contact your retailer for assistance.

5. CONTROLS AND DISPLAY

Familiarize yourself with the buttons and display indicators on your alarm clock radio:



Image: Top-down view of the alarm clock radio, showing the display and control buttons.

Front Panel / Top Panel Controls:

- **0.9" LED Display:** Shows current time, AM/PM indicator, and alarm status.
- **TIME/MEM Button:** Used to set the clock time and save radio presets.
- **HR (Hour) Button:** Adjusts the hour during time/alarm setting.
- **MIN (Minute) Button:** Adjusts the minute during time/alarm setting.
- **AL1/AL2 Button:** Selects and sets Alarm 1 or Alarm 2.
- **AL.VOL- / AL.VOL+ Buttons:** Adjusts the alarm volume.
- **SLEEP/SNOOZE Button:** Activates the sleep timer or temporarily silences an alarm.
- **ON/OFF Button:** Powers the radio on or off.
- **BAND Button:** Switches between AM and FM radio bands.
- **TUNE- / TUNE+ Buttons:** Tunes radio frequency up or down.

Display Indicators:

- **PM Indicator:** Lights up when the time is PM.
- **AL1-B / AL1-R:** Indicates Alarm 1 is set to Buzzer or Radio.
- **AL2-B / AL2-R:** Indicates Alarm 2 is set to Buzzer or Radio.

6. SETUP

6.1 Power Connection

1. Plug the AC power adapter into the DC IN jack located on the back of the unit.
2. Plug the other end of the AC power adapter into a standard wall outlet (AC 120V ~ 60Hz).

3. The unit is now powered on. The display will flash, indicating the time needs to be set.

6.2 Battery Backup Installation

The battery backup feature requires 2 x AAA batteries (not included). These batteries maintain the clock and alarm settings during a power interruption but do not power the unit for operation.

1. Open the battery compartment cover on the bottom of the unit.
2. Insert 2 new AAA batteries, observing the correct polarity (+ and -) as indicated inside the compartment.
3. Close the battery compartment cover securely.

6.3 FM Antenna

For optimal FM radio reception, fully extend the wire antenna located at the back of the unit. Adjust its position for the best signal.

7. OPERATING INSTRUCTIONS

7.1 Setting the Clock Time

1. Press and hold the **TIME/MEM** button until the display starts flashing.
2. Press the **HR** button repeatedly to set the hour. Observe the PM indicator for correct AM/PM setting.
3. Press the **MIN** button repeatedly to set the minute.
4. Press the **TIME/MEM** button again to confirm and save the time. The display will stop flashing.

7.2 Setting Alarms (Alarm 1 and Alarm 2)

You can set two independent alarms.

1. Press and hold the **AL1/AL2** button. The display will show 'AL1' and the alarm time will flash.
2. Press the **HR** button to set the desired alarm hour for Alarm 1.
3. Press the **MIN** button to set the desired alarm minute for Alarm 1.
4. Press the **AL1/AL2** button again to select the wake-up source for Alarm 1. Repeated presses will cycle through:
 - a. **AL1-B (Buzzer)**: Wakes you with a standard buzzer sound.
 - b. **AL1-R (Radio)**: Wakes you to the last tuned radio station.
5. Press the **AL1/AL2** button a third time to confirm Alarm 1 settings. The 'AL1' indicator will light up on the display.
6. To set Alarm 2, repeat steps 1-5, but ensure 'AL2' is selected when pressing the **AL1/AL2** button. The 'AL2' indicator will light up.
7. To disable an alarm, press the **AL1/AL2** button repeatedly until the corresponding 'AL' indicator (AL1 or AL2) disappears from the display.

7.3 Radio Operation

1. Press the **ON/OFF** button to turn on the radio.
2. Press the **BAND** button to switch between AM and FM bands.
3. Use the **TUNE-** or **TUNE+** buttons to manually tune to a desired station. Press and hold these buttons for automatic scanning to the next available station.
4. Adjust the volume using the **AL.VOL-** or **AL.VOL+** buttons.

5. To save a radio station as a preset:
 - a. Tune to the desired station.
 - b. Press and hold the **TIME/MEM** button until 'P01' (or the next available preset number) flashes on the display.
 - c. Use the **TUNE-** or **TUNE+** buttons to select the desired preset number (P01-P10).
 - d. Press the **TIME/MEM** button again to confirm and save the preset.
6. To recall a preset station, briefly press the **TIME/MEM** button repeatedly to cycle through your saved presets.
7. Press the **ON/OFF** button to turn off the radio.

7.4 Sleep Timer Function

The sleep timer allows the radio to play for a set duration before automatically turning off.

1. While the radio is playing, press the **SLEEP/SNOOZE** button. The display will show the sleep timer duration (e.g., '90' for 90 minutes).
2. Repeatedly press the **SLEEP/SNOOZE** button to cycle through available sleep times (e.g., 90, 60, 30, 15 minutes, or OFF).
3. The radio will automatically turn off after the selected duration.

7.5 Snooze Function

When an alarm sounds, press the **SLEEP/SNOOZE** button to temporarily silence the alarm for 9 minutes. The alarm will sound again after the snooze period. To cancel the alarm completely, press the **ON/OFF** button.

8. MAINTENANCE

8.1 Cleaning

- Always unplug the unit from the power outlet before cleaning.
- Use a soft, dry cloth to wipe the exterior surfaces.
- Do not use abrasive cleaners, waxes, or solvents as they may damage the finish.

8.2 Battery Replacement

Replace the AAA backup batteries annually or if you notice settings are lost during brief power interruptions. Ensure correct polarity when replacing batteries.

9. TROUBLESHOOTING

If you experience issues with your HANNLOMAX HX-137CR, refer to the following common problems and solutions:

Problem	Possible Cause	Solution
Unit does not power on / Display is blank.	AC adapter not properly connected or power outlet is not active.	Ensure the AC adapter is securely plugged into both the unit and a working wall outlet. Test the outlet with another device.

Problem	Possible Cause	Solution
Alarm does not sound.	Alarm not set or disabled; alarm volume too low.	Verify that the AL1 or AL2 indicator is lit on the display. Check alarm time. Increase alarm volume using AL.VOL+ button.
Poor radio reception.	FM antenna not extended; interference; weak signal.	Fully extend and reposition the FM wire antenna. Try moving the unit to a different location away from other electronic devices.
Time/Alarm settings are lost after power outage.	Backup batteries are dead or not installed.	Install 2 new AAA batteries in the battery compartment, ensuring correct polarity.
Display is too bright.	The unit does not feature a dimmer function.	This model does not have a dimmable display. Consider placing the unit in a location where the brightness is less disruptive, or using a light-filtering film (not included).
Difficulty setting time/alarms.	Incorrect button sequence or timing.	Refer to sections 7.1 and 7.2 of this manual. Ensure you press and hold buttons for the required duration and release them at the correct times. Practice the steps carefully.

10. SPECIFICATIONS

Brand	HANNLOMAX
Model Number	HX-137CR
Display Type	Digital LED
LED Display Size	0.9 inches
Color	White-blue Led
Power Source	AC Operation Only
Battery Backup	2 x AAA batteries (not included) for memory backup
Radio Bands	PLL AM/FM
Alarm Functions	Dual Alarm (Wake to Buzzer or Radio)
Snooze Duration	9 minutes
Product Dimensions (W x H x D)	7.17" x 3.23" x (approx. 5.55" based on 141mm width)
Item Weight	1.19 pounds (approx. 540 grams)
Material	Acrylonitrile Butadiene Styrene (ABS)

UNIT DIMENSIONS

Length 180 mm x Width 141 mm x Height 80 mm

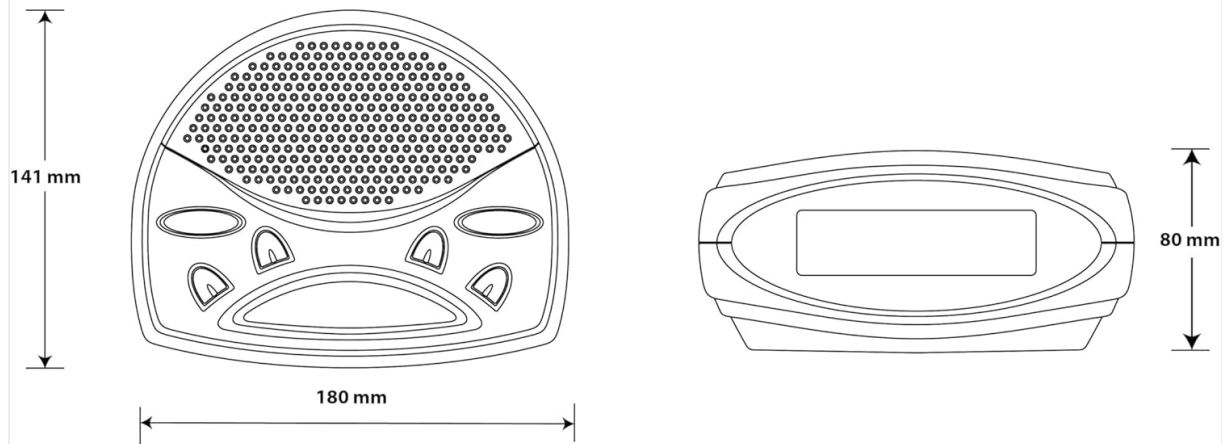


Image: Technical diagram illustrating the length, width, and height of the alarm clock radio unit.

11. WARRANTY AND SUPPORT

HANNLOMAX products are designed for reliability and performance. For specific warranty information, please refer to the warranty card included with your purchase or contact your retailer. If you encounter any issues or require technical support, please reach out to the customer service department of your place of purchase. Keep your purchase receipt as proof of purchase for any warranty claims.