

## Manuals+

[Q & A](#) | [Deep Search](#) | [Upload](#)

manuals.plus /

› [OLIGHT](#) /

› [OLIGHT Odin Tactical Flashlight User Manual](#)

## OLIGHT O-ODIN#

# OLIGHT Odin Tactical Flashlight User Manual

Model: O-ODIN# | Brand: OLIGHT

## 1. INTRODUCTION

---

The OLIGHT Odin is a powerful and versatile tactical flashlight designed for Picatinny rail mounting. It delivers an impressive 2,000 lumens of bright light with a beam distance of up to 300 meters. Featuring a robust aluminum body, a magnetic remote pressure switch, and convenient USB magnetic charging, the Odin is built for reliable performance in demanding environments.

## 2. SAFETY INFORMATION

---

- **Eye Safety:** Do not look directly into the light beam. The high intensity light can cause temporary vision impairment or permanent eye damage.
- **Children:** Keep out of reach of children. This is not a toy.
- **Disassembly:** Do not attempt to disassemble the flashlight or its components. This may void the warranty and cause damage.
- **Battery Safety:** Use only the specified OLIGHT customized battery. Improper battery use can lead to overheating, fire, or explosion.
- **Heat:** The flashlight may become hot during prolonged use at high output levels. Handle with care.

## 3. WHAT'S IN THE BOX

---

- Odin Tactical Flashlight (Battery Included) x 1
- Picatinny Rail Mount Adapter x 1
- ROD-7 Magnetic Remote Switch (with Stand) x 1
- MCC3 USB Magnetic Charging Cable x 1
- H2.5 Allen Wrench x 1
- Adjustable Screw x 2
- Self-locking Band x 2
- User Manual x 1



Figure 1: Contents of the OLIGHT Odin package.

## 4. SETUP

---

### 4.1 Battery Installation

Before first use, unscrew the tailcap and remove the yellow insulating film from the battery. Ensure the battery is inserted with the positive (+) end facing towards the flashlight head.

### 4.2 Charging

The Odin uses the MCC3 USB magnetic charging cable. Attach the magnetic end of the cable to the tailcap of the flashlight. The indicator light on the charging cable will show red during charging and turn green when fully charged. A full charge can take approximately 4-5 hours.

# DEPENDABLE RELIABILITY FOR TACTICAL USE

Features an innovative rotate-to-lock system.  
Two mounting slots in one rail mount for your preferred position

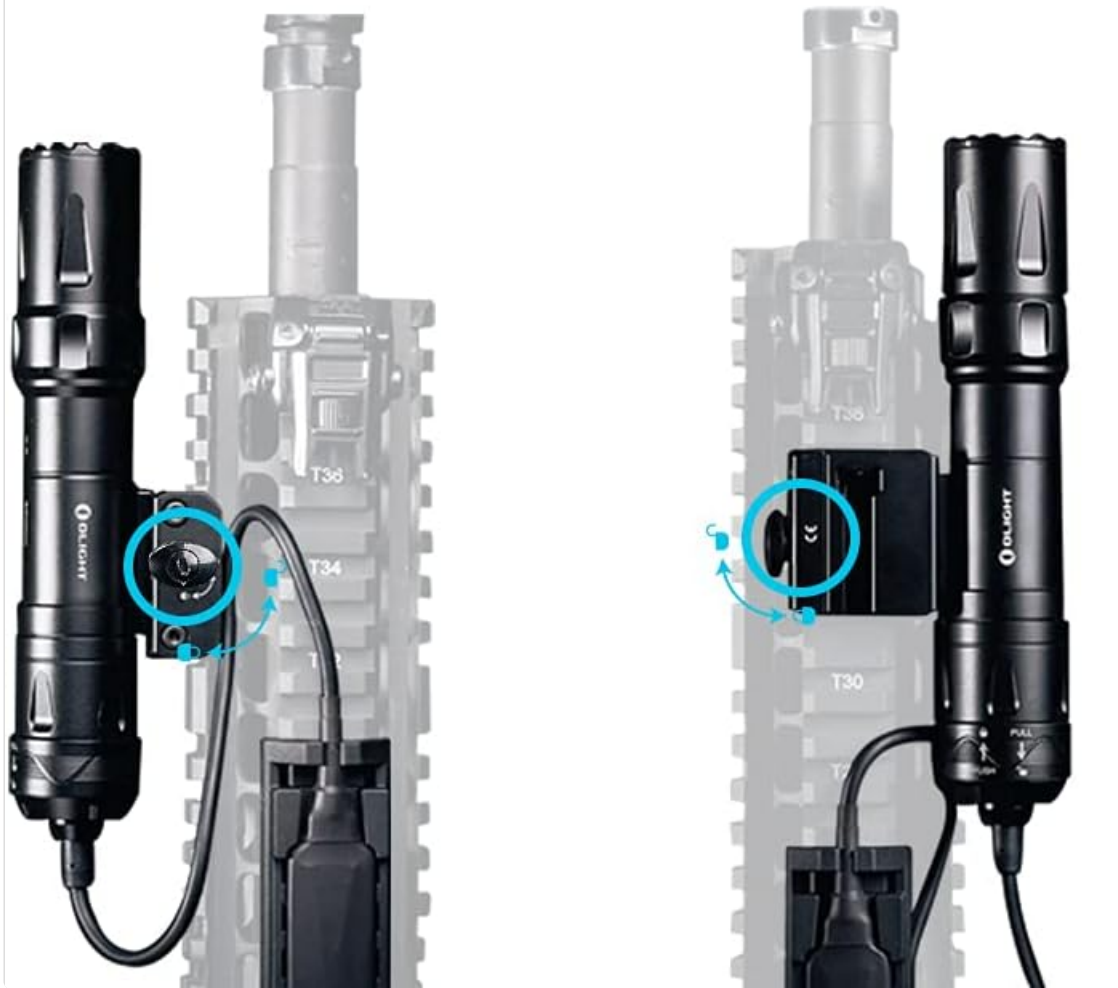


Figure 2: Attaching the MCC3 magnetic charging cable to the tailcap.

## 5. OPERATING INSTRUCTIONS

---

### 5.1 Tail Switch Operation

The multifunctional tail switch allows for intuitive control:

- **Momentary On (Low):** Lightly press and hold the tail switch for momentary low output. Release to turn off.
- **Momentary On (High):** Firmly press and hold the tail switch for momentary high output. Release to turn off.
- **Constant On (Low):** Lightly press and quickly release the tail switch for constant low output. Press again to turn off.
- **Constant On (High):** Firmly press and quickly release the tail switch for constant high output. Press again to turn off.

# INTUITIVE THREE-IN-ONE TAILCAP

Magnetic charging, directly tactical operation and remote controlling by unique tailcap with ease. Dual high and low output to adapt to tactical expeditions.



Figure 3: Tailcap functionality for different light outputs.

## 5.2 Remote Pressure Switch Operation

The magnetic remote pressure switch provides convenient control when mounted. It attaches magnetically to the tailcap and features a locking function for a secure connection. The pressure switch mirrors the tail switch's momentary and constant-on functions.

# EVERYTHING YOU NEED TO MOUNT OPERATE AND CHARGE



Figure 4: Remote pressure switch locking mechanism.

Video 1: Demonstration of the Olight Odin's mounting and remote switch features.

## 6. MOUNTING

The OLIGHT Odin is specifically designed for secure attachment to Picatinny rails. It features a removable slide rail mount with a mechanical lock for reliable operation. The mount also offers two slots for flexible positioning of the flashlight.

- **Attaching the Mount:** Use the provided H2.5 Allen wrench and adjustable screws to securely fasten the Picatinny rail mount adapter to your rail.
- **Attaching the Flashlight:** Slide the flashlight into the mount until it clicks into place. The mechanical lock ensures a firm hold.
- **Removing the Flashlight:** Press the quick-release button on the mount to easily detach the flashlight for handheld use or charging.



Figure 5: OLIGHT Odin with Picatinny rail mount and remote pressure switch.

## SIMPLICITY WITH DOUBLED SECURITY

Original and unique detent mechanism coupled with magnetic attachment. Extremely stable and simple to use. Keeps you safe and in command at all times.



Figure 6: The innovative rotate-to-lock system allows for flexible positioning.

## 7. MAINTENANCE

---

To ensure optimal performance and longevity of your OLIGHT Odin flashlight, follow these maintenance guidelines:

- **Cleaning:** Wipe the flashlight body with a clean, soft cloth. For stubborn dirt, use a damp cloth. Avoid harsh chemicals or abrasives.
- **Threads and O-rings:** Periodically lubricate the threads and O-rings with silicone grease to maintain water resistance.
- **Battery Care:** Store the battery separately if the flashlight will not be used for an extended period. Recharge the battery every 3-6 months to maintain its health.
- **Contacts:** Keep the electrical contacts on the tailcap and flashlight head clean to ensure proper connection and charging.

## 8. TROUBLESHOOTING

---

If you encounter issues with your OLIGHT Odin, refer to the following common troubleshooting steps:

- **Flashlight Not Turning On:**
  - Ensure the yellow insulating film has been removed from the battery.
  - Check if the battery is fully charged.
  - Verify the tailcap is screwed on tightly.
  - Clean the battery contacts and tail switch with a clean cloth.
- **Charging Indicator Not Working:**
  - Ensure the MCC3 charging cable is properly connected to a working USB power source.
  - Check the magnetic connection between the cable and the tailcap.
  - Clean the charging contacts on the tailcap.
- **Remote Pressure Switch Not Responding:**
  - Ensure the remote switch is securely attached and locked to the tailcap.
  - Check the cable for any visible damage.

If the issue persists after trying these steps, please contact OLIGHT customer support for further assistance.

## 9. SPECIFICATIONS

---

Feature	Specification
Brightness	2000 Lumens (Max)
Beam Distance	300 Meters (984 Feet)
Runtime	8 hours (Max)
Power Source	Battery Powered (1 Lithium Ion battery included)
Material	Aluminum
Color	Black

Feature	Specification
Product Dimensions	1.14"D x 1.05"W x 5.37"H
Item Weight	0.47 Pounds (7.5 ounces)
Water Resistance Level	Water Resistant

## 10. WARRANTY AND SUPPORT

---

OLIGHT provides a lifetime warranty for products purchased after January 1st, 2023. This warranty covers defects in materials and workmanship under normal use.

For detailed warranty information, product support, or to download the official user manual PDF, please visit the [OLIGHT Store on Amazon](#) or refer to the official user guide: [User Manual \(PDF\)](#).