



Manuals.plus /

› XPPen /

› XPPen Deco Pro Medium Graphics Tablet User Manual

XPPen Deco Pro Medium

XPPen Deco Pro Medium Graphics Tablet User Manual

Model: Deco Pro Medium

1. INTRODUCTION

This manual provides detailed instructions for setting up, operating, and maintaining your XPPen Deco Pro Medium Graphics Tablet. Please read this manual thoroughly to ensure proper use and to maximize the performance of your device.

2. WHAT'S IN THE BOX

Upon unboxing your XPPen Deco Pro Medium, you should find the following items:

- XPPen Deco Pro Medium Graphics Tablet
- Battery-Free Stylus
- Pen Holder (contains replacement nibs)
- USB-C to USB-A Cable
- USB-A to USB-C Adapter
- USB-A to Micro USB Adapter
- Drawing Glove
- Quick Guide
- Warranty Policy



Image: All components included with the XPPen Deco Pro Medium graphics tablet.

Your browser does not support the video tag.

Video: An overview of the XPPen Deco Pro Medium graphics tablet and its included accessories.

3. SETUP GUIDE

3.1 Connecting the Tablet

1. Connect the USB-C end of the provided cable to the port on the XPPen Deco Pro Medium tablet.
2. Connect the USB-A end of the cable to an available USB port on your computer.
3. For devices with USB-C or Micro USB ports, use the appropriate adapter provided to connect the USB-A end of the cable.
4. Ensure the connection is secure. The tablet's indicator lights will illuminate upon successful connection.



Image: The graphics tablet connected to a laptop, demonstrating a typical setup.

3.2 Driver Installation

For optimal performance and customization, it is recommended to install the latest drivers from the official XPPen website. The tablet is compatible with Windows 10/8/7, Mac OS 10.10 or above, and Android devices 6.0 or above.

- Visit the official XPPen support website.
- Download the driver specific to your operating system and Deco Pro Medium model.
- Follow the on-screen instructions to complete the installation.
- Restart your computer after installation if prompted.

Simply Works



Image: The tablet showcasing compatibility with various operating systems and creative software.

4. OPERATING THE TABLET

4.1 Active Drawing Area

The Deco Pro Medium features an 11x6 inch active drawing space. This area is where your stylus input is registered. Ensure your hand is positioned comfortably to utilize the full drawing surface.

Demension

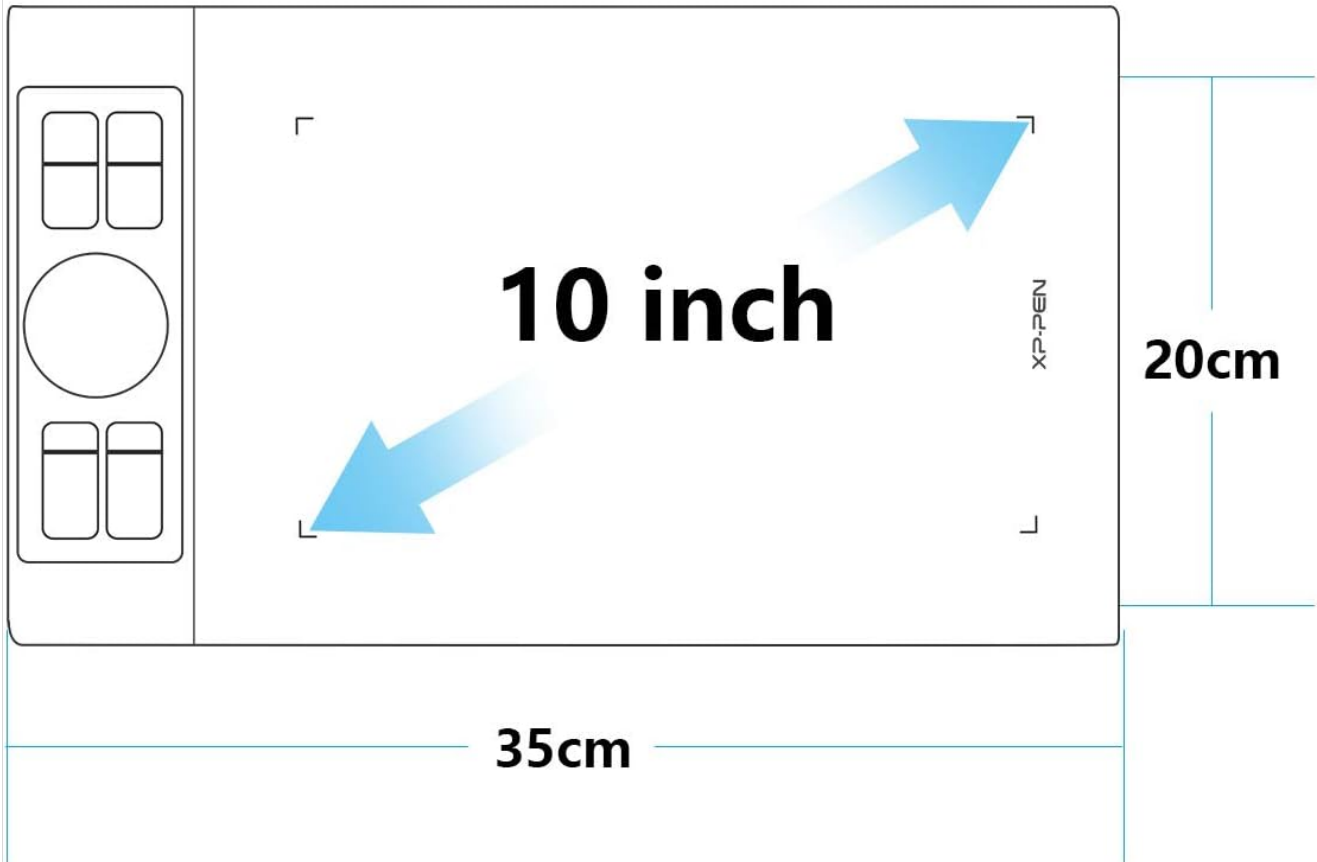


Image: A diagram illustrating the 11x6 inch active drawing area of the tablet.

4.2 Battery-Free Stylus

The included stylus is battery-free and offers 8192 levels of pressure sensitivity, allowing for precise control over line weight and opacity. It also supports up to 60 degrees of tilt function for natural shading effects.

To Draw with Passion

- 8192 Pressure**
- 60 Degree Tilt**
- Charge-free**



Image: The battery-free stylus in use, demonstrating pressure sensitivity and tilt functionality.

4.3 Dual Wheel Design and Trackpad Functionality

The tablet features an innovative dual wheel design. The outer mechanical wheel allows for smooth adjustments like zooming in/out or changing brush size. The inner virtual wheel functions as a trackpad or mouse mode for seamless scrolling and additional actions. These can be used simultaneously with 4 shortcuts for enhanced workflow.

The Wheel Works Like A Trackpad



Image: A detailed view of the dual wheel and its trackpad capabilities.

4.4 Customizable Express Keys

Eight customizable express keys and two dial wheels are located on the side of the tablet. These can be programmed through the driver software to perform frequently used functions or shortcuts, such as eraser, undo, or brush selection, streamlining your creative process.

Work Faster with Shortcut Keys

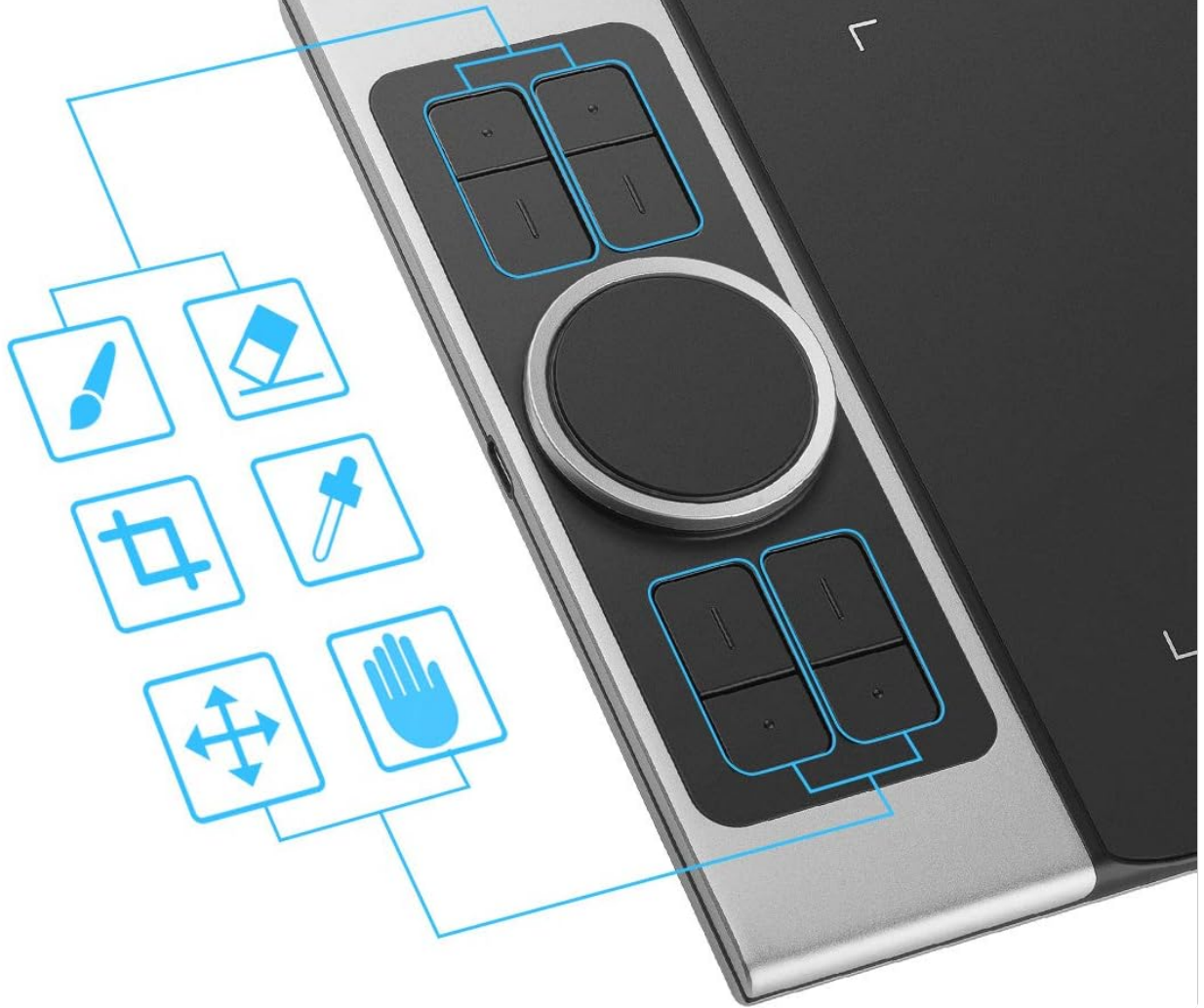


Image: The customizable express keys and their typical assignments for efficient workflow.

5. MAINTENANCE

5.1 Replacing Stylus Nibs

The pen holder contains several replacement nibs. If the tip of your stylus becomes worn or damaged, gently pull out the old nib using the included nib remover tool (often found within the pen holder itself) and insert a new one until it is secure.

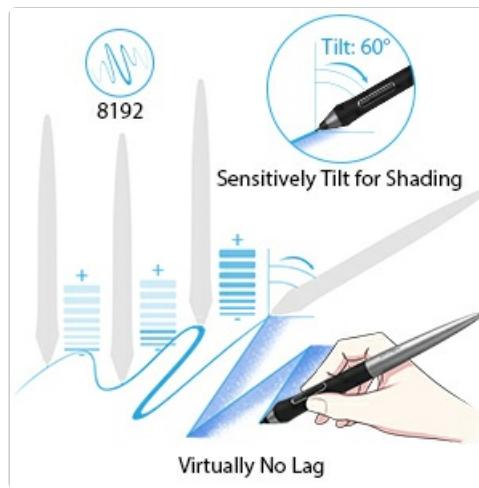


Image: The stylus and its replaceable nib, emphasizing its design.

5.2 Using the Drawing Glove

The provided drawing glove is designed to cover the last two fingers of your hand. This prevents accidental input or smudging on the tablet surface while you are drawing, ensuring a smooth and uninterrupted creative experience.

6. TROUBLESHOOTING

6.1 Tablet Not Responding

- **Check Connections:** Ensure the USB cable is securely connected to both the tablet and your computer/device. Try a different USB port.
- **Restart Device:** Restart your computer or Android device.
- **Reinstall Drivers:** If using a computer, uninstall and reinstall the latest drivers from the XPPen website.
- **Test on Another Device:** If possible, test the tablet on another compatible computer or Android device to determine if the issue is with the tablet or your primary device.

6.2 Stylus Not Working

- **Check Nib:** Ensure the stylus nib is properly inserted and not broken. Replace if necessary.
- **Driver Issues:** Verify that the tablet drivers are correctly installed and up-to-date.
- **Interference:** Ensure no other electronic devices are causing interference near the tablet.

6.3 Cursor Offset or Inaccurate

- **Recalibrate:** Use the driver software to recalibrate the working area and pen.
- **Monitor Resolution:** Ensure your monitor's resolution settings are correctly configured in your operating system.

7. SPECIFICATIONS

Feature	Detail
Brand	XPPen
Model Name	Deco Pro Medium
Connectivity Technology	USB
Pressure Sensitivity	8192 Levels
Operating System Compatibility	Windows, Android, Mac OS 10.10 or above
Active Surface Area	11 inches x 6 inches
Native Resolution	5080 LPI
Item Weight	1 Kilograms
Special Feature	Durable
Color	Black

8. WARRANTY AND SUPPORT

8.1 Warranty Information

The XPPen Deco Pro Medium Graphics Tablet comes with a **1-year warranty**. Please refer to the included Warranty Policy document for full terms and conditions regarding coverage and claims.

8.2 Customer Support

For technical assistance, driver downloads, or further inquiries, please visit the official XPPen support website or contact their customer service. Contact details can be found in your Warranty Policy or on the XPPen official website.